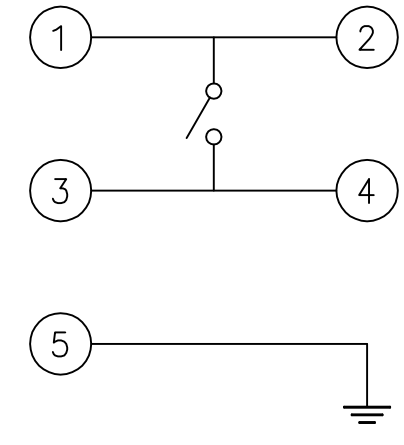
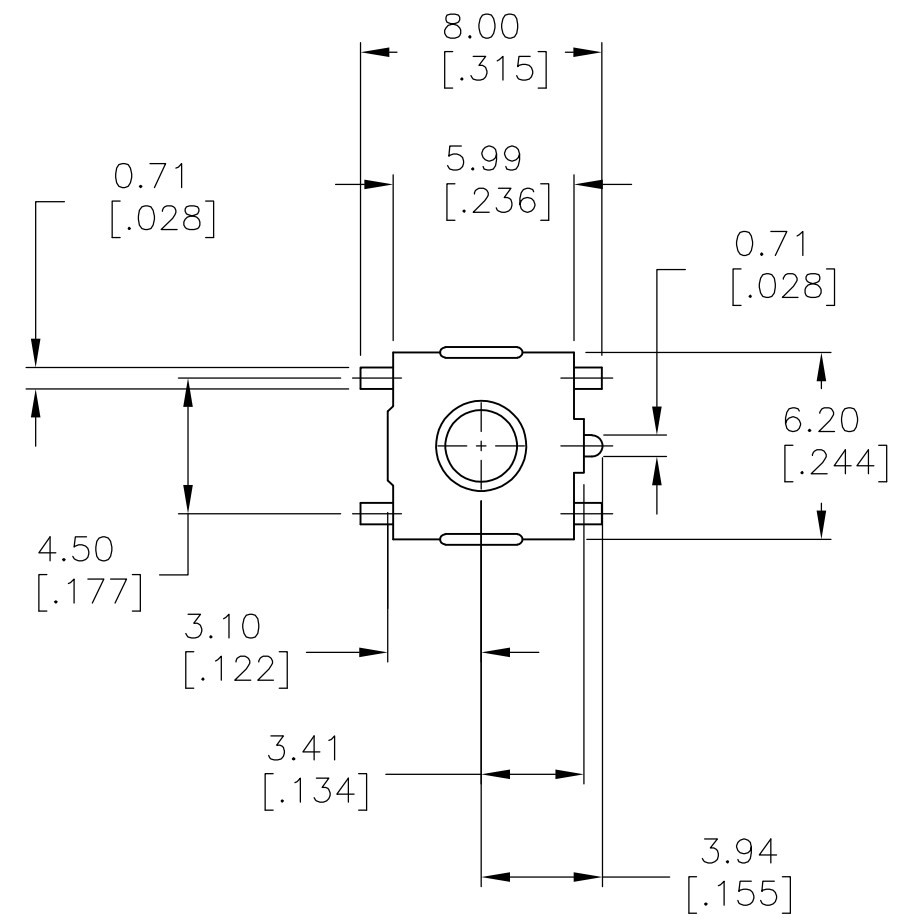


THIS DRAWING IS UNPUBLISHED. RELEASED FOR PUBLICATION
 © COPYRIGHT - By - ALL RIGHTS RESERVED.

LOC		DIST		REVISIONS			
P	LTR	DESCRIPTION		DATE	DWN	APVD	
AD	00	E		REVISED PER ECO-15-016664	23NOV2015	NK	RH



CIRCUIT DIAGRAM

SPECIFICATIONS:

CASE: PPS, 94V0, BLACK.
 COVER: COPPER ALLOY-TIN PLATE.
 ACTUATOR BUTTON: SEE TABLE, COLOR: SEE TABLE.
 MOVING CONTACT: COPPER ALLOY, SILVER FINISH.
 FIXED CONTACT/TERMINAL: COPPER ALLOY, SILVER FINISH.

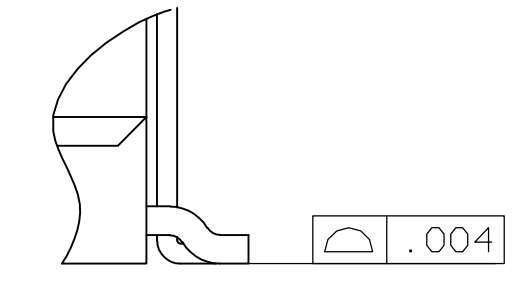
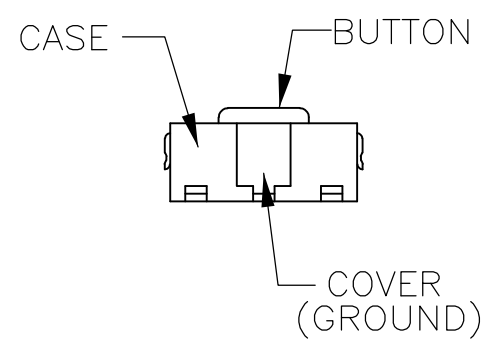
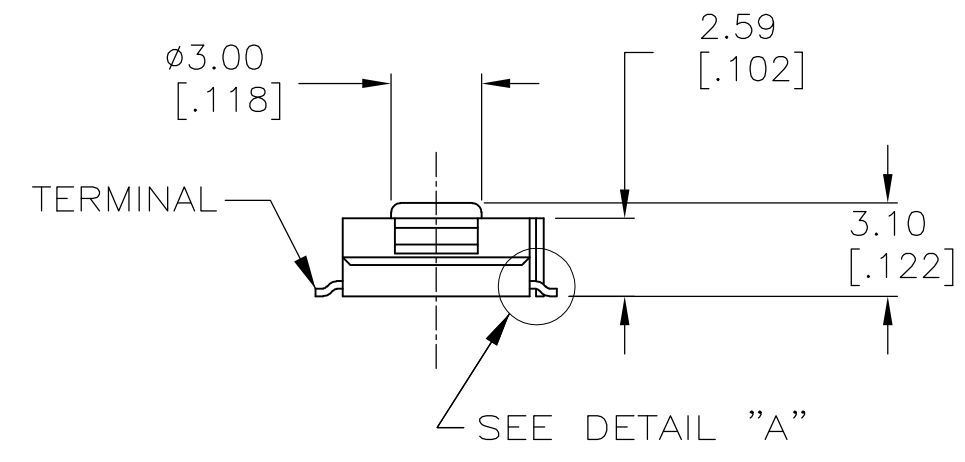
ELECTRICAL:
 MAX CONTACT RATING: 50MILLIAMPS@24V DC
 MIN CONTACT RATING: 10MICROAMPS@1V DC
 CONTACT RESISTANCE: 100 MILLIOHMS MAX.
 INSULATION RESISTANCE: 100 MEGOHMS MIN. @ 100 VDC.
 DIELECTRIC STRENGTH: 500 VAC 50/60 HZ FOR 1 MINUTE
 LIFE EXPECTANCY: 100,000 CYCLES.

MECHANICAL:
 ACTUATION FORCE: SEE CHART.
 ACTUATION TRAVEL: 0.25 +0.20/-0.10 [.010 +.008/-0.004]

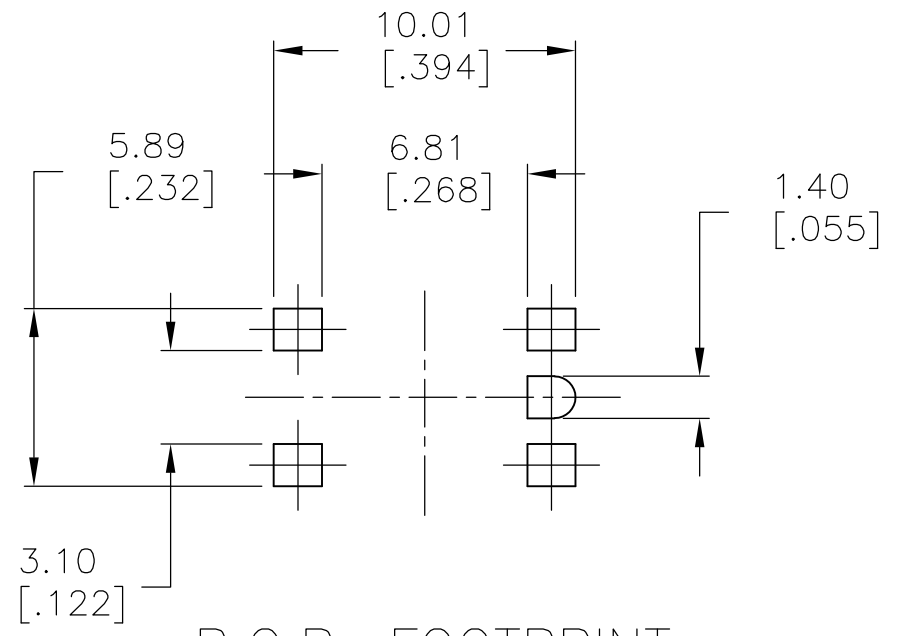
ENVIRONMENTAL:
 OPERATING TEMPERATURE: -35°C TO +85°C
 STORAGE TEMPERATURE: -35°C TO +85°C
 SOLDER HEAT RESISTANCE PER 109-201, COND B.

SOLDERABILITY:
 SPECIFICATION EIA-364-52, CLASS 1, CATEGORY 2

- ALL MATERIALS AND FINISHES SHALL COMPLY WITH EU DIRECTIVE 2002/95/EC OF 27JAN2003 (ROHS)
- TAPE AND REEL PACKAGING PER EIA-481



DETAIL "A"
 SCALE 15:1



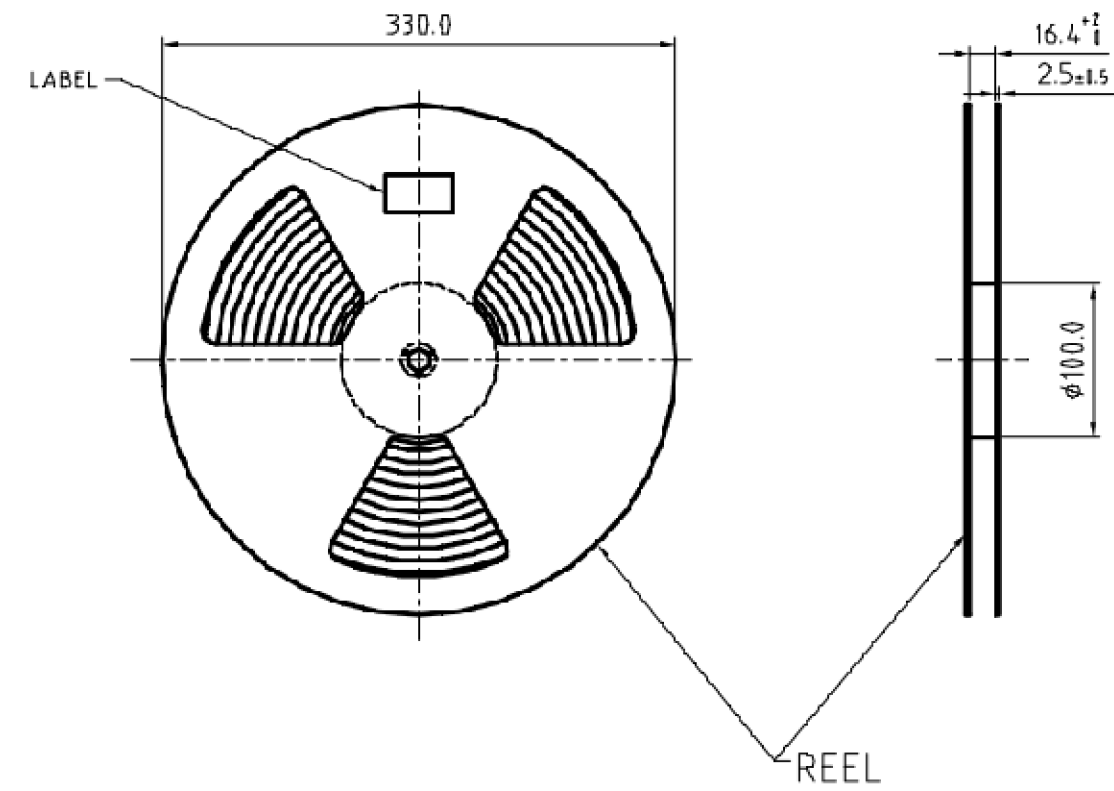
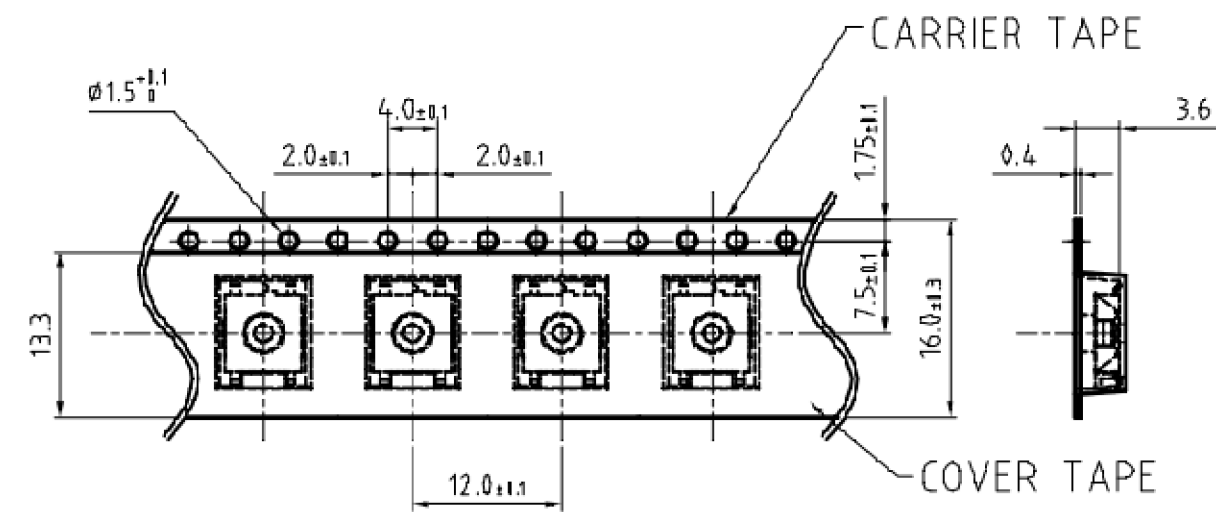
P.C.B. FOOTPRINT

PART NUMBER	PART NUMBER	ACTUATOR MATERIAL	ACTUATOR BUTTON COLOR	ACTUATION FORCE	PACKAGING
1-1437565-6	FSM1LP	PPA UL94HB	BLACK	160±50 gm.	BULK
1-1437565-9	FSM1LPTR	PPA UL94HB	BLACK	160±50 gm.	TAPE & REEL
1-1437565-7	FSM1LPA	PPS UL94V-0	BROWN	260±50 gm.	BULK
1-1437565-8	FSM1LPATR	PPS UL94V-0	BROWN	260±50 gm.	TAPE & REEL

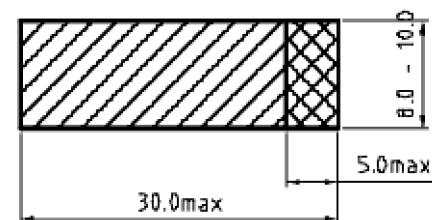
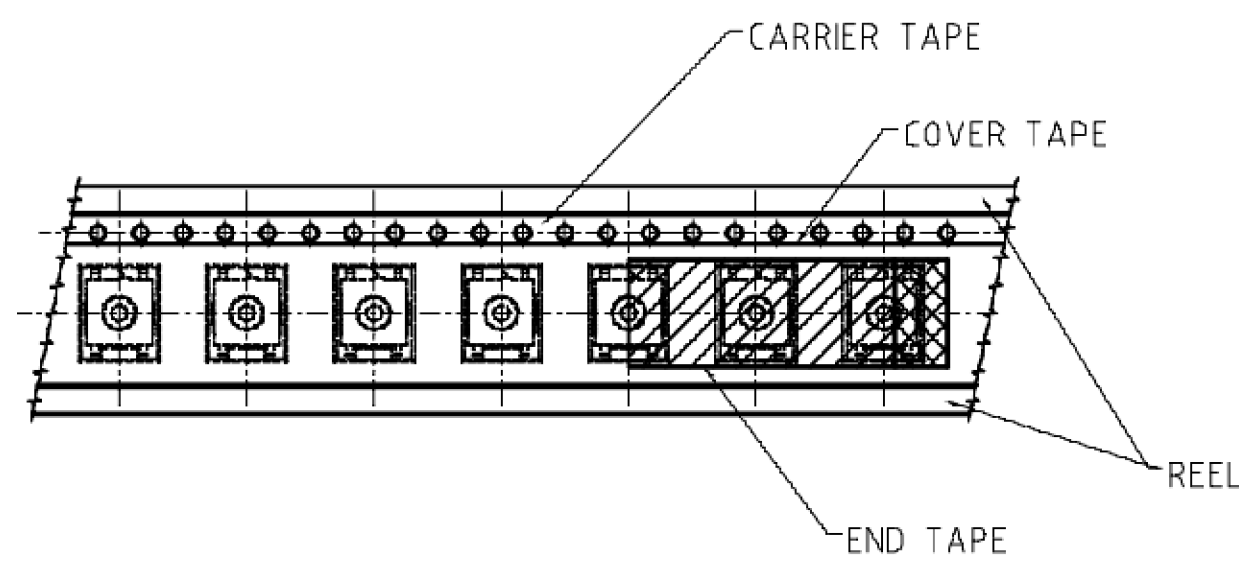
THIS DRAWING IS A CONTROLLED DOCUMENT.		DWN M. BINNER 13MAR2007	STE TE Connectivity	
DIMENSIONS: mm [INCHES]		CHK M. SARVER 20MAR2007		
TOLERANCES UNLESS OTHERWISE SPECIFIED:		APVD M. SARVER 20MAR2007	NAME TACTILE SWITCH FSM1LP	
0 PLC ± - 1 PLC ± - 2 PLC ± 0.30[.012] 3 PLC ± - 4 PLC ± - ANGLES ± -		PRODUCT SPEC -	RESTRICTED TO	
MATERIAL -		FINISH -	WEIGHT -	SIZE A2
		CAGE CODE 00779		DRAWING NO 1-1437565-8
		CUSTOMER DRAWING		SCALE 4:1
		SHEET 1 of 2		REV E

THIS DRAWING IS UNPUBLISHED. RELEASED FOR PUBLICATION
 © COPYRIGHT - By - ALL RIGHTS RESERVED.

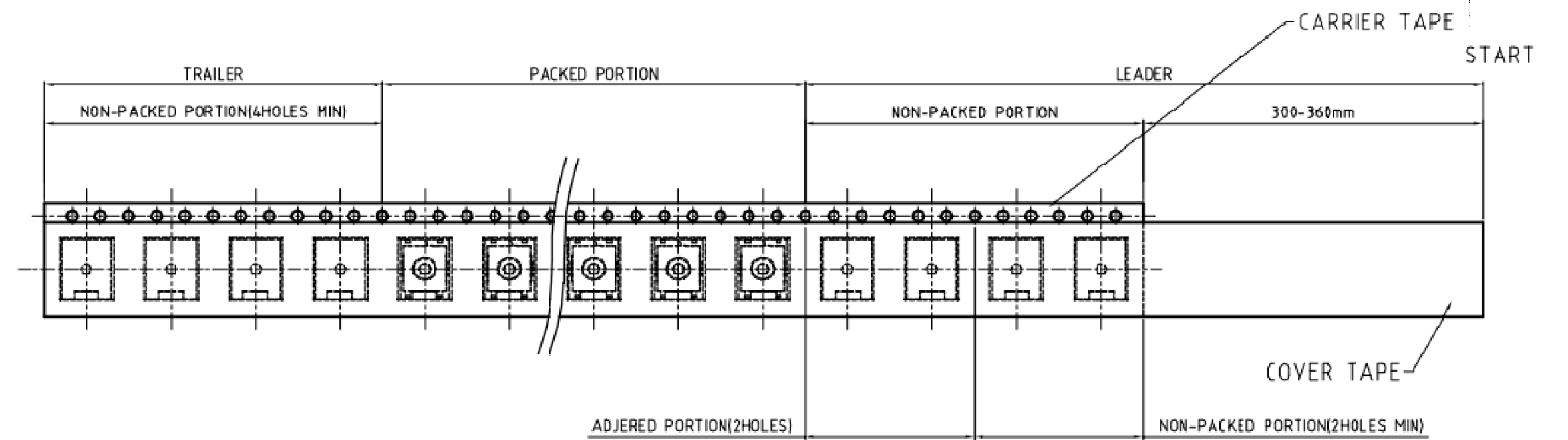
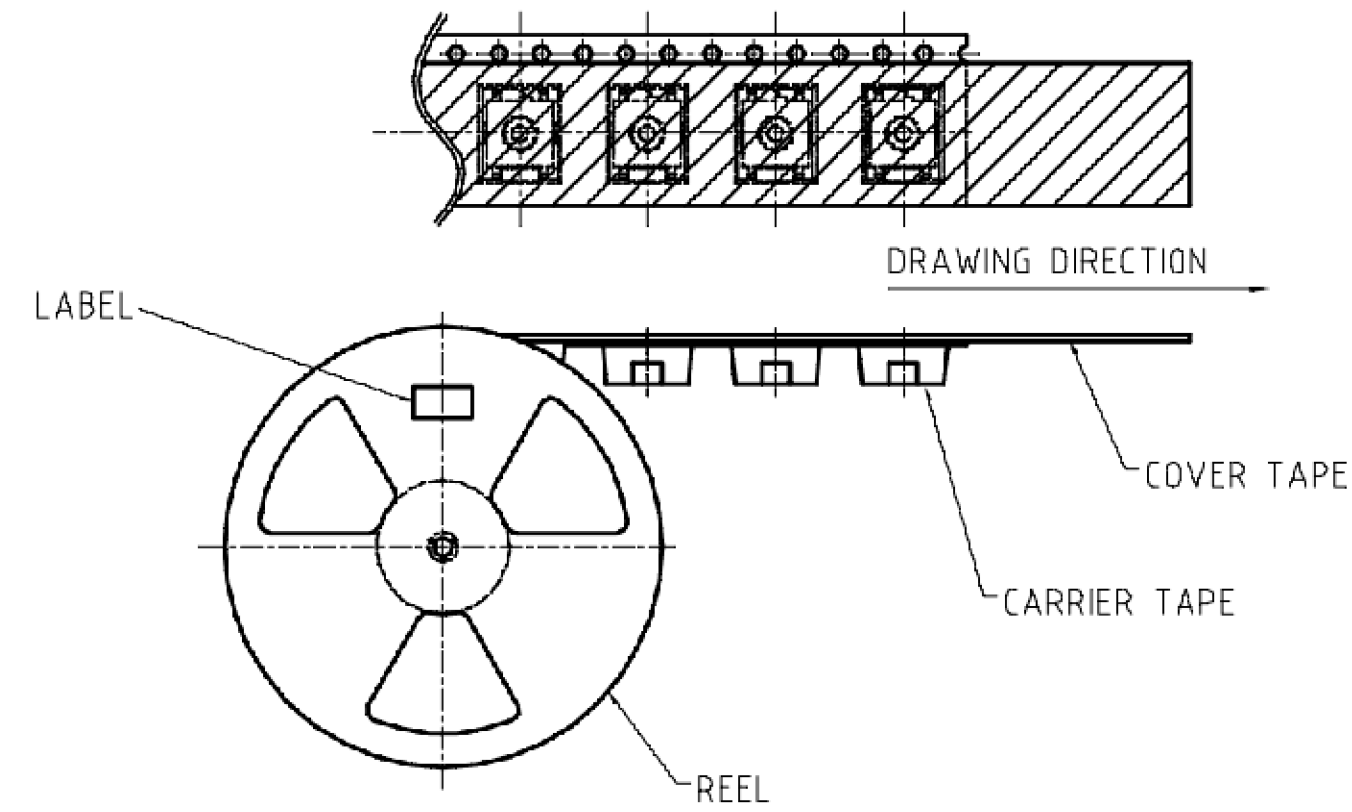
LOC		DIST		REVISIONS			
P	LTR	DESCRIPTION	DATE	DWN	APVD		
AD	00	SEE SHEET 1	-	-	-		



-THE DIMENSION OF CARRIER TAPE, COVER TAPE AND REEL-



-END TAPE-



THIS DRAWING IS A CONTROLLED DOCUMENT.		DWN	M.BINNER	13MAR2007	 TE Connectivity	TACTILE SWITCH	
DIMENSIONS:		CHK	M.SARVER	20MAR2007		FSM1LP	
mm [INCHES]		APVD	M.SARVER	20MAR2007		SIZE	A2
TOLERANCES UNLESS OTHERWISE SPECIFIED: 0 PLC ± - 1 PLC ± - 2 PLC ± 0.30[.012] 3 PLC ± - 4 PLC ± - ANGLES ± - FINISH -		PRODUCT SPEC	NAME			CAGE CODE	00779
MATERIAL		APPLICATION SPEC	DRAWING NO		DRAWING NO	1-1437565-8	RESTRICTED TO
		WEIGHT	CUSTOMER DRAWING		SCALE	4:1	SHEET
						2	OF 2
							REV
							E

X-ON Electronics

Largest Supplier of Electrical and Electronic Components

Click to view similar products for [Tactile Switches](#) category:

Click to view products by [TE Connectivity](#) manufacturer:

Other Similar products are found below :

[5GTH92001](#) [1-1977120-4](#) [ADTSA62NV](#) [ADTSA62RV](#) [ADTSA63KV](#) [ADTSA644NV](#) [ADTSMW66NV](#) [ADTSMW67RV](#) [B3F-3123](#) [B3F-6055A](#) [B3F-B32-01-KIT](#) [1977177-8](#) [1977266-1](#) [ADTS644KV](#) [ADTSA61RV](#) [ADTSA62KV](#) [ADTSA63NV](#) [ADTSA63RV](#) [ADTSM21NSVTR](#) [ADTSM32NVTR](#) [ADTSM63SVTR](#) [ADTSM644KVTR](#) [ADTSMW64RV](#) [ADTSMW69NV](#) [FSMRA4JHA04](#) [GS4.70F300QP](#) [3ESH9R](#) [506E00201](#) [MJTP1164TR](#) [3FTL600RAS](#) [3FTL640RAS](#) [Y96K132V0FPLFS](#) [101-TS5022T1601-EV](#) [5GSH92001](#) [KSJ0A231](#) [80SH LFG](#) [ADTSM31NVTR](#) [EVQ-P1D05K](#) [MJTP1162TR](#) [ADTSM63KV](#) [2-1977120-7](#) [TSJW-5.2-260-TR](#) [KMT011MNGJLHS](#) [B3WN6002S](#) [ADTSA648RV](#) [70-201.0](#) [ADTSG648NV](#) [ADTSM62KSVTR](#) [ATA600VTR](#) [ADTSG66RV](#) [ADTS61NV](#)