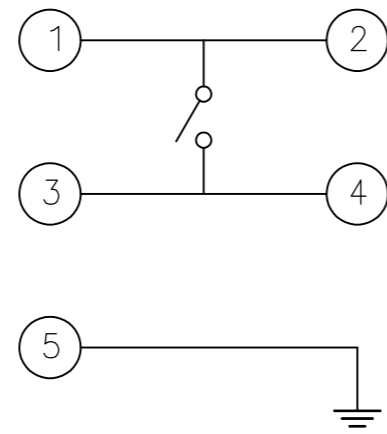
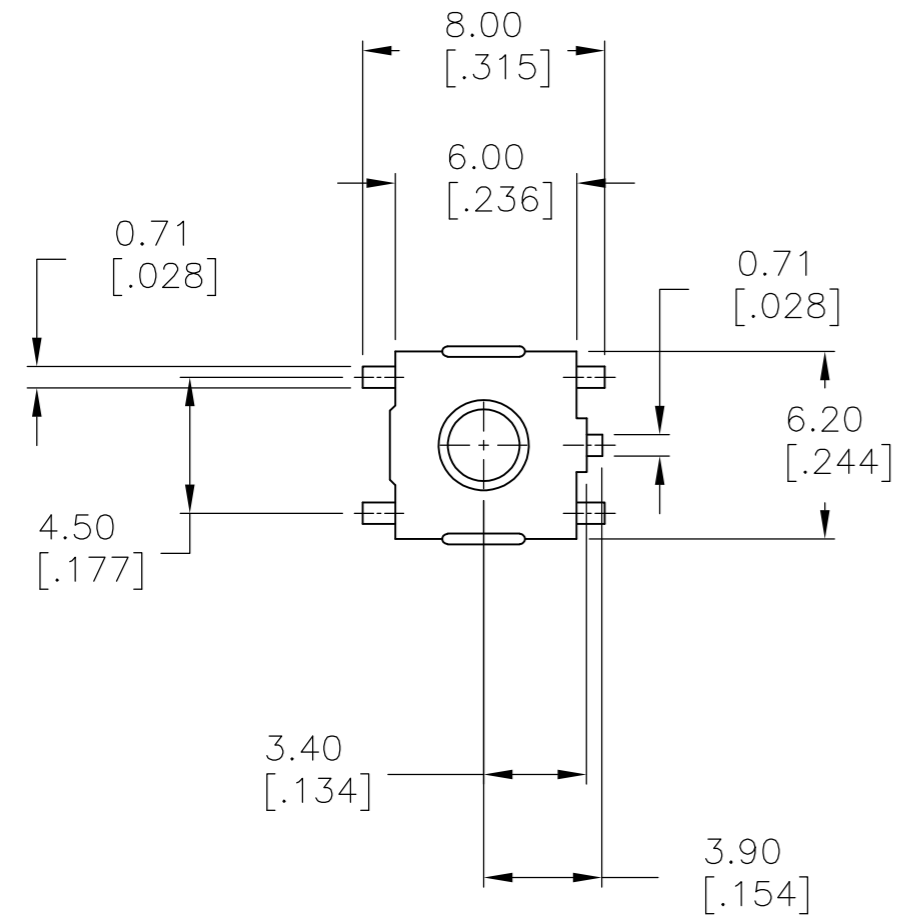
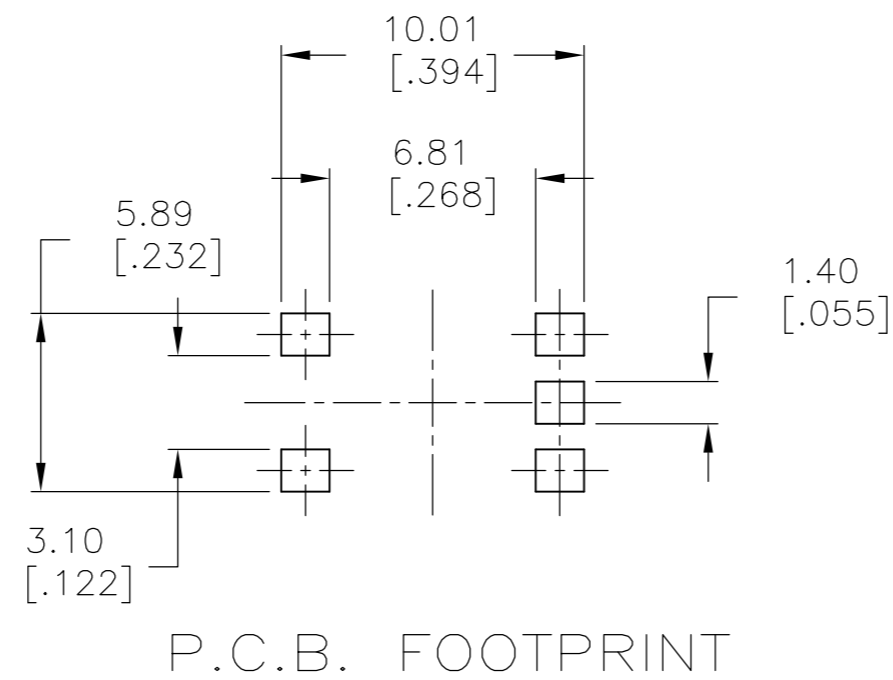
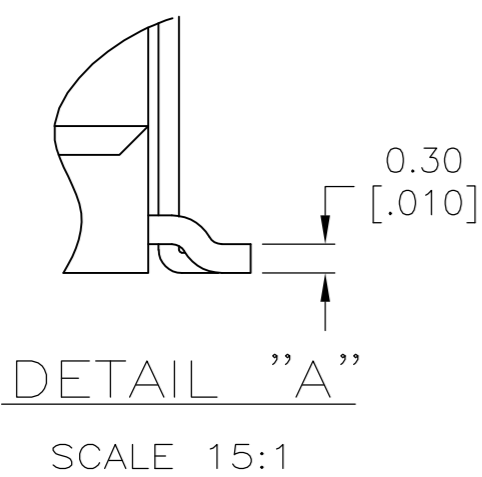
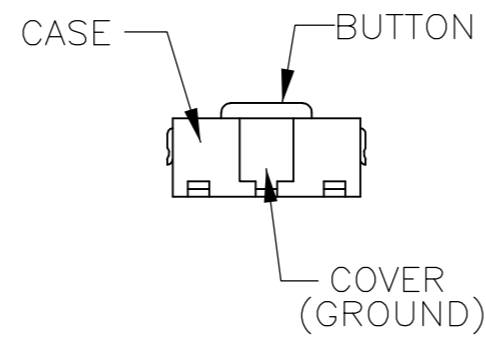
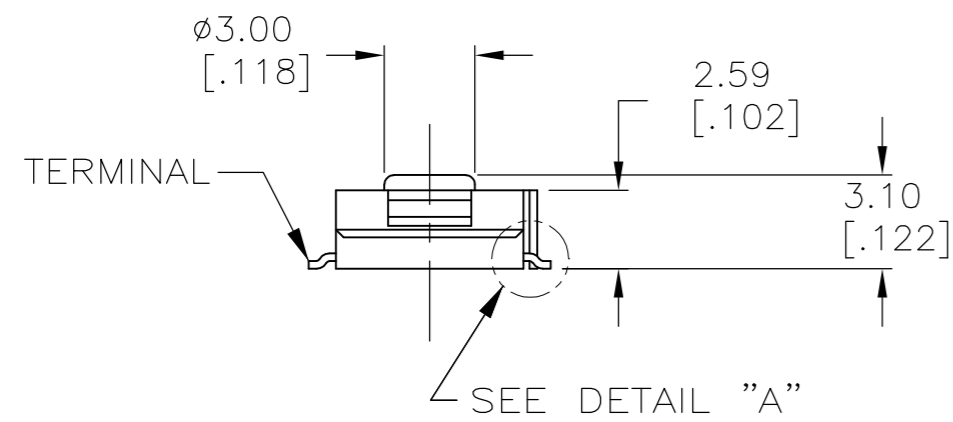


THIS DRAWING IS UNPUBLISHED. RELEASED FOR PUBLICATION
 © COPYRIGHT - By - ALL RIGHTS RESERVED.

LOC		DIST		REVISIONS			
P	LTR	DESCRIPTION		DATE	DWN	APVD	
AD	00	A4	REVISED PER ECO-14-014370	23SEP2014	NK	RH	



CIRCUIT DIAGRAM



SPECIFICATIONS:

MATERIALS:

CASE, NYLON 46 UL94 V-0, IVORY
 ACTUATOR, NYLON PA6T UL94V-0, SEE P/N TABLE FOR FINISH
 COVER, COPPER ALLOY, TIN FINISH
 TERMINAL/FIXED CONTACT, COPPER ALLOY-SILVER FINISH
 MOVING CONTACT, STAINLESS STEEL-SILVER FINISH

ELECTRICAL:

MAX CONTACT RATING, 50MILLIAMP@24V DC
 MIN CONTACT RATING, 1MICROAMP@1V DC
 CONTACT RESISTANCE, 100 MILLIOHMS MAX
 INSULATION RESISTANCE, 100 MEGOHM MIN.
 DIELECTRIC STRENGTH, 500 V AC FOR 1 MINUTE
 LIFE EXPECTANCY, 1,000,000 CYCLES

MECHANICAL:

ACTUATION FORCE, SEE P/N TABLE
 ACTUATION TRAVEL, 0.25 +0.20/-0.10
 LIFE EXPECTANCY, 1,000,000, (2 CYCLES PER SECOND AND 150% ACTUATION FORCE)

ENVIRONMENTAL:

OPERATING TEMPERATURE, -40 TO +105° C
 STORAGE TEMPERATURE, -40 TO +105° C
 SOLDERABILITY, EIA-RS-186-9E, OR MIL-STD-202F
 RESISTANCE TO SOLDER HEAT, 260° C FOR 10SEC-PER 109-201, CONDITION B
 1. NO CHANGE IN INITIAL ELECTRICAL AND MECHANICAL CHARACTERISTICS

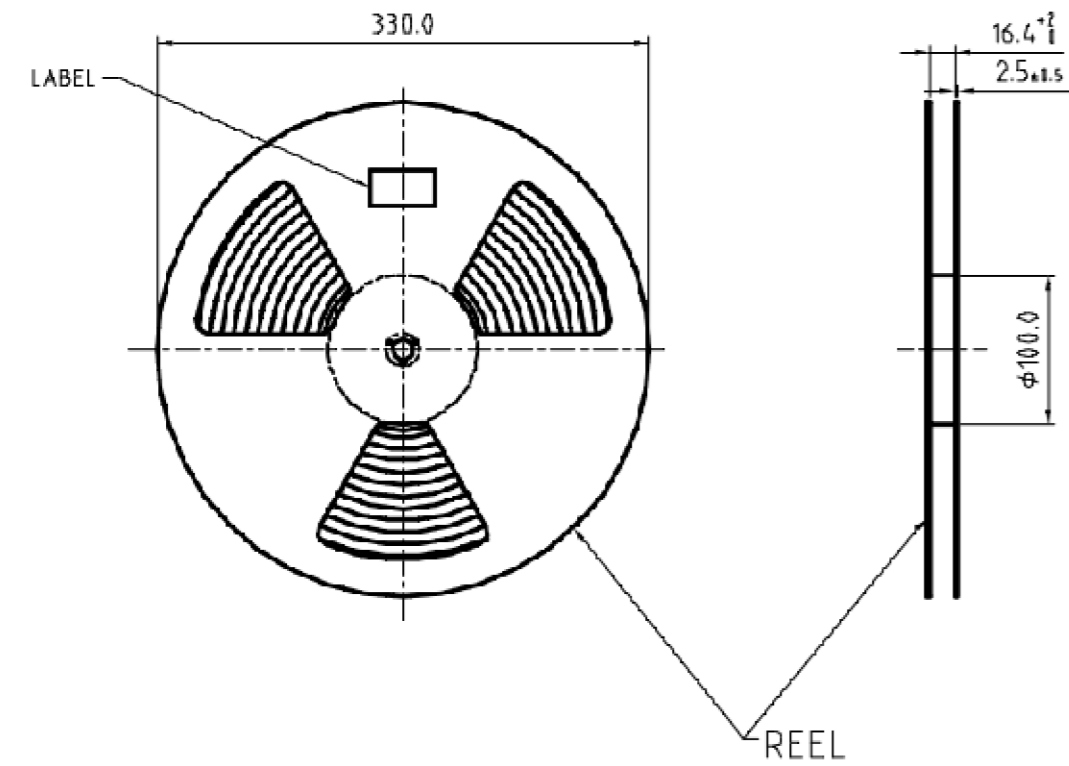
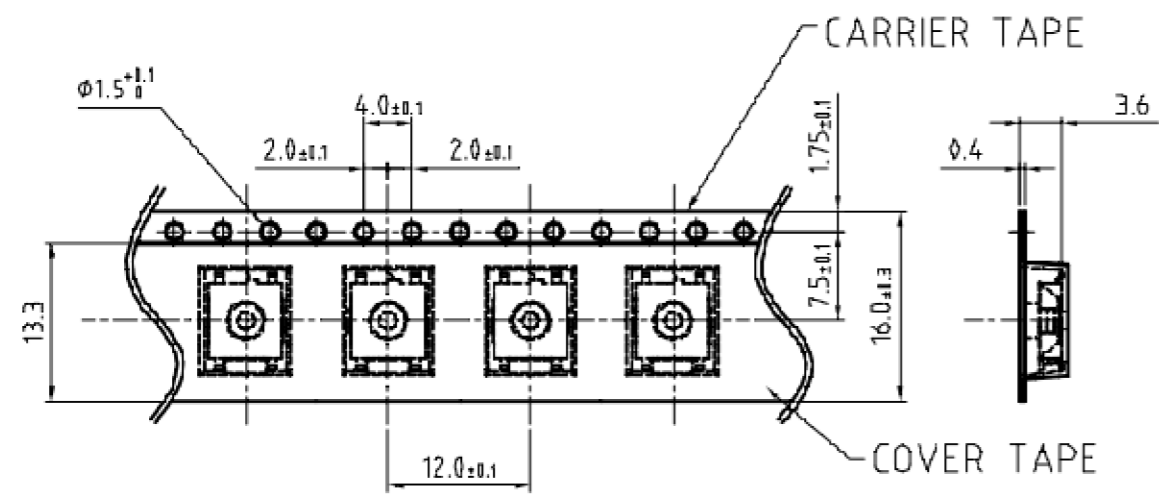
- ALL MATERIALS AND FINISHES SHALL COMPLY WITH EU DIRECTIVE 2002/95/EC OF 27JAN2003 (ROHS)
- TAPE AND REEL PACKAGING PER EIA-481

1,000,000	PINK	260 +/-50g	12 MM	16 MM	FSM1LPASTR	1977263-4
1,000,000	PINK	260 +/-50g			FSM1LPAS	1977263-3
1,000,000	GREEN	160 +/-50g	12 MM	16 MM	FSM1LPSTR	1977263-2
1,000,000	GREEN	160 +/-50g			FSM1LPS	1977263-1
LIFE CYCLE	ACTUATOR COLOR	ACTUATION FORCE	PITCH	TAPE WIDTH	T&B P/N	TE P/N

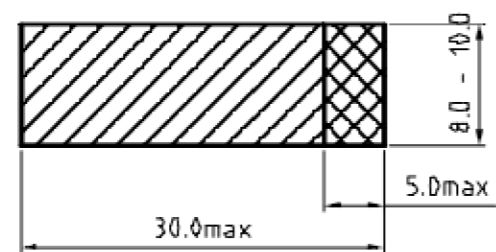
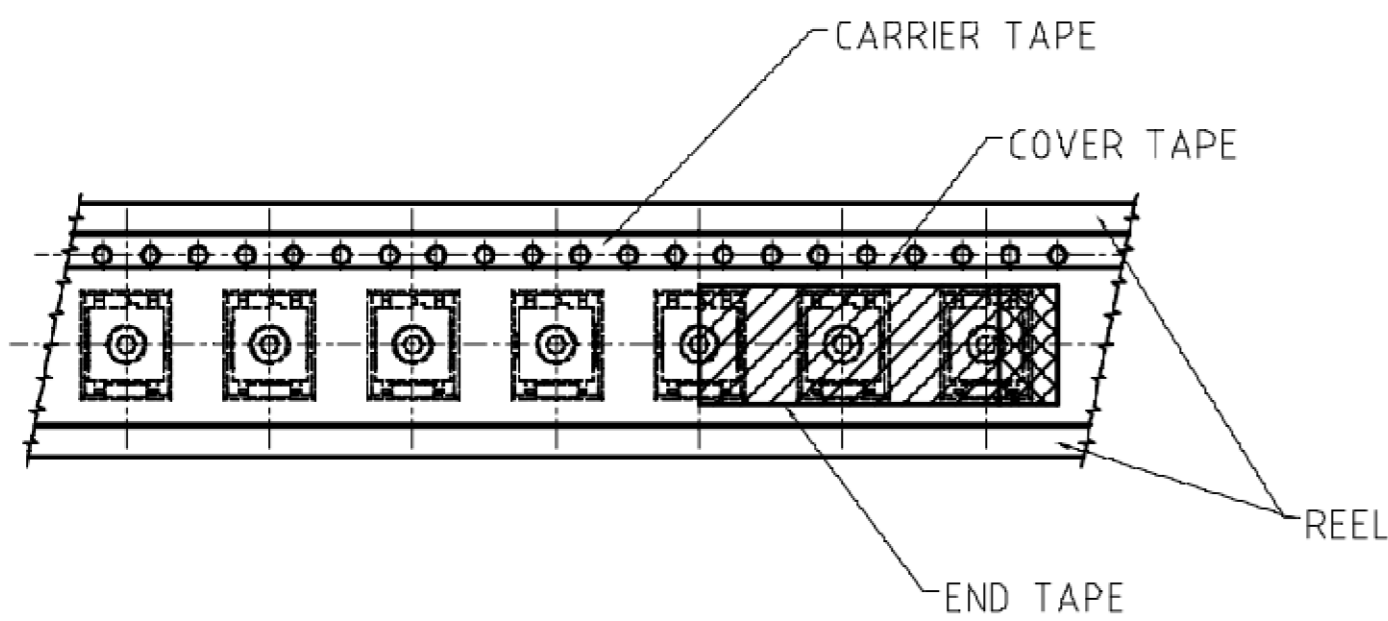
THIS DRAWING IS A CONTROLLED DOCUMENT.		DWN	M.BINNER	24JAN08		
		CHK	M.SARVER	24JAN08		
		APVD	M.SARVER	24JAN08		
		PRODUCT SPEC	M.SARVER	24JAN08		
DIMENSIONS: mm [INCHES]		TOLERANCES UNLESS OTHERWISE SPECIFIED:		NAME		
		0 PLC ± - 1 PLC ± - 2 PLC ± 0.30[.012] 3 PLC ± - 4 PLC ± - ANGLES ± -		TACTILE SWITCH FSM1LP		
MATERIAL		FINISH		WEIGHT	SIZE	RESTRICTED TO
				-	A2 00779 C=1977263	-
CUSTOMER DRAWING				SCALE	SHEET	REV
				4:1	1 OF 2	A4

THIS DRAWING IS UNPUBLISHED. RELEASED FOR PUBLICATION
 © COPYRIGHT - By - ALL RIGHTS RESERVED.

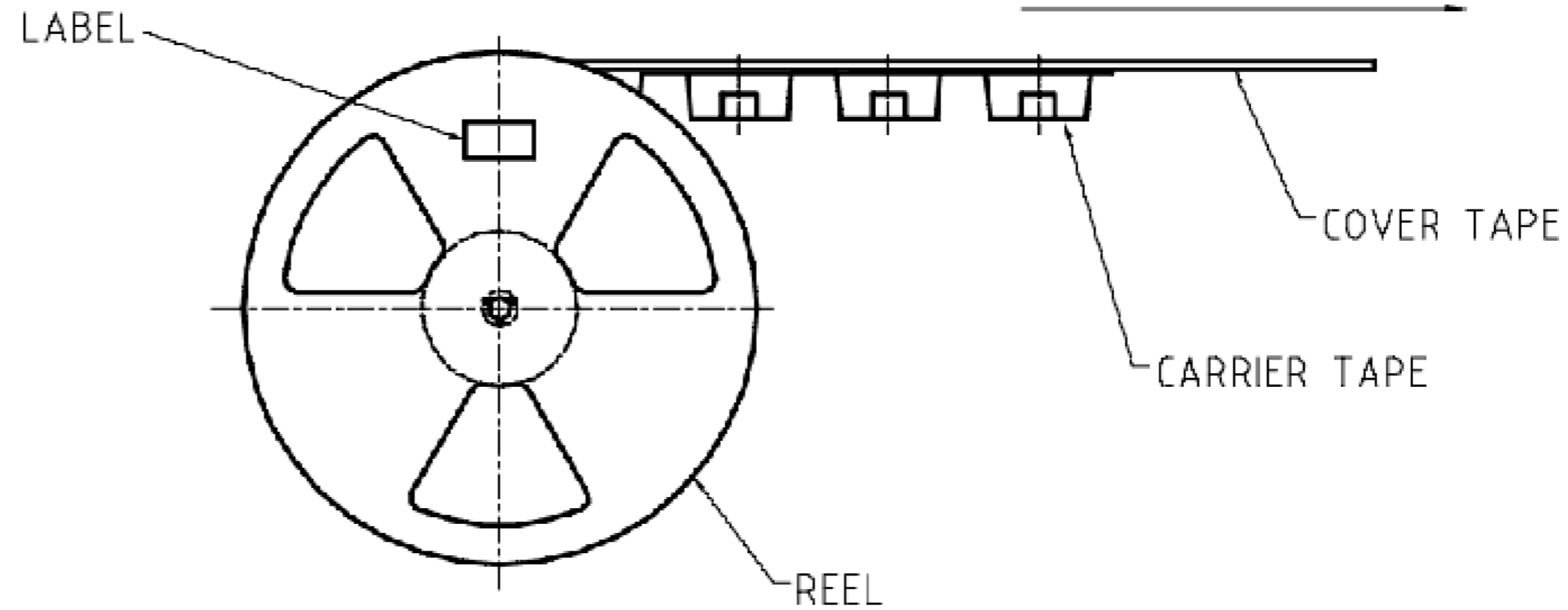
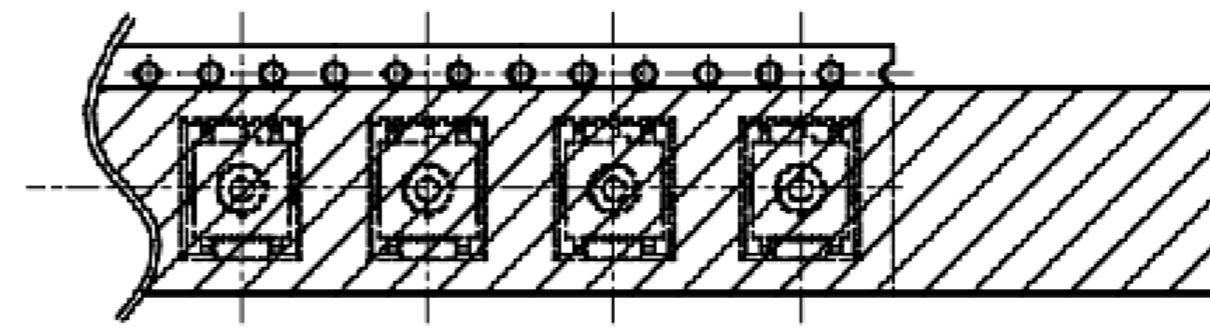
LOC		DIST		REVISIONS			
P	LTR	DESCRIPTION	DATE	DWN	APVD		
AD	00	SEE SHEET 1	-	-	-		



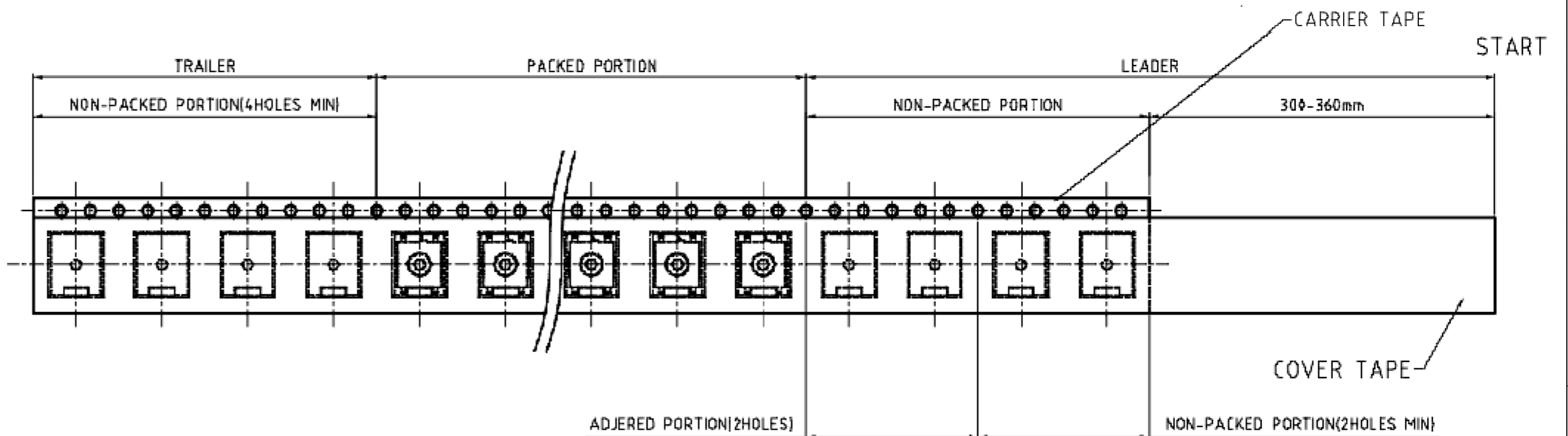
-THE DIMENSION OF CARRIER TAPE, COVER TAPE AND REEL-



-END TAPE-



-THE DIRECTION OF PILOT HOLES-



THIS DRAWING IS A CONTROLLED DOCUMENT.		DWN	M.BINNER	24JAN08	 TE Connectivity	TACTILE SWITCH	
DIMENSIONS:		CHK	M.SARVER	24JAN08		FSM1LP	
mm [INCHES]		APVD	M.SARVER	24JAN08		SIZE	A2
TOLERANCES UNLESS OTHERWISE SPECIFIED:		PRODUCT SPEC				CAGE CODE	00779
0 PLC	± -	APPLICATION SPEC			DRAWING NO	C=1977263	
1 PLC	± -				RESTRICTED TO	-	
2 PLC	± 0.30[.012]				SCALE	4:1	
3 PLC	± -				SHEET	2 OF 2	
4 PLC	± -				REV	A4	
ANGLES	± -				CUSTOMER DRAWING		
FINISH	-						

X-ON Electronics

Largest Supplier of Electrical and Electronic Components

Click to view similar products for [Tactile Switches](#) category:

Click to view products by [TE Connectivity](#) manufacturer:

Other Similar products are found below :

[6407-250V-25273P](#) [ADTSA62NV](#) [B3F-3123](#) [1977177-8](#) [1977266-1](#) [ADTSA63NV](#) [ADTSM21NSVTR](#) [ADTSM25RVTR](#) [ADTSM32NVTR](#)
[ADTSMW64RV](#) [1977120-6](#) [FSMRA4JHA04](#) [GS4.70F300QP](#) [KSC241J SP DELTA LFS](#) [3FTL600RAS](#) [3FTL640RAS](#) [Y96K132V0FPLFS](#)
[09158](#) [6407-250V-25343P](#) [ADTSM31NVTR](#) [2-1977120-7](#) [TSJW-5.2-260-TR](#) [TME1-01-Z](#) [Y651050400P](#) [KMT011MNGJLHS](#)
[ADTSG648NV](#) [ADTSM62KSVTR](#) [MJTP1138DTR](#) [ADTSM648NV](#) [95C06E3RAT](#) [3ATH9Q](#) [FSMRA8JHA04](#) [HARS0073](#)
[Y33R411N9FPLFT](#) [Y33R51139FPLFT](#) [Y31C01402FPLFS](#) [PTS645SK50SMTR92](#) [ADTSM32NVB](#) [KMS233GPWTFLFG](#) [Y78B64124FP](#)
[Y33A812C5FP LFT](#) [Y56B2D120FP LFS](#) [PTS645 DVM83-BN125-2 LFS](#) [B3W 1000G](#) [B3F 1002C](#) [B3F 0047H](#) [B3W 1002C](#) [B3F 5001G](#)
[B3W 1100C](#) [1-1571563-4](#)