

REVISIONS					
P	LTR	DESCRIPTION	DATE	DWN	APVD
D		REVISED PER ECO-16-018632	06APR2017	SK	PO

SPECIFICATIONS:

MATERIAL:

HOUSING, THERMOPLASTIC, UL94-V0, BLACK  
 ACTUATOR, THERMOPLASTIC, UL94-V0, COLOR SEE TABLE  
 TERMINAL, COPPER ALLOY, PLATE- SILVER OVER NICKEL  
 COVER, STAINLESS STEEL  
 CONTACT, STAINLESS STEEL, SILVER PLATE

ELECTRICAL:

MAX CONTACT RATING: 50MILLIAMPS@24V DC  
 MIN CONTACT RATING: 10MICROAMPS@1V DC  
 INITIAL CONTACT RESISTANCE, 100 MILLIOHMS MAX, PER EIA-364-23B, EACH POSITION  
 INSULATION RESISTANCE, 100 MEGOHM MIN. PER EIA-364-21C EACH POSITION  
 DIELECTRIC STRENGTH, 500 V AC FOR 1 MINUTE, PER EIA-364-20B, CONDITION 1, EACH POSITION.  
 CONTACT BOUNCE, 10 MILLISECOND MAX, PER EIA 448-1B, METHOD 15

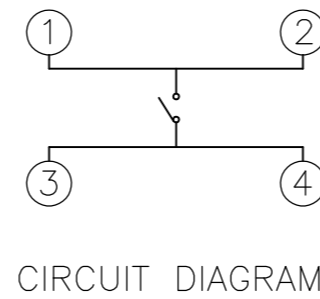
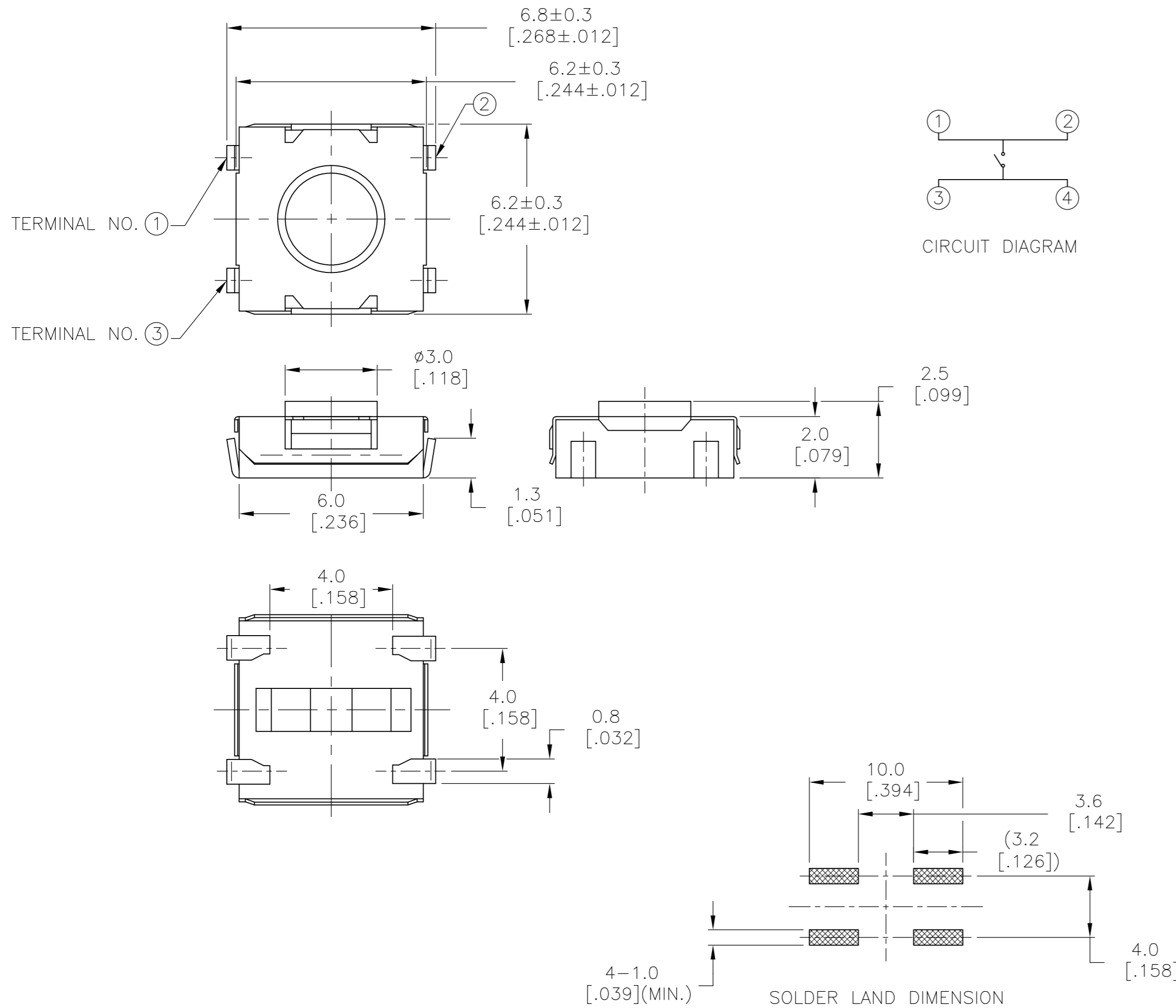
MECHANICAL:

ACTUATION FORCE, SEE TABLE  
 ACTUATION TRAVEL, .2 +/- .1 mm  
 LIFE EXPECTANCY, SEE TABLE, VALUES GIVEN ARE MINIMUM, (2 CYCLES PER SECOND AND 150% ACTUATION FORCE), PER EIA-448 METHODS 8 & 9  
 VIBRATION, PER EIA 364-28D, CONDITION VII, LEVEL E, DURATION 1.5 HOURS  
 MECHANICAL SHOCK, PER EIA-364-27C, CONDITION A

ENVIRONMENTAL

OPERATING TEMPERATURE, -35 TO +85 DEGREES C  
 STORAGE TEMPERATURE, -35 TO +85 DEGREES C  
 HUMIDITY AND TEMPERATURE CYCLING PER EIA-364-31B, METHOD III  
 THERMAL SHOCK, PER EIA-364-32C, -35 TO +85 DEGREES C  
 SOLDERABILITY, PER EIA-364-52, CLASS 2, CATEGORY 1, TEMP, 245 DEGREES C MAX, TIME, 2.5 SECONDS MAX, 95% MINIMUM COVERAGE  
 RESISTANCE TO SOLDER HEAT, PER 109-201 COND B  
 TAPE AND REEL PACKAGING PER EIA 481, TAPE WIDTH 12mm, PITCH 8.0mm, 3000 PER REEL

1. ALL MATERIALS AND FINISHES SHALL COMPLY WITH EU DIRECTIVE 2002/95/EC OF 27JAN2003 (ROHS)



PACKAGING	CYCLE LIFE	ACT. COLOR	FORCE	DIM L	PART NO.
T&R	1,00,000	VIOLET	260±50gf	2.5mm	1571625-8
BULK	1,00,000	VIOLET	260±50gf	2.5mm	1571625-7
T&R	1,000,000	RED	160±50gf	2.5mm	1571625-6
BULK	1,000,000	RED	160±50gf	2.5mm	1571625-5
T&R	1,000,000	GREEN	100±50gf	2.5mm	1571625-4
BULK	1,000,000	GREEN	100±50gf	2.5mm	1571625-3
T&R	2,000,000	IVORY	50±30gf	2.5mm	1571625-2
BULK	2,000,000	IVORY	50±30gf	2.5mm	1571625-1

THIS DRAWING IS A CONTROLLED DOCUMENT.		DWN	M.BINNER	22SEP03		TE Connectivity			
DIMENSIONS: mm [INCHES]		CHK	M.SARVER	22SEP03		NAME			
TOLERANCES UNLESS OTHERWISE SPECIFIED:		APVD	M.SARVER	22SEP03		PUSHBUTTON SWITCH, 6X6 mm, SMT, J-LEAD			
0 PLC ± - 1 PLC ± 0.2 2 PLC ± - 3 PLC ± - 4 PLC ± - ANGLES ± -		PRODUCT SPEC	APPLICATION SPEC			SIZE	CAGE CODE	DRAWING NO	RESTRICTED TO
MATERIAL SEE NOTES		FINISH	WEIGHT		0	A2	-	C=1571625	-
		CUSTOMER DRAWING		SCALE	8:1	SHEET	1 OF 1	REV	D

## X-ON Electronics

Largest Supplier of Electrical and Electronic Components

*Click to view similar products for [Tactile Switches](#) category:*

*Click to view products by [TE Connectivity](#) manufacturer:*

Other Similar products are found below :

[KMR633NG](#) [LFG](#) [5GTH9202242](#) [6426-201-11343](#) [MJ1226](#) [MJTP1230BL](#) [MJTPSHW](#) [1-1977223-0](#) [1-1977120-4](#) [ADTSA62NV](#)  
[ADTSA62RV](#) [ADTSA63KV](#) [ADTSA644NV](#) [ADTSM24NVTR](#) [ADTSMW66NV](#) [ADTSMW67RV](#) [ATM533VTR](#) [B3F-3123](#) [B3F-6055A](#)  
[B3F-B32-01-KIT](#) [1977177-8](#) [1977266-1](#) [2-1977223-4](#) [2-1977223-7](#) [ADTS644KV](#) [ADTSA61RV](#) [ADTSA62KV](#) [ADTSA63NV](#)  
[ADTSA63RV](#) [ADTSA65NV](#) [ADTSM21NSVTR](#) [ADTSM25RVTR](#) [ADTSM32NVTR](#) [ADTSM61YVTR](#) [ADTSM63SVTR](#)  
[ADTSM644KVTR](#) [ADTSMW64RV](#) [ADTSMW69NV](#) [FSMRA4JHA04](#) [D38999/20JJ37SA](#) [TL1105B](#) [TL1105J](#) [ATM534VTR](#) [MJ1221](#)  
[MJ1227](#) [506E00201](#) [MJTP1109A](#) [MJTPSHWA](#) [MJTPSJW69N](#) [3FTL600RAS](#) [3FTL640RAS](#)