

THIS DRAWING IS UNPUBLISHED. RELEASED FOR PUBLICATION
 © COPYRIGHT - By - ALL RIGHTS RESERVED.

REVISIONS					
P	LTR	DESCRIPTION	DATE	DWN	APVD
	P6	REVISED PER ECO-17-002273	10OCT2017	RK	AS

SPECIFICATIONS:

MATERIALS:
 CASE: PBT UL94HB, BLACK.
 COVER: STEEL ,TIN PLATE.
 ACTUATOR BUTTON: SEE P/N TABLE.
 MOVING CONTACT: PHOS BRONZE, SILVER.
 FIXED CONTACT/TERMINAL: BRASS, SILVER OVER NICKEL.

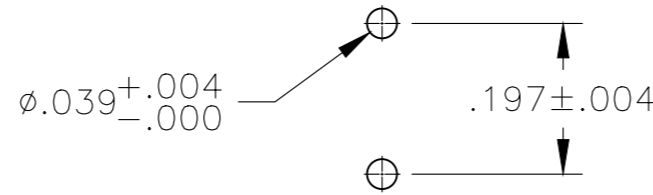
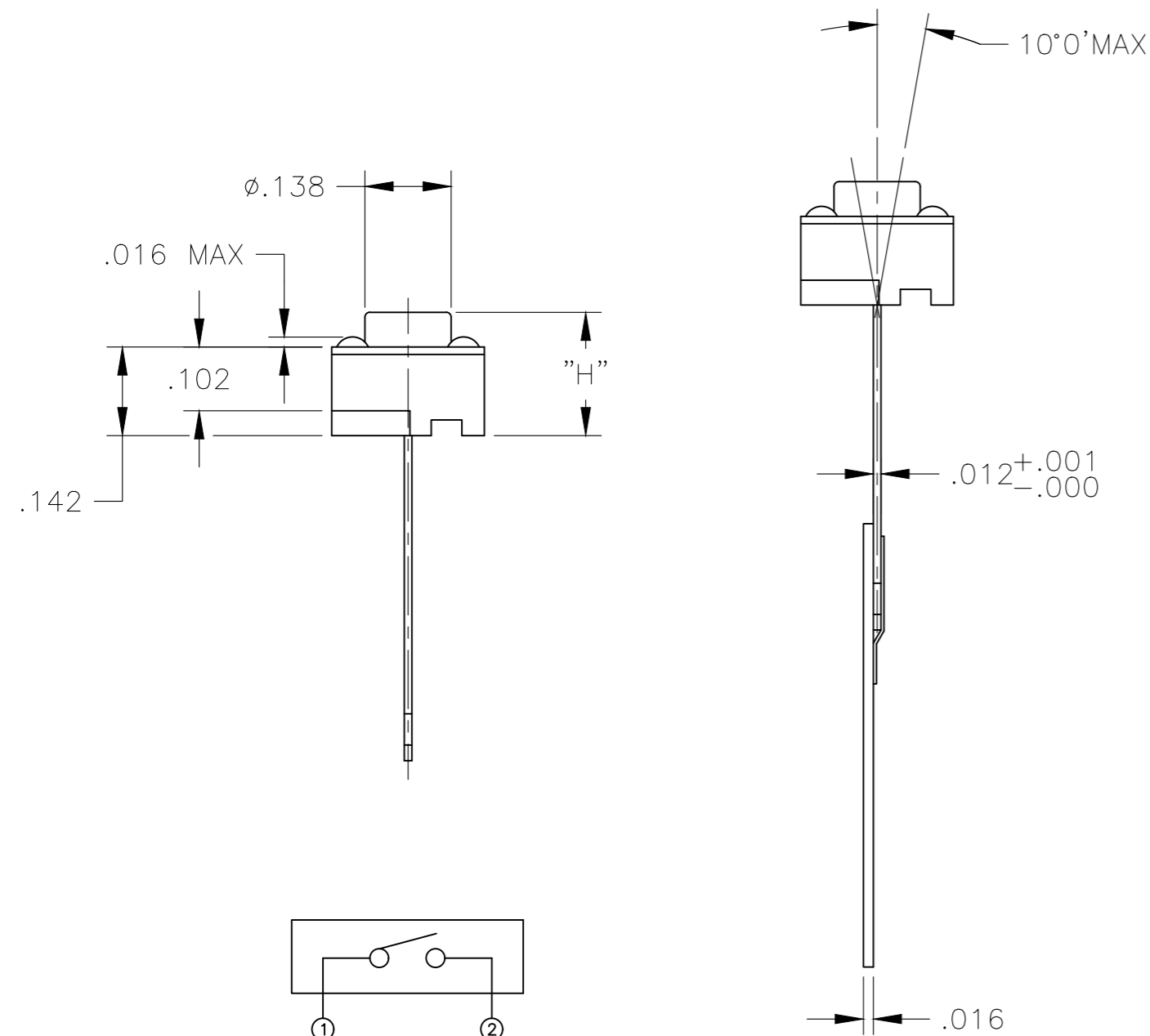
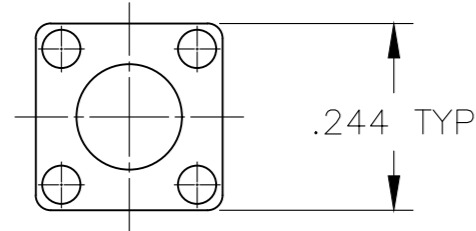
ELECTRICAL:
 MAX CONTACT RATING: 50MILLIAMPS@24V DC
 MIN CONTACT RATING: 10MICROAMPS@1V DC
 CONTACT RESISTANCE: 100 MILLIOHMS MAX.
 INSULATION RESISTANCE: 100 MEGOHMS MIN. @ 100 VDC.
 DIELECTRIC STRENGTH: 500 VAC 50/60 Hz FOR 1 MINUTE
 LIFE EXPECTANCY: 100,000 CYCLES.

MECHANICAL:
 ACTUATION FORCE: SEE P/N TABLE.
 ACTUATION TRAVEL: .010 IN, (0.25 mm) APPROX.

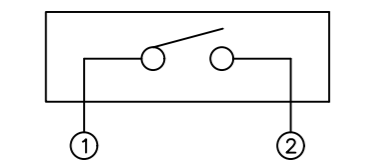
ENVIRONMENTAL:
 OPERATING TEMPERATURE: -35°C TO +105°C
 STORAGE TEMPERATURE: -35°C TO +85°C

SOLDERABILITY:
 SOLDERABILITY EIA-364-52,CLASS 1,CATEGORY 2
 SOLDER HEAT RESISTANCE PER 109-202 CONDITION B

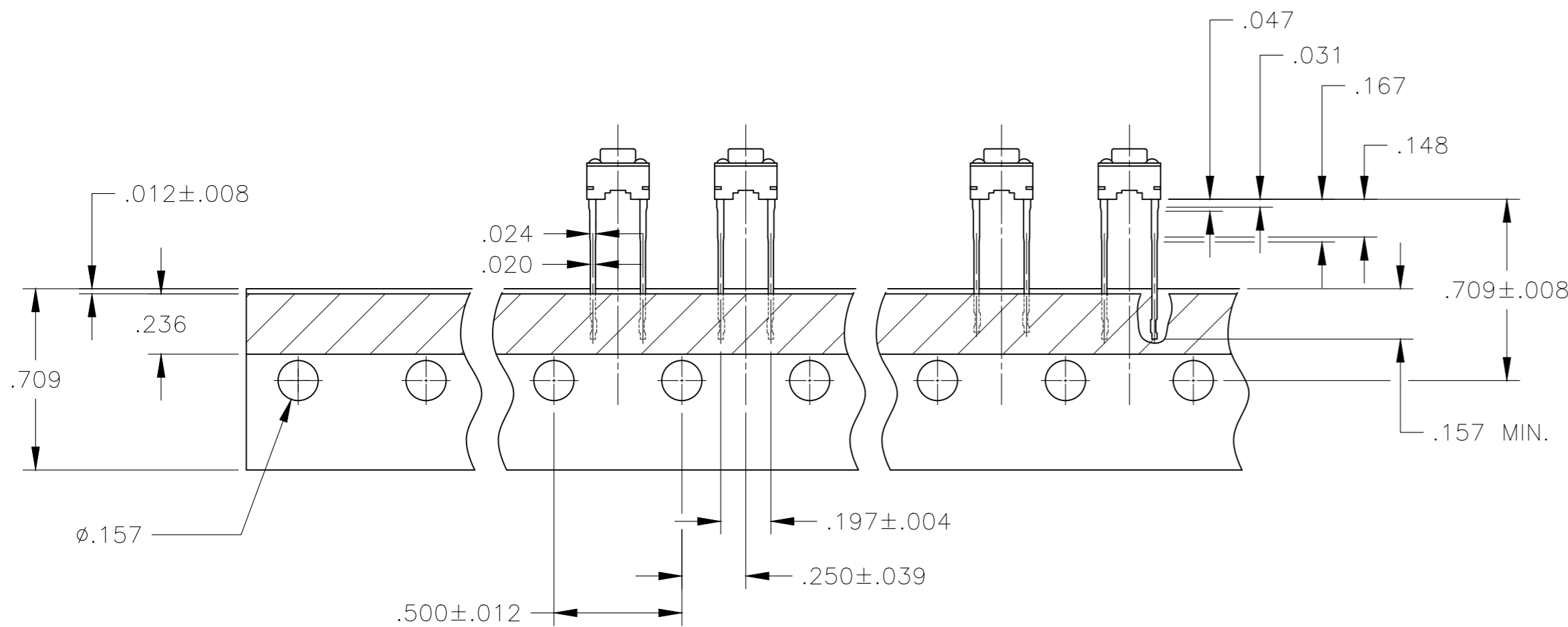
- 1 ALL MATERIALS AND FINISHES SHALL COMPLY WITH EU DIRECTIVE 2002/95/EC OF 27JAN2003 (ROHS)
- 2 RADIAL TAPE PACKAGING PER AUGAT SPEC.#295.
- 3 SPECIFICATIONS SUBJECT TO CHANGE WITHOUT NOTIFICATION.



RECOMMENDED HOLE LAYOUT



CIRCUIT DIAGRAM



OBSOLETE	100 +/-50 grams	Nylon 66	BROWN	.197 (5.0)	FSM4JBRT	1571010-2
	160 +/-50 grams	Nylon 66	BLACK	.512 (13.0)	FSM14JRT	1571010-1
	260 +/-50 grams	PBT	RED	.374 (9.5)	FSM8JART	147871-1
	160 +/-50 grams	PBT	BLACK	.374 (9.5)	FSM8JRT	147694-1
OBSOLETE	260 +/-50 grams	Nylon 66	RED	.276 (7.0)	FSM6JART	1571402-1
OBSOLETE	160 +/-50 grams	Nylon 66	BLUE	.276 (7.0)	FSM6JRT	4-1437565-8
	260 +/-50 grams	PBT	RED	.197 (5.0)	FSM4JART	147997-1
	160 +/-50 grams	Nylon 66	BLACK	.197 (5.0)	FSM4JRT	4-1437565-0
	160 +/-50 grams	PBT	NATURAL	0.169 (4.3)	FSM2JRT	2-1437565-6
	260 +/-50 grams	PBT	RED	0.169 (4.3)	FSM2JART	2-1437565-2
	ACTUATION FORCE	ACTUATOR MATERIAL	ACTUATOR COLOR	DIM H	T&B P/N	PART NUMBER

THIS DRAWING IS A CONTROLLED DOCUMENT.

DWN	M.BINNER	29SEP05
CHK	M.SARVER	29SEP05
APVD	M.SARVER	29SEP05

TE Connectivity

NAME: SWITCH, PUSHBUTTON

SIZE	CAGE CODE	DRAWING NO	RESTRICTED TO
A2	00779	C-2-1437565-2	-

CUSTOMER DRAWING SCALE 4:1 SHEET 1 of 1 REV P6

X-ON Electronics

Largest Supplier of Electrical and Electronic Components

Click to view similar products for [Tactile Switches](#) category:

Click to view products by [TE Connectivity](#) manufacturer:

Other Similar products are found below :

[5GTH92001](#) [1-1977120-4](#) [ADTSA62RV](#) [ADTSA63KV](#) [ADTSA644NV](#) [ADTSMW66NV](#) [ADTSMW67RV](#) [B3F-3123](#) [B3F-6055A](#) [B3F-B32-01-KIT](#) [1977177-8](#) [1977266-1](#) [ADTS644KV](#) [ADTSA61RV](#) [ADTSA62KV](#) [ADTSA63NV](#) [ADTSA63RV](#) [ADTSM21NSVTR](#) [ADTSM32NVTR](#) [ADTSM63SVTR](#) [ADTSM644KVTR](#) [ADTSMW64RV](#) [ADTSMW69NV](#) [FSMRA4JHA04](#) [GS4.70F300QP](#) [3ESH9R](#) [506E00201](#) [MJTP1164TR](#) [3FTL600RAS](#) [3FTL640RAS](#) [Y96K132V0FPLFS](#) [101-TS5022T1601-EV](#) [5GSH92001](#) [KSJ0A231](#) [80SH LFG](#) [EVQ-P1D05K](#) [MJTP1162TR](#) [ADTSM63KV](#) [TSJW-5.2-260-TR](#) [KMT011MNGJLHS](#) [B3WN6002S](#) [ADTSA648RV](#) [70-201.0](#) [ADTSG648NV](#) [ADTSM62KSVTR](#) [ATA600VTR](#) [ADTSG66RV](#) [ADTS61NV](#) [ADTSM62KVTR](#) [ADTSM25KSVB](#) [ADTS65RV](#)