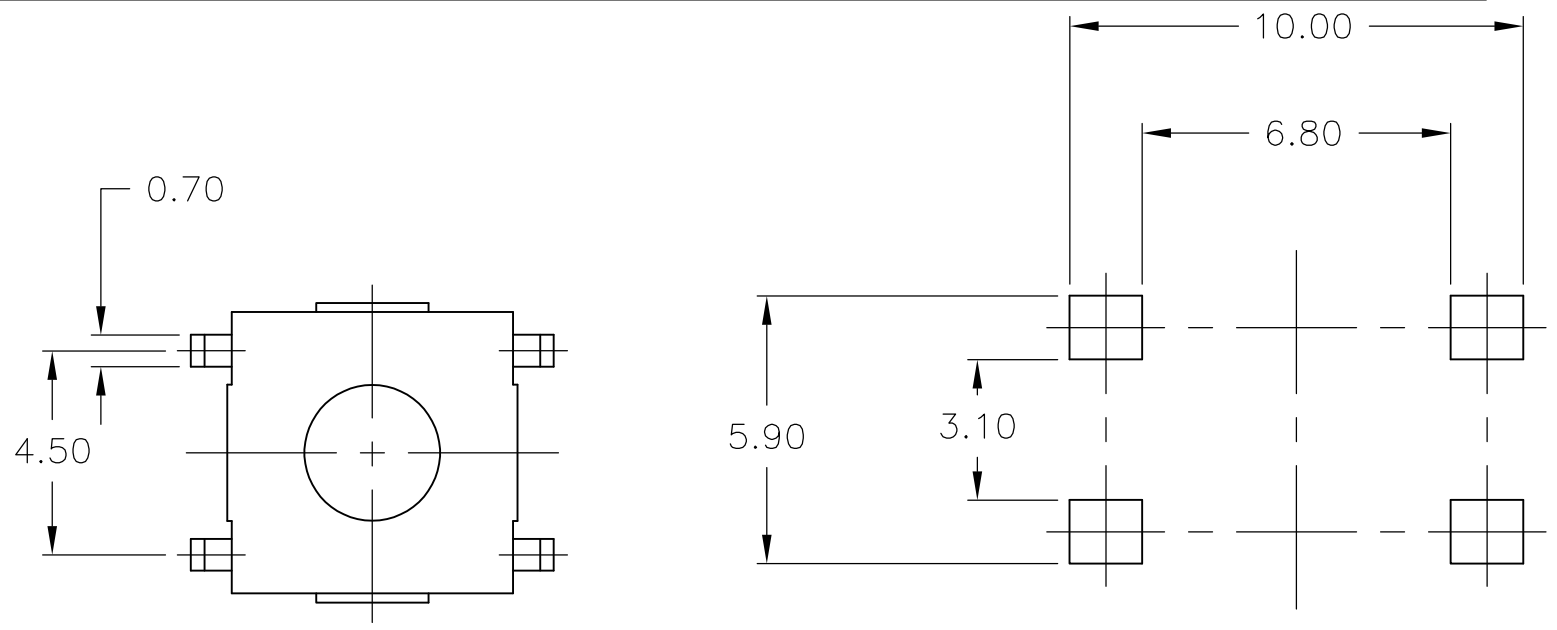
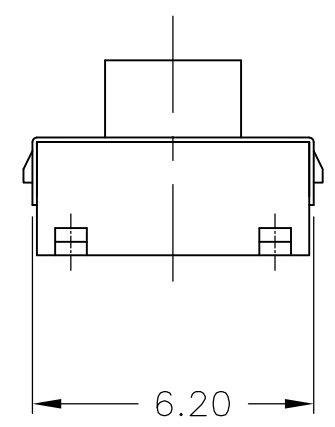
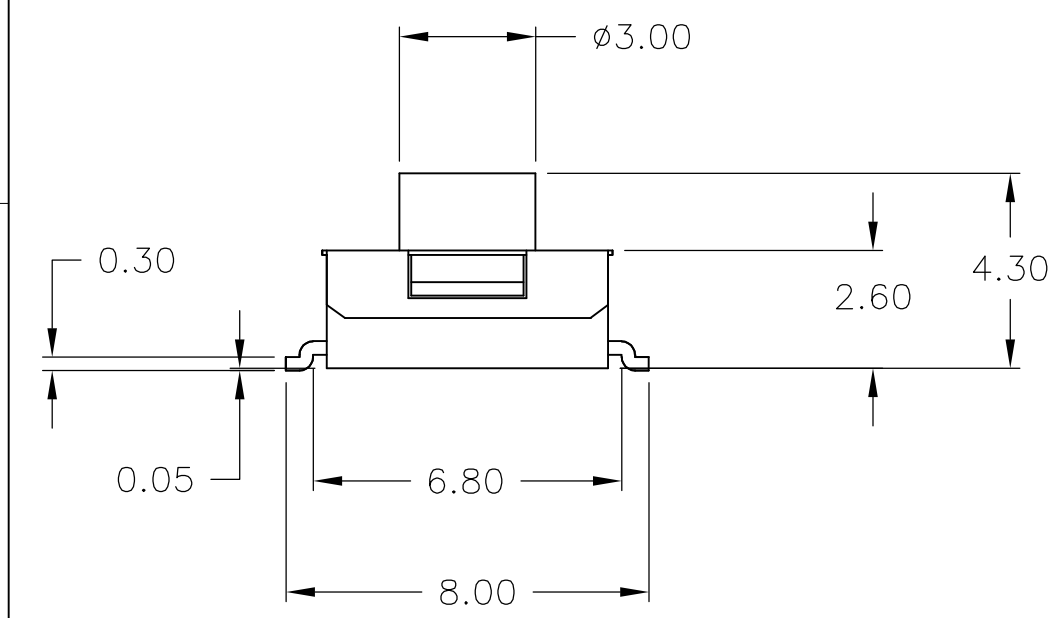


THIS DRAWING IS UNPUBLISHED. RELEASED FOR PUBLICATION
 © COPYRIGHT - By - ALL RIGHTS RESERVED.

REVISIONS					
P	LTR	DESCRIPTION	DATE	DWN	APVD
	A2	REVISED PER ECO-16-018632	05APR2017	SK	PO



P C B LAND DIMENSION



SPECIFICATIONS:

MATERIALS:

CASE, NYLON 46 UL94 V-0, IVORY
 ACTUATOR, NYLON PA6T UL94V-0, PINK FINISH
 COVER, COPPER ALLOY, TIN FINISH
 TERMINAL/FIXED CONTACT, COPPER ALLOY-SILVER FINISH
 MOVING CONTACT, STAINLESS STEEL-SILVER FINISH

ELECTRICAL:

MAX CONTACT RATING, 50MILLIAMPS@24V DC
 MIN CONTACT RATING, 1MICROAMP@1V DC
 CONTACT RESISTANCE, 100 MILLIOHMS MAX
 INSULATION RESISTANCE, 100 MEGOHM MIN.
 DIELECTRIC STRENGTH, 500 V AC FOR 1 MINUTE
 LIFE EXPECTANCY, 1,000,000 CYCLES

MECHANICAL:

ACTUATION FORCE, 260 +/-50GF
 ACTUATION TRAVEL, 0.25 +0.20/-0.10
 LIFE EXPECTANCY, 1,000,000, (2 CYCLES PER SECOND AND 150% ACTUATION FORCE)

ENVIRONMENTAL:

OPERATING TEMPERATURE, -40 TO +105° C
 STORAGE TEMPERATURE, -40 TO +105° C
 SOLDERABILITY, EIA-RS-186-9E, OR MIL-STD-202F
 RESISTANCE TO SOLDER HEAT, 260° C FOR 10SEC-PER 109-201, CONDITION B
 1.NO CHANGE IN INITIAL ELECTRICAL AND MECHANICAL CHARACTERISTICS

NOTES:

- 1 ALL MATERIALS AND FINISHES SHALL COMPLY WITH EU DIRECTIVE 2002/95/EC OF 27JAN2003 (ROHS)

() - INDICATES MOMENTARY POSITION			
CIRCUIT CHARACTERISTICS			
CONTACT POSITION		CIRCUIT DIAGRAM	
OFF	(ON) 1-3 2-4		

OBSOLETE	TAPE AND REEL	1,000,000	PINK	260 +/-50g	FSM4LPASTR	1977264-2
	BULK	1,000,000	PINK	260 +/-50g	FSM4LPAS	1977264-1
	PACKAGING	LIFE CYCLE	ACTUATOR COLOR	ACTUATION FORCE	T&B P/N	TE P/N
THIS DRAWING IS A CONTROLLED DOCUMENT.			DWN M.BINNER 24JAN08	TE Connectivity TACTILE SWITCH 6X6mm LOW PROFILE, SURFACE MOUNT		
DIMENSIONS: mm			CHK M.SARVER 24JAN08			
TOLERANCES UNLESS OTHERWISE SPECIFIED:			APVD M.SARVER 24JAN08			
0 PLC ± - 1 PLC ± - 2 PLC ± 0.30 3 PLC ± - 4 PLC ± - ANGLES ± -			PRODUCT SPEC			
MATERIAL			FINISH	APPLICATION SPEC	SIZE	CAGE CODE
-			-	WEIGHT	DRAWING NO	
-			-	0	A300779	
CUSTOMER DRAWING				SCALE	SHEET	REV
				6:1	1 OF 2	A2

THIS DRAWING IS UNPUBLISHED.

RELEASED FOR PUBLICATION

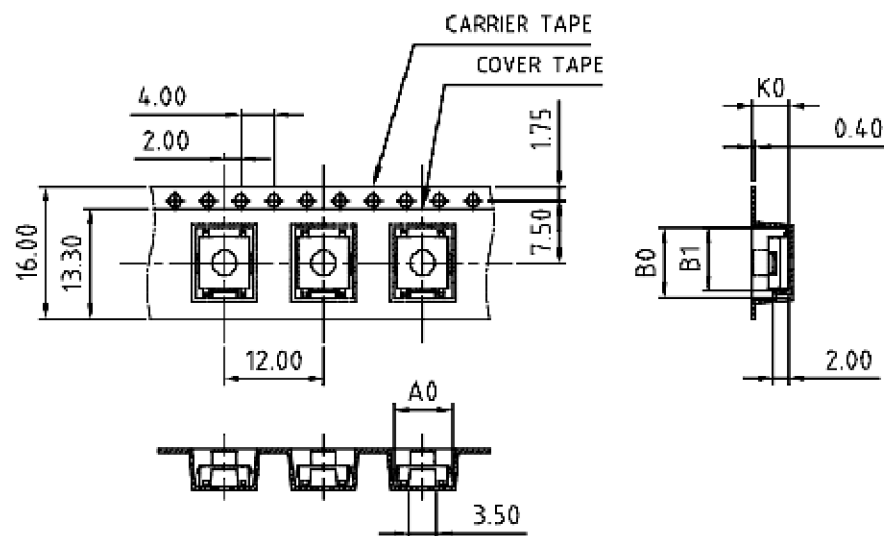
ALL RIGHTS RESERVED.

© COPYRIGHT - By -

REVISIONS

P	LTR	DESCRIPTION	DATE	DWN	APVD
-	-	SEE SHEET 1	-	-	-

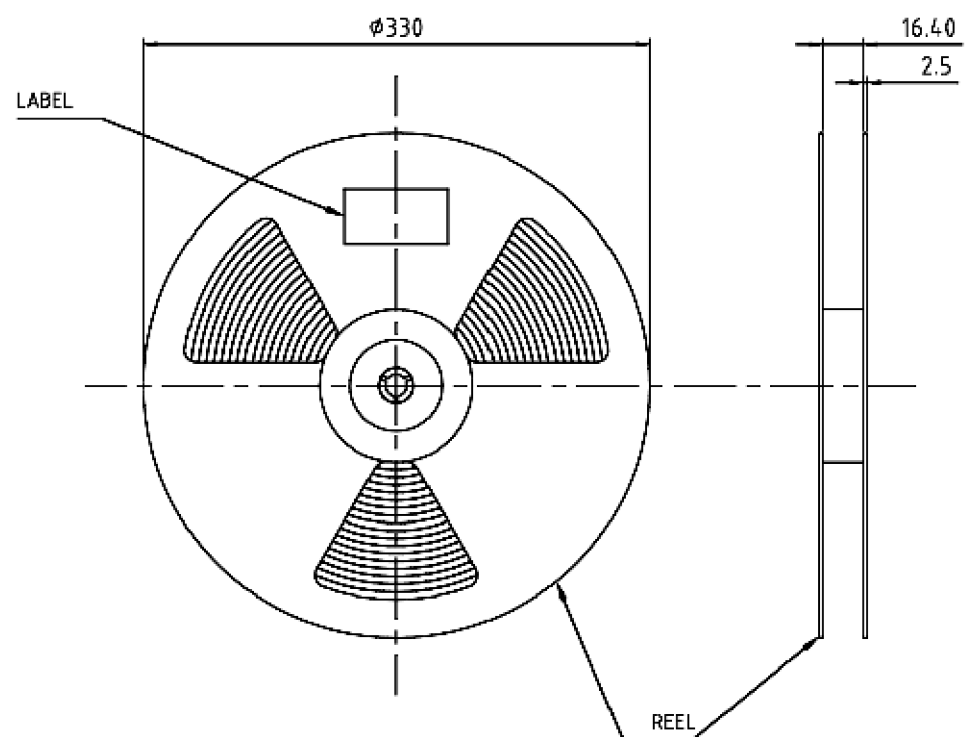
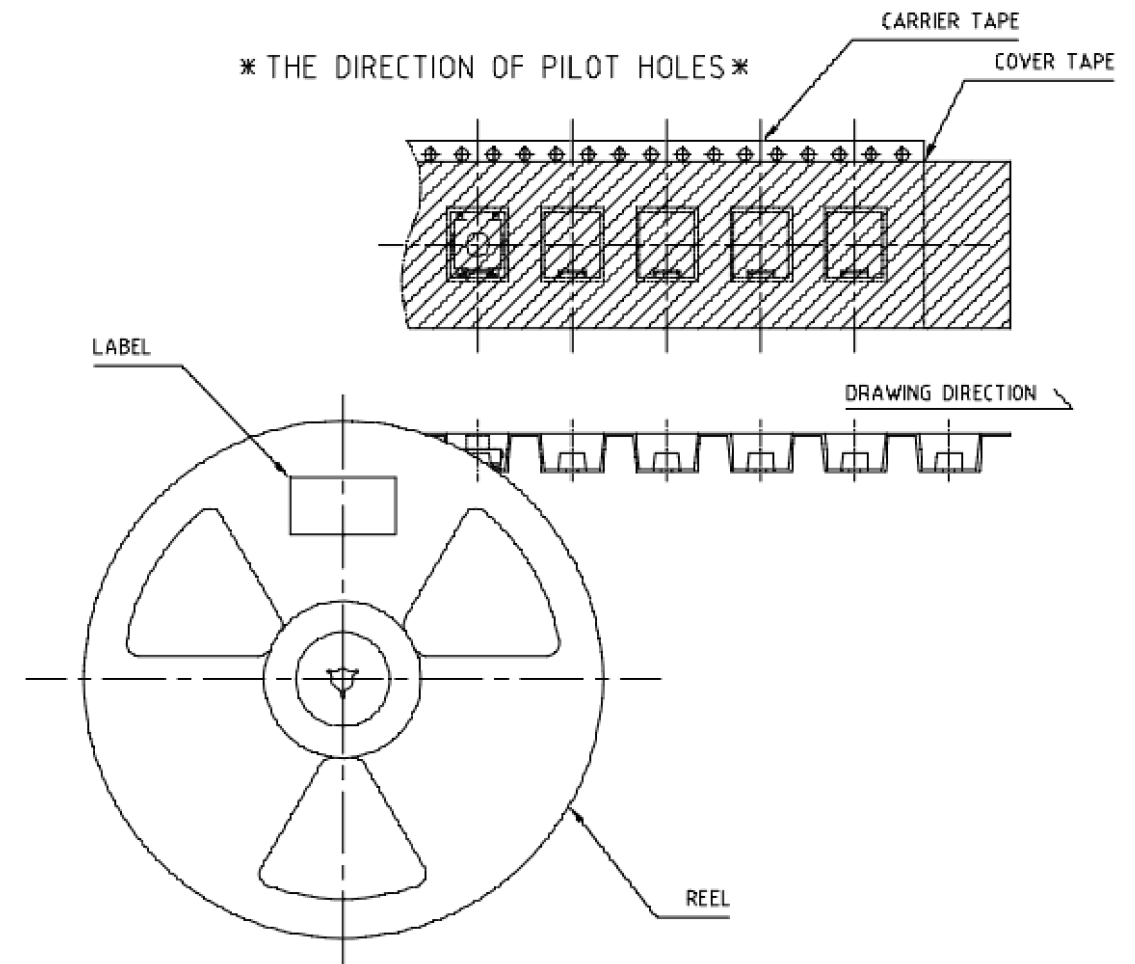
* THE DIMENSION OF CARRIER TAPE, COVER TAPE AND REEL *



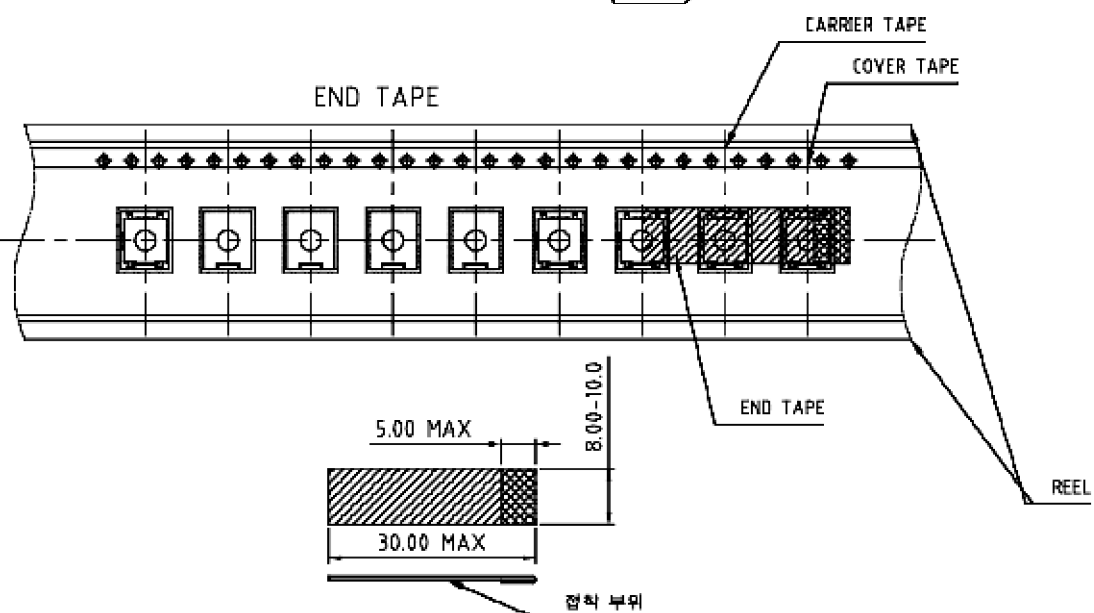
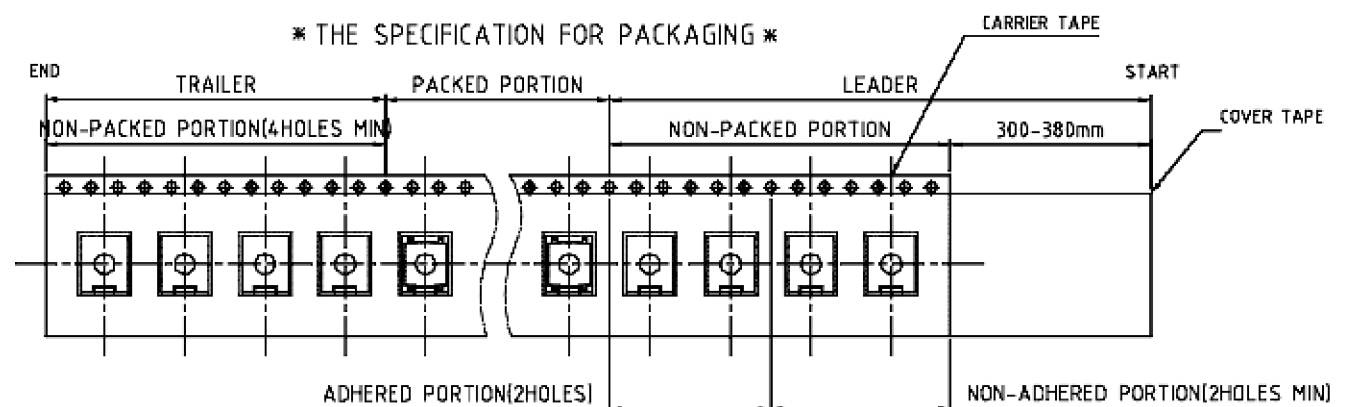
* DIMENSION

구분	치수
A0	7.00mm
B0	8.40mm
B1	7.55mm
K0	4.50mm

* THE DIRECTION OF PILOT HOLES *



* THE SPECIFICATION FOR PACKAGING *



THIS DRAWING IS A CONTROLLED DOCUMENT.

DIMENSIONS: mm	TOLERANCES UNLESS OTHERWISE SPECIFIED:
	0 PLC ± -
	1 PLC ± -
	2 PLC ± 0.30
	3 PLC ± -
	4 PLC ± -
	ANGLES ± -
MATERIAL	FINISH
-	-

DWN	M.BINNER	24JAN08
CHK	M.SARVER	24JAN08
APVD	M.SARVER	24JAN08
PRODUCT SPEC	-	
APPLICATION SPEC	-	
WEIGHT	-	
CUSTOMER DRAWING		



TACTILE SWITCH 6X6mm
LOW PROFILE,
SURFACE MOUNT

NAME	-			RESTRICTED TO	-
SIZE	CAGE CODE	DRAWING NO	-		
A3	00779	C-1977264	-		
SCALE	6:1	SHEET	2 OF 2	REV	A2

X-ON Electronics

Largest Supplier of Electrical and Electronic Components

Click to view similar products for te connectivity manufacturer:

Other Similar products are found below :

[570416-000](#) [CLTEQ-M81CE-SSRELAY-4-20V](#) [4-1633138-8](#) [D38999/24FJ4AN](#) [358838-000](#) [4-1195131-0](#) [650069-000](#) [SMD100-2](#)
[2EDL4CM](#) [DTS20W19-11PD-3028](#) [DTS20W19-11PD-3028-LC](#) [DTS20W19-32SD-3028-LC](#) [DTS20W19-32SD-3028](#) [NC6-P104-06](#)
[TXR64AB90-3616AI](#) [DTS26F21-41HE](#) [DTS26F21-41AE](#) [DTS26F21-41PE-LC](#) [DTS26F21-11SE-3028-LC](#) [5-2027513-8](#) [D38999/20JB35HA](#)
[D38999/24WJ20PA](#) [164-8033-08](#) [D38999/24WG11HA](#) [D38999/24WG11HN](#) [MS27467T21F11H](#) [DJT16E21-11HA](#) [1-532955-3](#)
[DTS20W19-32SA-3028-LC](#) [DTS24F19-11SC-3028-LC](#) [DTS24F19-11SC-3028](#) [D38999/20WC8BB](#) [1-330599-5](#) [DTS24F21-41HN-LC](#)
[DTS24F21-41HN](#) [DTS24F21-41AN](#) [DTS24F21-39HN](#) [DTS24F21-41PN-LC](#) [AFD50-10-6SN-1A-LC](#) [DBAS 70-7-0 SN 090-1A SCC](#)
[ACT20JE99HA](#) [DJT16F17-26HB](#) [MS27467T21F35J](#) [MS27467T21F11J](#) [MS27467T21F16H-LC](#) [MS27467T21F35H](#) [MS27467T21F41H-LC](#)
[DJT16E21-11PA-LC](#) [DJT16E21-11HA-LC](#) [DJT16E21-11AA](#)