

REVISIONS				
REV	DATE	DESCRIPTION	BY	APP'D
B6	10OCT2017	REVISED PER ECO-17-002273	RK	AS

Specifications:

Materials:
CASE: NYLON 66 UL94HB, 30% GF-BLACK
ACTUATOR: PBT OR NYLON 66, UL94HB
COVER: STEEL-TIN PLATE
MOVING CONTACT: COPPER ALLOY-SILVER PLATE
FIXED CONTACT/TERMINAL: COPPER ALLOY-SILVER OVER NICKEL PLATE

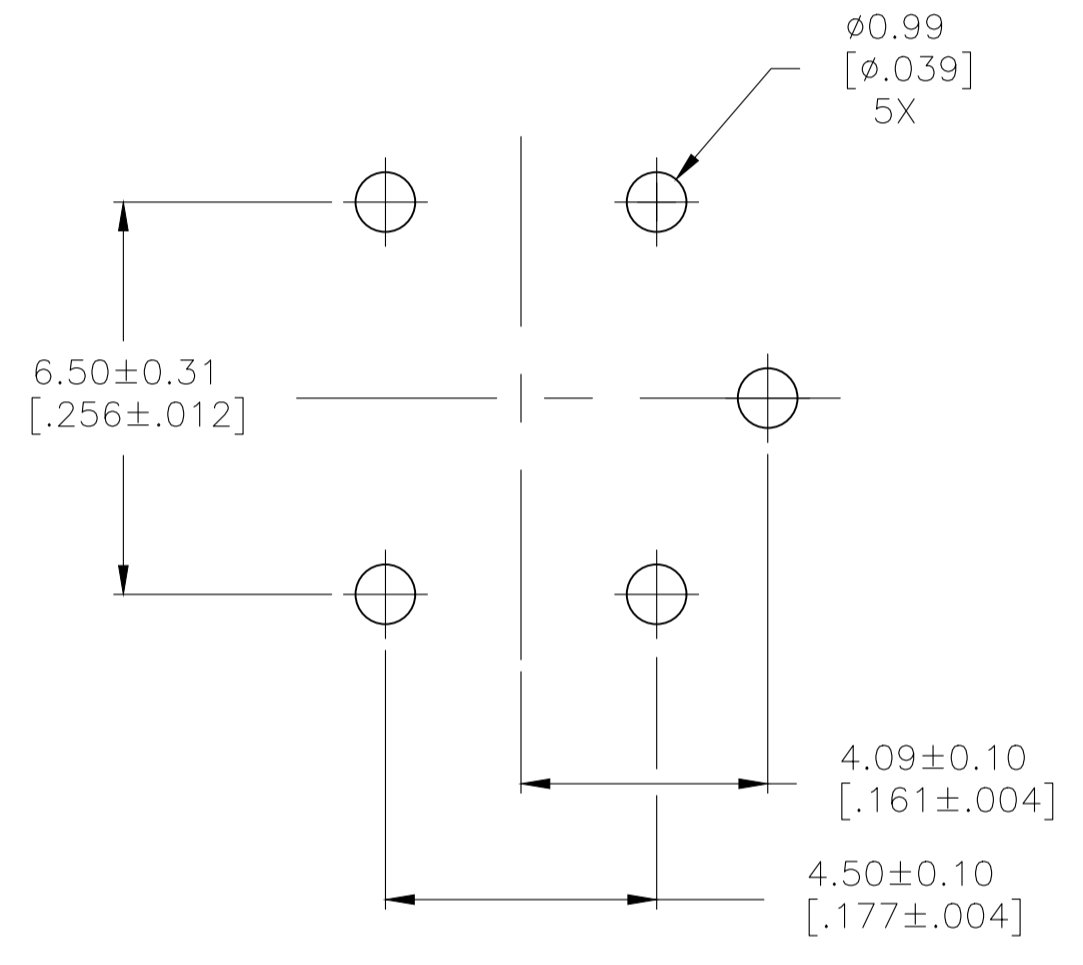
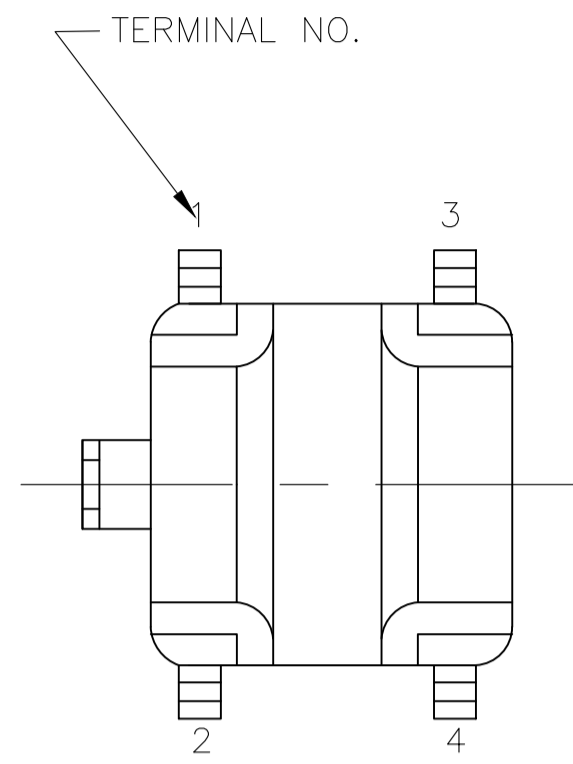
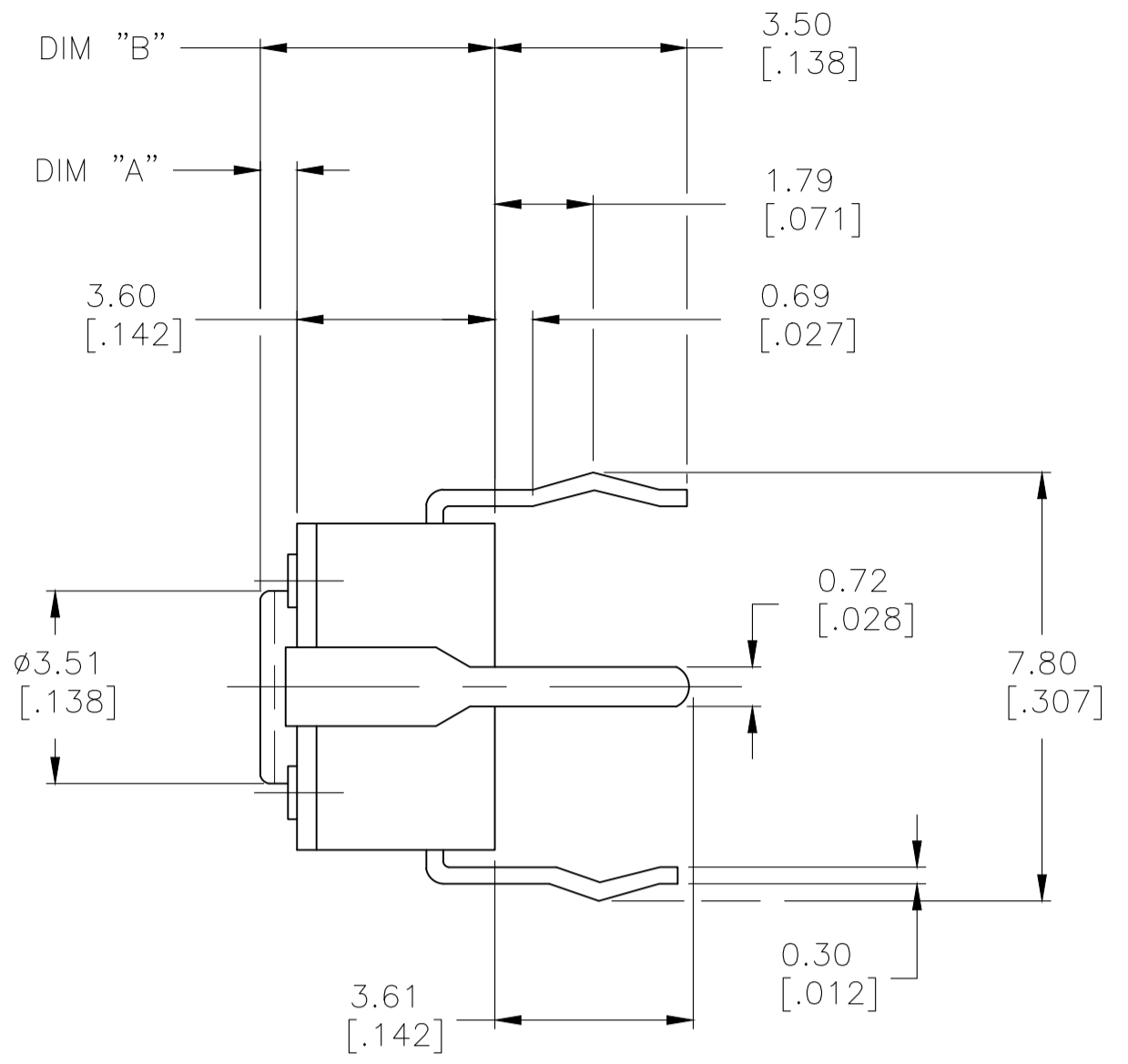
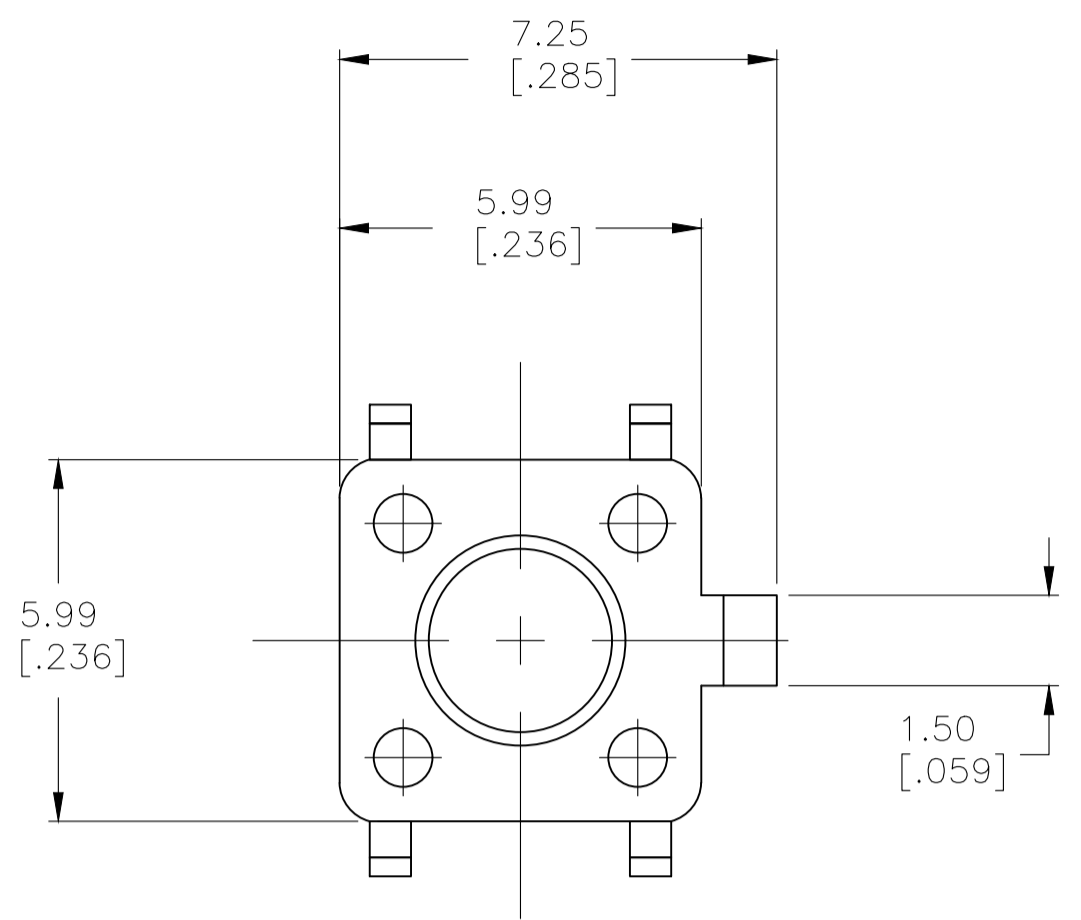
Electrical:
Max Contact Rating: 50 milliamp@ 24V DC
Min Contact Rating: 10 microamp@1V DC
Initial Contact resistance, 100 milliohms max
Insulation Resistance, 100 Megohm min. @ 100V DC
Dielectric strength, 500 V AC for 1 minute
Life Expectancy, 100,000 cycles min (2 cycles per second and 150% actuation force)

Mechanical:
Actuation force, See Table
Actuation Travel, .010 +.008/-.004
Life Expectancy, 100,000 cycles min (2 cycles per second and 150% actuation force)

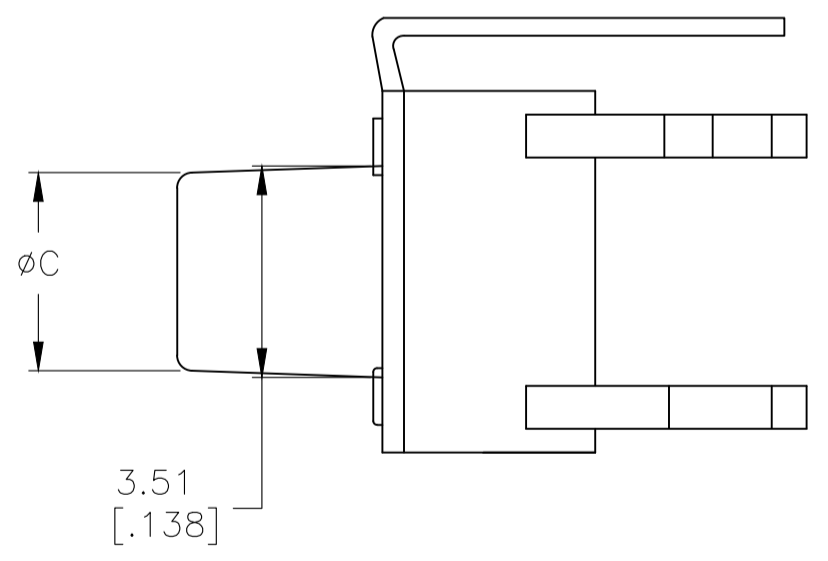
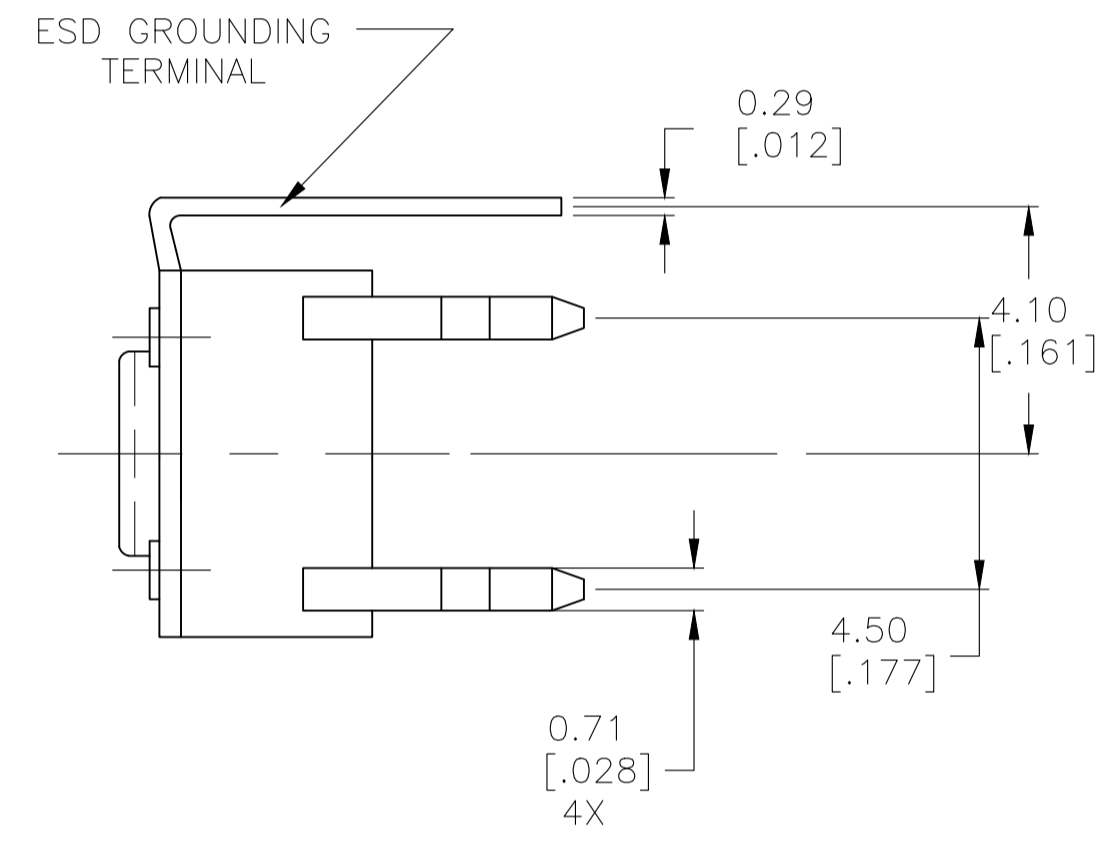
Environmental:
Operating Temperature, -35 to +85 degrees C
Storage Temperature, -35 to +85 degrees C
Thermal Shock, Per EIA-364-32C, -35 to +85 degrees C
Solderability, Per EIA-364-52, Class 2, Category 1, Category 2, 95% Minimum coverage
Resistance to Solder Heat, Per 109-202, Condition B

Notes:
1 ALL MATERIALS AND FINISHES SHALL COMPLY WITH EU DIRECTIVE 2002/95/EC OF 27JAN2003 (ROHS).

2 PACKAGED IN TRAY



RECOMMENDED HOLE LAYOUT
TOLERANCE ±.002
UNLESS OTHERWISE NOTED



FSM5J THRU FSM17J

CONTACT POSITION		CIRCUIT DIAGRAM
OFF	(ON) 1-3 2-4	

REV	DESCRIPTION	DATE	BY	APP'D
2	PBT BLACK 160 +/-50 GF N/A 5.00 (.196) 1.40 (.055) FSM3JHTR 3-1825955-7			
	NYLON 6/6 YELLOW 520 +/-100 GF 3.09 (.122) 8.50 (.335) 4.90 (.193) FSM17JAAH 3-1825955-6			
	NYLON 6/6 WHITE 260 +/-50 GF 3.09 (.122) 8.50 (.335) 4.90 (.193) FSM17JAH 3-1825955-5			
OBSOLETE	NYLON 6/6 BLACK 160 +/-50 GF 3.09 (.122) 8.50 (.335) 4.90 (.193) FSM17JH 3-1825955-4			
	NYLON 6/6 BROWN 100 +/-50 GF 3.09 (.122) 8.50 (.335) 4.90 (.193) FSM17JLH 3-1825955-3			
	NYLON 6/6 YELLOW 520 +/-100 GF 2.80 (.110) 17.00 (.669) 13.40 (.527) FSM15JAAH 3-1825955-2			
	NYLON 6/6 WHITE 260 +/-50 GF 2.80 (.110) 17.00 (.669) 13.40 (.527) FSM15JAH 3-1825955-1			
OBSOLETE	NYLON 6/6 BLACK 160 +/-50 GF 2.80 (.110) 17.00 (.669) 13.40 (.527) FSM15JH 3-1825955-0			
	NYLON 6/6 BROWN 100 +/-50 GF 2.80 (.110) 17.00 (.669) 13.40 (.527) FSM15JLH 2-1825955-9			
	NYLON 6/6 YELLOW 520 +/-100 GF 2.87 (.118) 13.00 (.512) 9.40 (.370) FSM13JAAH 2-1825955-8			
	NYLON 6/6 WHITE 260 +/-50 GF 2.87 (.118) 13.00 (.512) 9.40 (.370) FSM13JAH 2-1825955-7			
OBSOLETE	NYLON 6/6 BLACK 160 +/-50 GF 2.87 (.118) 13.00 (.512) 9.40 (.370) FSM13JH 2-1825955-6			
	NYLON 6/6 BROWN 100 +/-50 GF 2.87 (.118) 13.00 (.512) 9.40 (.370) FSM13JLH 2-1825955-5			
OBSOLETE	NYLON 6/6 YELLOW 520 +/-100 GF 3.20 (.126) 8.00 (.315) 4.40 (.173) FSM11JAAH 2-1825955-4			
	NYLON 6/6 WHITE 260 +/-50 GF 3.20 (.126) 8.00 (.315) 4.40 (.173) FSM11JAH 2-1825955-3			
	NYLON 6/6 WHITE 160 +/-50 GF 3.20 (.126) 8.00 (.315) 4.40 (.173) FSM11JH 2-1825955-2			
	NYLON 6/6 BROWN 100 +/-50 GF 3.20 (.126) 8.00 (.315) 4.40 (.173) FSM11JLH 2-1825955-1			
OBSOLETE	NYLON 6/6 YELLOW 520 +/-100 GF 3.25 (.128) 7.30 (.287) 3.70 (.146) FSM9JAAH 1-1825955-0			
	NYLON 6/6 WHITE 260 +/-50 GF 3.25 (.128) 7.30 (.287) 3.70 (.146) FSM9JAH 1-1825955-9			
OBSOLETE	NYLON 6/6 BLACK 160 +/-50 GF 3.25 (.128) 7.30 (.287) 3.70 (.146) FSM9JH 1-1825955-8			
	NYLON 6/6 BROWN 100 +/-50 GF 3.25 (.128) 7.30 (.287) 3.70 (.146) FSM9JLH 1-1825955-7			
	PBT YELLOW 520 +/-100 GF 3.10 (.122) 9.50 (.374) 5.90 (.232) FSM7JAAH 1-1825955-6			
	PBT WHITE 260 +/-50 GF 3.10 (.122) 9.50 (.374) 5.90 (.232) FSM7JAH 1-1825955-5			
	PBT BLACK 160 +/-50 GF 3.10 (.122) 9.50 (.374) 5.90 (.232) FSM7JH 1-1825955-4			
OBSOLETE	PBT BROWN 100 +/-50 GF 3.10 (.122) 9.50 (.374) 5.90 (.232) FSM7JLH 1-1825955-3			
	NYLON 6/6 YELLOW 520 +/-100 GF 3.30 (.130) 7.00 (.276) 3.40 (.134) FSM5JAAH 1-1825955-2			
	NYLON 6/6 WHITE 260 +/-50 GF 3.30 (.130) 7.00 (.276) 3.40 (.134) FSM5JAH 1-1825955-1			
	NYLON 6/6 BLUE 160 +/-50 GF 3.30 (.130) 7.00 (.276) 3.40 (.134) FSM5JH 1-1825955-0			
OBSOLETE	NYLON 6/6 BROWN 100 +/-50 GF 3.30 (.130) 7.00 (.276) 3.40 (.134) FSM5JLH 1825955-9			
	PBT YELLOW 520 +/-100 GF N/A 5.00 (.196) 1.40 (.055) FSM3JAAH 1825955-8			
	PBT WHITE 260 +/-50 GF N/A 5.00 (.196) 1.40 (.055) FSM3JAH 1825955-7			
	PBT BLACK 160 +/-50 GF N/A 5.00 (.196) 1.40 (.055) FSM3JH 1825955-6			
OBSOLETE	PBT BROWN 100 +/-50 GF N/A 5.00 (.196) 1.40 (.055) FSM3JLH 1825955-5			
	PBT YELLOW 520 +/-100 GF N/A 4.30 (.169) 0.70 (.028) FSM1JAAH 1825955-4			
	PBT WHITE 260 +/-50 GF N/A 4.30 (.169) 0.70 (.028) FSM1JAH 1825955-3			
	PBT BLACK 160 +/-50 GF N/A 4.30 (.169) 0.70 (.028) FSM1JH 1825955-2			
OBSOLETE	PBT BROWN 100 +/-50 GF N/A 4.30 (.169) 0.70 (.028) FSM1JLH 1825955-1			

THIS DRAWING IS A CONTROLLED DOCUMENT. DIM C MORAN 29DEC93
DIMENSIONS: mm [INCHES] TOLERANCES UNLESS OTHERWISE SPECIFIED:
0 PLC ± .1
1 PLC ± .15
2 PLC ± .2
3 PLC ± .3
4 PLC ± .4
ANGLES ± 1°
MATERIAL SEE SPECIFICATIONS FINISH SEE SPECIFICATIONS WEIGHT --
CUSTOMER DRAWING

APPROVED: J. SYLVIA 29DEC93 NAME
PRODUCT SPEC
APPLICATION SPEC
SIZE: A1 CAGE CODE: 00779 DRAWING NO: 1825955
RESTRICTED TO: --
SCALE: 8:1 SHEET: 1 OF 1 REV: B6

TE Connectivity
6MM TACT SWITCH THRU-HOLE W/ESD

X-ON Electronics

Largest Supplier of Electrical and Electronic Components

Click to view similar products for [Tactile Switches](#) category:

Click to view products by [TE Connectivity](#) manufacturer:

Other Similar products are found below :

[5GTH92001](#) [1-1977120-4](#) [ADTSA62NV](#) [ADTSA62RV](#) [ADTSA63KV](#) [ADTSA644NV](#) [ADTSMW66NV](#) [ADTSMW67RV](#) [B3F-3123](#) [B3F-6055A](#) [B3F-B32-01-KIT](#) [1977177-8](#) [1977266-1](#) [ADTS644KV](#) [ADTSA61RV](#) [ADTSA62KV](#) [ADTSA63NV](#) [ADTSA63RV](#) [ADTSM21NSVTR](#) [ADTSM32NVTR](#) [ADTSM63SVTR](#) [ADTSM644KVTR](#) [ADTSMW64RV](#) [ADTSMW69NV](#) [FSMRA4JHA04](#) [GS4.70F300QP](#) [3ESH9R](#) [506E00201](#) [MJTP1164TR](#) [3FTL600RAS](#) [3FTL640RAS](#) [Y96K132V0FPLFS](#) [101-TS5022T1601-EV](#) [5GSH92001](#) [KSJ0A231](#) [80SH LFG](#) [ADTSM31NVTR](#) [EVQ-P1D05K](#) [MJTP1162TR](#) [ADTSM63KV](#) [2-1977120-7](#) [TSJW-5.2-260-TR](#) [KMT011MNGJLHS](#) [B3WN6002S](#) [ADTSA648RV](#) [70-201.0](#) [ADTSG648NV](#) [ADTSM62KSVTR](#) [ATA600VTR](#) [ADTSG66RV](#) [ADTS61NV](#)