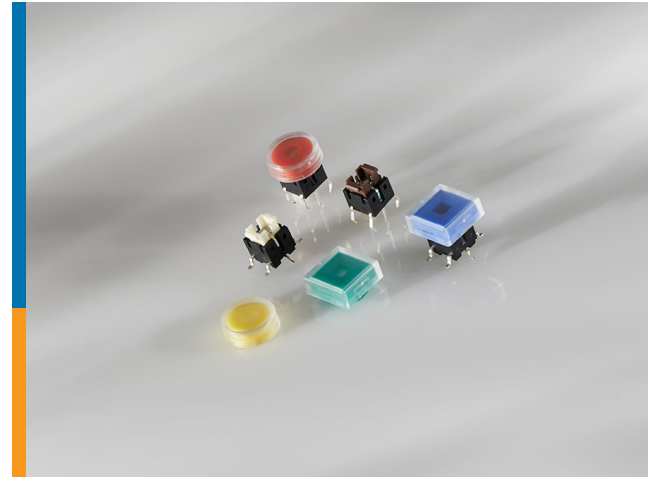


# ALCOSWITCH ILLUMINATED TACTILE SWITCH SERIES

with Tactile Cap Series

TE Connectivity (TE)'s ALCOSWITCH Illuminated Tactile switch series is designed for easy operation and reliability in a variety of board mounted applications. The tactile switch includes an LED indicator, available in low and high intensity versions, and 8 unique color options. Rated up to 500,000 electrical lifecycles, the Illuminated Tactile series is designed to last. We offer the translucent caps in two different styles, round and square and in five different colors. The caps correspond with the LED color.



## Applications

The illuminated tactile switch is well suited for designs requiring illuminated interfaces via pushbutton style switches including:

- Industrial equipment
- Building Automation / HVAC equipment
- Instrumentation
- Communication equipment
- Control equipment

## Electrical

- Electrical life (pushbutton only):  
100/160 GF (grams-force):  
500,000 cycles  
260/520 GF (grams-force):  
200,000 cycles

## Mechanical

- Number of poles: 1
- Switch Functions: OFF-(ON)
- Contact Rating: 50 mA @ 12 VDC

## Specifications

- RoHS Directive 2002/95/E compliant
- REACH Compliant and Pb Free

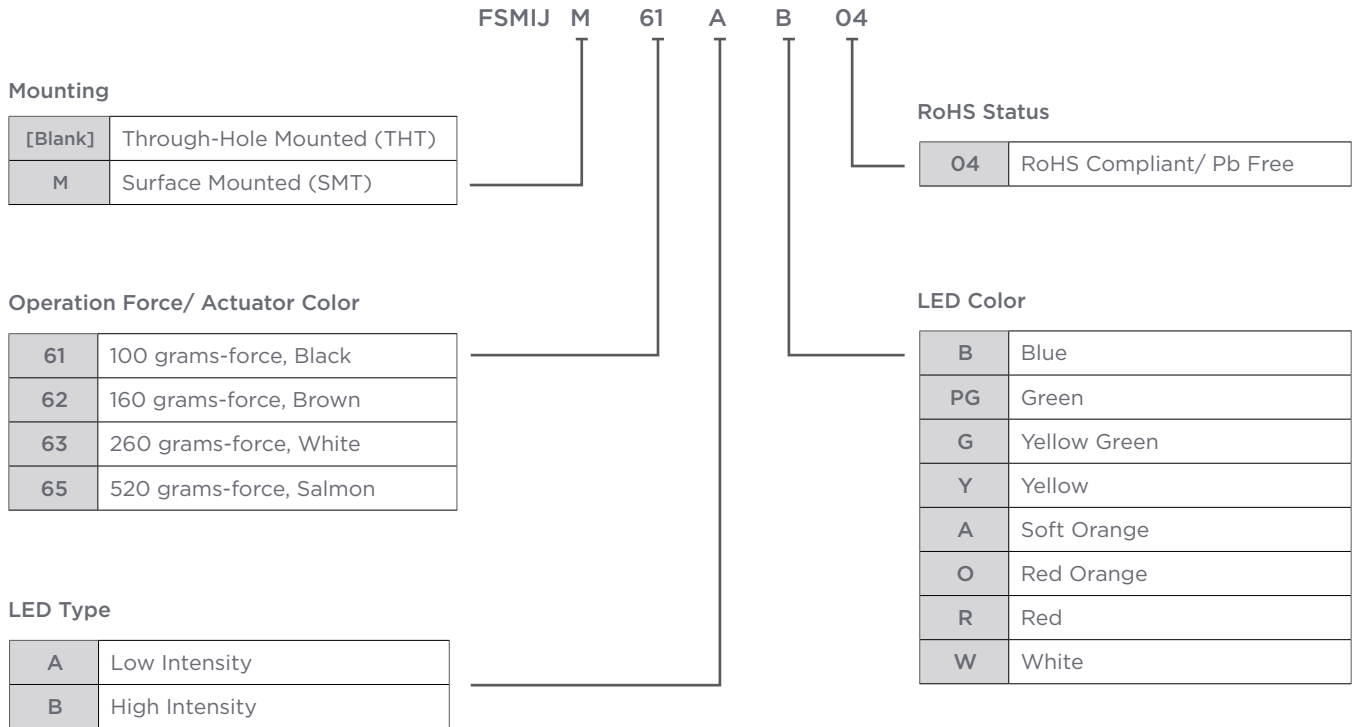
## Materials

- Contacts: Stainless Steel, Silver plated
- Actuator: High temperature Thermoplastic (UL94-V0)
- Terminals: Brass, Silver Plated
- Case: High temperature Thermoplastic (UL94-V0)

## Benefits

- Durability with switches rated up to 500,000 electrical life cycles
- Achieve design flexibility with low or high intensity LED indicators available in 8 color options
- Save board space with integrated super-bright LED
- Faster board assembly with reflow or wave solder compatible designs
- Enable ease of use with tactile and audible feedback
- Designed to fit your specific application with a wide range of actuation forces available
- Caps enhance the size of the illumination
- Caps offer an easy type of actuation of the existing switch

Product Key



For additional product information, including drawings, customer viewable models, and distributor inventory, please visit [TE.com](http://TE.com). Use the Product Key to determine the desired part configuration, or reference the below Part Selection table.

Product Selection Information

| Descriptive PN | Body Style                | LED Intensity | LED color    | TE PN                       |
|----------------|---------------------------|---------------|--------------|-----------------------------|
| FSMIJ61AB04    | Illuminated 6x6 Tact, THT | LI            | Blue         | <a href="#">2213818-1</a>   |
| FSMIJ62AG04    | Illuminated 6x6 Tact, THT | LI            | Yellow Green | <a href="#">1-2213818-9</a> |
| FSMIJ63AR04    | Illuminated 6x6 Tact, THT | HI            | Soft Orange  | <a href="#">3-2213818-9</a> |
| FSMIJ65AB04    | Illuminated 6x6 Tact, THT | LI            | Blue         | <a href="#">4-2213818-9</a> |
| FSMIJM61AB04   | Illuminated 6x6 Tact, SMT | LI            | Blue         | <a href="#">2213819-1</a>   |
| FSMIJM62BB04   | Illuminated 6x6 Tact, SMT | HI            | Blue         | <a href="#">2-2213819-5</a> |
| FSMIJM63BB04   | Illuminated 6x6 Tact, SMT | HI            | Blue         | <a href="#">4-2213819-1</a> |
| FSMIJM65AR04   | Illuminated 6x6 Tact, SMT | LI            | Red          | <a href="#">5-2213819-5</a> |
| FSMIJ61ASPG04  | Illuminated 6x6 Tact, SMT | HI            | Pure Green   | <a href="#">2213818-2</a>   |
| FSMIJ61AY04    | Illuminated 6x6 Tact, SMT | HI            | Yellow       | <a href="#">2213818-8</a>   |
| FSMIJ61AO04    | Illuminated 6x6 Tact, SMT | HI            | Red Orange   | <a href="#">2213818-6</a>   |
| FSMIJ61AW04    | Illuminated 6x6 Tact, SMT | HI            | Cold White   | <a href="#">2213818-4</a>   |

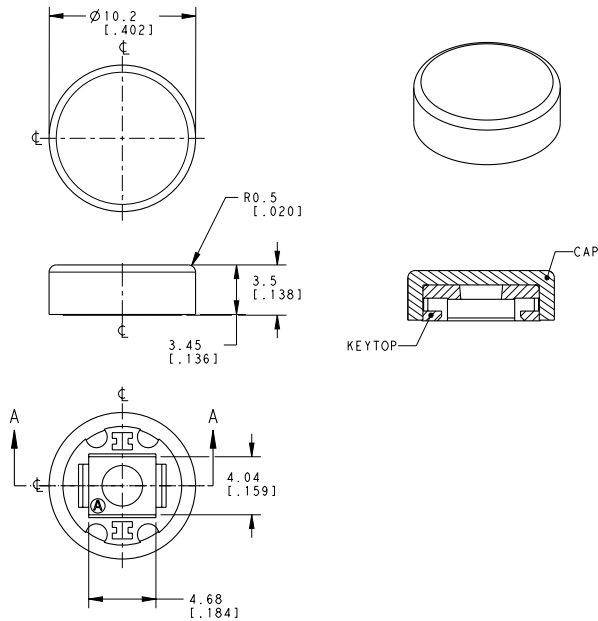
LI = low intensity  
HI = high intensity

Product Selection Information

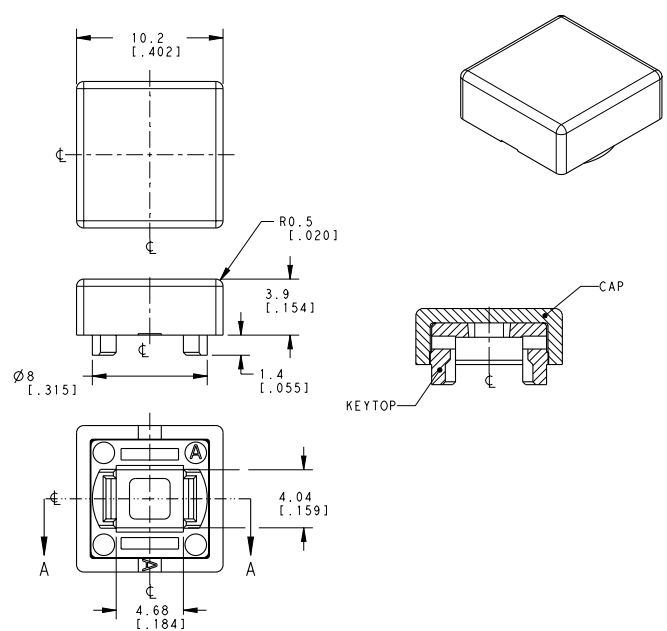
| Switch LED Color |   | Recommended Cap Color | TE PN Round Cap           | TE PN Square Cap          |
|------------------|---|-----------------------|---------------------------|---------------------------|
| Blue             |  | Blue                  | <a href="#">2311402-4</a> | <a href="#">2311403-4</a> |
| Pure Green       |  | Green                 | <a href="#">2311402-1</a> | <a href="#">2311403-1</a> |
| Yellow Green     |  | Yellow                | <a href="#">2311402-5</a> | <a href="#">2311403-5</a> |
| Yellow Green     |  | Green                 | <a href="#">2311402-1</a> | <a href="#">2311403-1</a> |
| Yellow           |  | Yellow                | <a href="#">2311402-5</a> | <a href="#">2311403-5</a> |
| Soft Orange      |  | Red                   | <a href="#">2311402-3</a> | <a href="#">2311403-3</a> |
| Red Orange       |  | Red                   | <a href="#">2311402-3</a> | <a href="#">2311403-3</a> |
| Red              |  | Red                   | <a href="#">2311402-3</a> | <a href="#">2311403-3</a> |
| Cold White       |  | Black                 | <a href="#">2311402-2</a> | <a href="#">2311403-2</a> |

Dimensions

Part Number 2311402



Part Number 2311403



te.com

© 2017 TE Connectivity. All Rights Reserved. ALCOSWITCH, TE, TE Connectivity, and the TE connectivity (logo) are trademarks of the TE Connectivity Ltd. family of companies. Other logos, product and Company names mentioned herein may be trademarks of their respective owners.

While TE has made every reasonable effort to ensure the accuracy of the information in this brochure, TE does not guarantee that it is error-free, nor does TE make any other representation, warranty or guarantee that the information is accurate, correct, reliable or current. TE reserves the right to make any adjustments to the information contained herein at any time without notice. TE expressly disclaims all implied warranties regarding the information contained herein, including, but not limited to, any implied warranties of merchantability or fitness for a particular purpose. The dimensions in this catalog are for reference purposes only and are subject to change without notice. Specifications are subject to change without notice. Consult TE for the latest dimensions and design specifications.

1-1773878-5 BH 01/2017

USA: +1 (800) 522-6752  
 Canada: +1 (905) 475-6222  
 Mexico: +52 (0) 55-1106-0800  
 Latin/S. America: +54 (0) 11-4733-2200  
 Germany: +49 (0) 6251-133-1999  
 UK: +44 (0) 800-267666  
 France: +33 (0) 1-3420-8686  
 The Netherlands: +31 (0) 73-6246-999  
 China: +86 (0) 400-820-6015

## X-ON Electronics

Largest Supplier of Electrical and Electronic Components

*Click to view similar products for [Tactile Switches](#) category:*

*Click to view products by [TE Connectivity](#) manufacturer:*

Other Similar products are found below :

[KMR633NG LFG](#) [5GTH92001](#) [5GTH9202242](#) [6426-201-11343](#) [MJ1226](#) [MJTP1109B](#) [MJTP1138EAUTR](#) [MJTP1230BL](#) [MJTPSHW](#)  
[GS6.90F300QP](#) [1-1977223-0](#) [1-1977120-4](#) [ADTSA62NV](#) [ADTSA62RV](#) [ADTSA63KV](#) [ADTSA644NV](#) [ADTSM24NVTR](#) [ADTSMW66NV](#)  
[ADTSMW67RV](#) [ATM533VTR](#) [1571300-3](#) [B3F-3123](#) [B3F-6055A](#) [B3F-B32-01-KIT](#) [1977177-8](#) [1977266-1](#) [2-1977223-4](#) [2-1977223-7](#)  
[ADTS644KV](#) [ADTSA61RV](#) [ADTSA62KV](#) [ADTSA63NV](#) [ADTSA63RV](#) [ADTSA65NV](#) [ADTSM21NSVTR](#) [ADTSM25RVTR](#)  
[ADTSM31RVTR](#) [ADTSM32NVTR](#) [ADTSM61YVTR](#) [ADTSM63SVTR](#) [ADTSM644KVTR](#) [ADTSMW64RV](#) [ADTSMW69NV](#)  
[FSMRA4JHA04](#) [GS4.70F300QP](#) [D38999/20JJ37SA](#) [TL1105B](#) [TL1105J](#) [ATH447K2Q](#) [ATM534VTR](#)