

LOC		DIST		REVISIONS			
P	LTR	DESCRIPTION	DATE	DMN	APVD		
B		REVISED PER ECO-11-001829	31JAN11	HMR	MW		

SPECIFICATIONS:

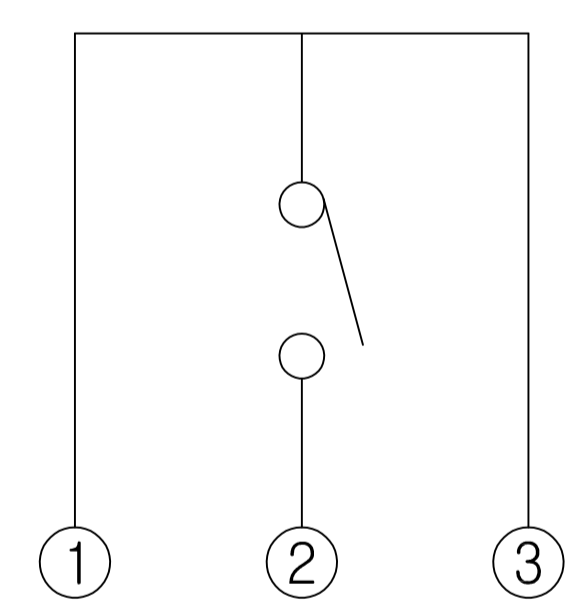
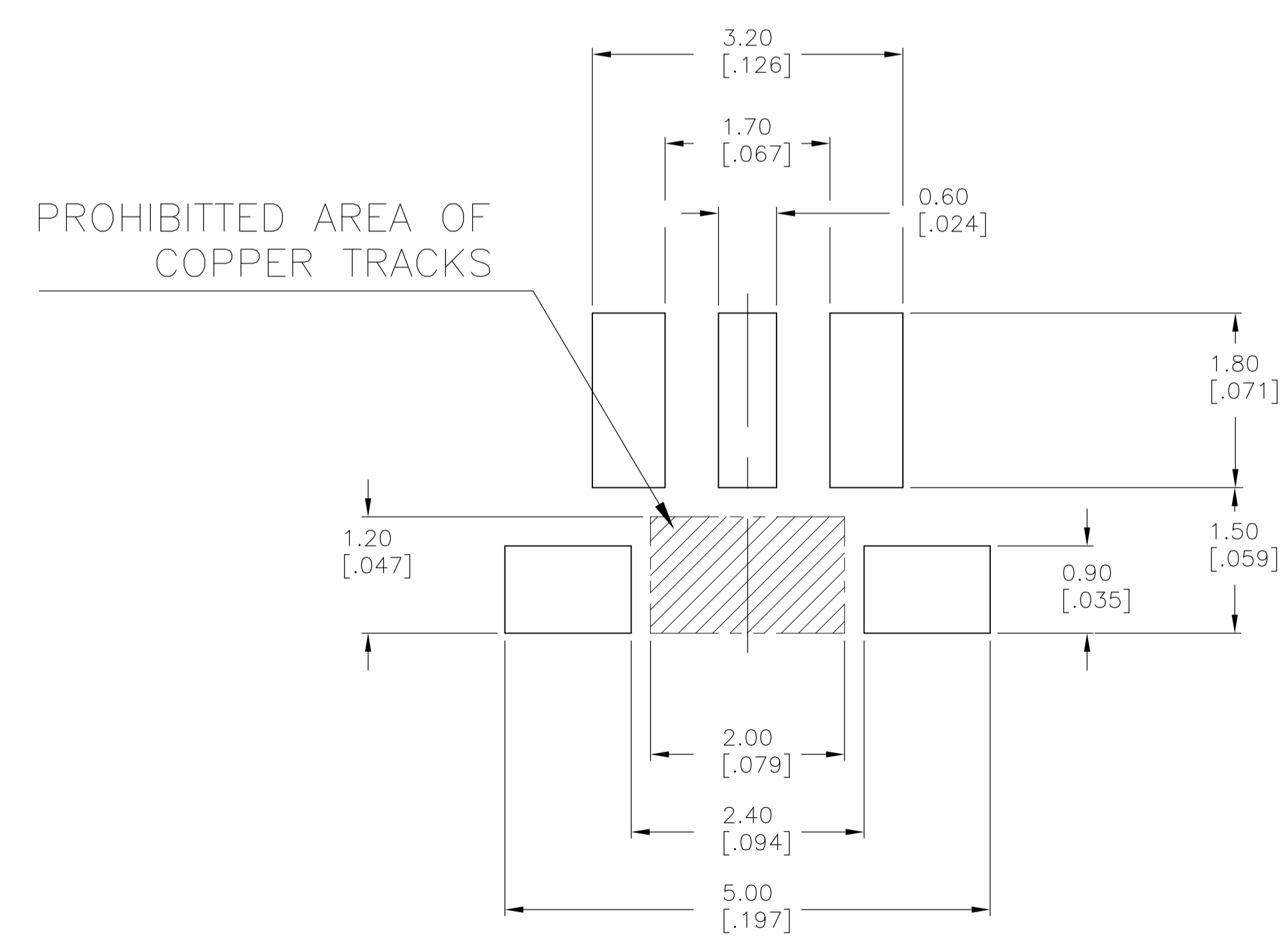
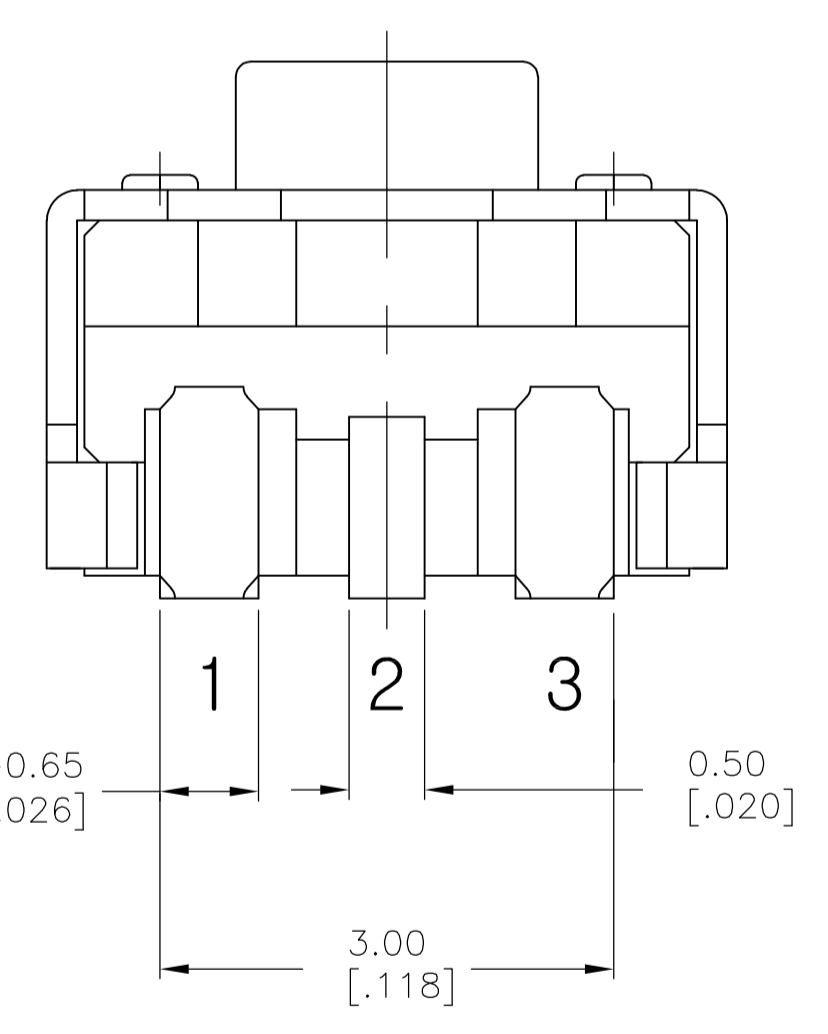
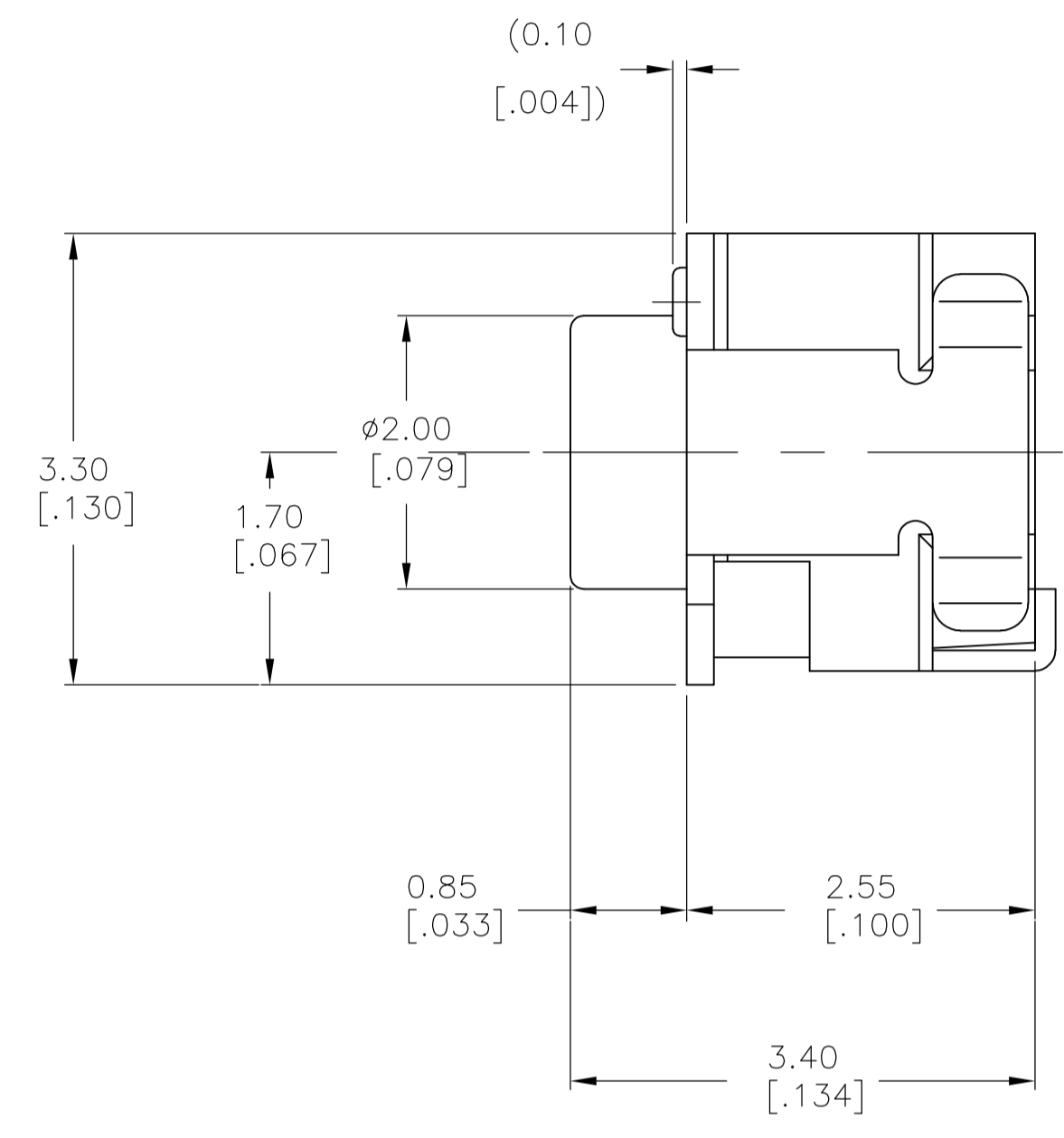
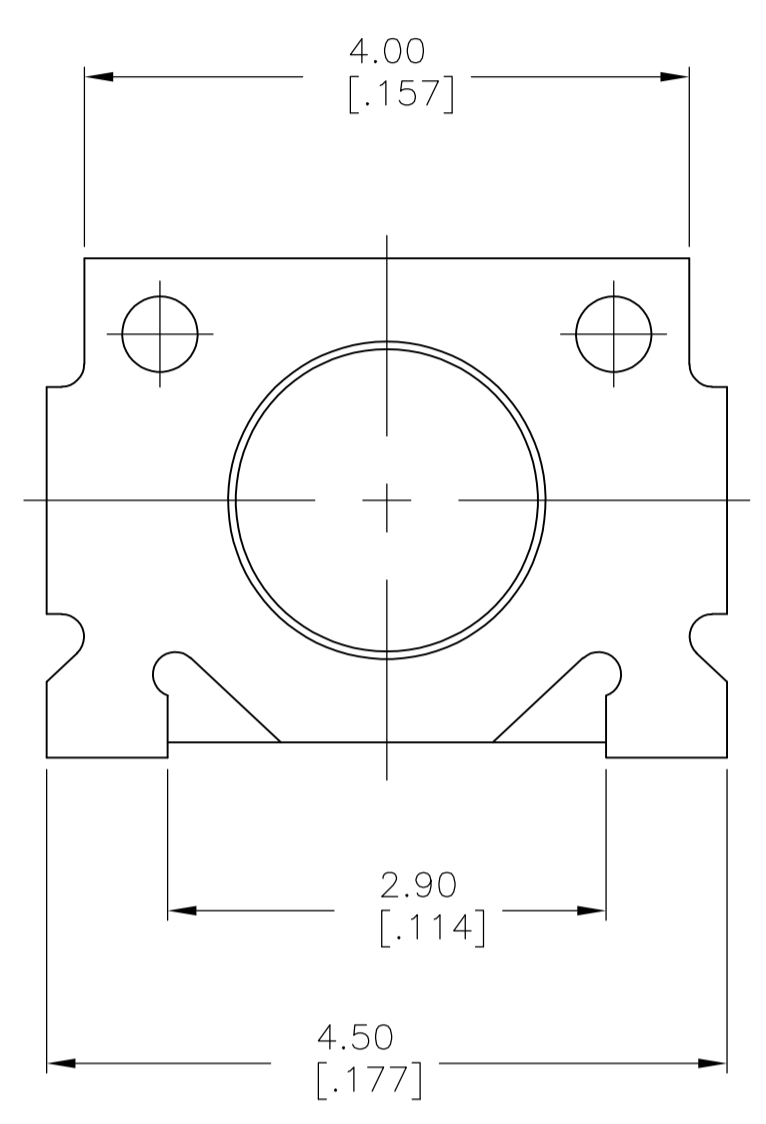
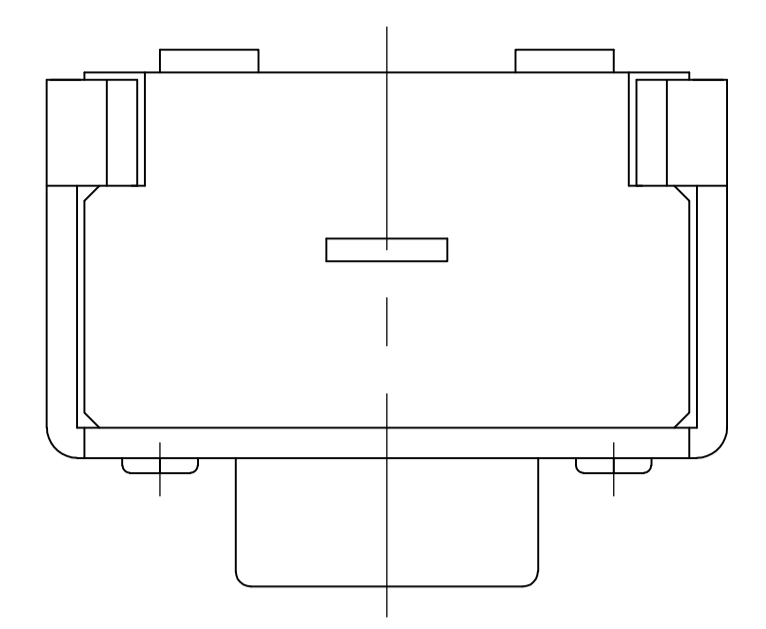
MATERIALS: CASE, PPA UL94V-0, BLACK FINISH  
 ACTUATOR, PPA UL94HB, IVORY FINISH  
 BRACKET, STEEL, TIN FINISH  
 MOVING CONTACT, STAINLESS STEEL, SILVER FINISH  
 FIXED CONTACT/TERMINAL, COPPER ALLOY, SILVER OVER NICKEL FINISH

ELECTRICAL:  
 MAX CONTACT RATING, 50MA@ 12VDC  
 MIN CONTACT RATING, 10MICROAMP@1V DC  
 INITIAL CONTACT RESISTANCE, 500 MILLIOHMS MAX  
 INSULATION RESISTANCE, 100 MEGOHM MIN  
 DIELECTRIC STRENGTH, 500 V AC FOR 1 MINUTE  
 CONTACT BOUNCE, LESS THAN 10 MILLISECOND  
 LIFE EXPECTANCY, 100,000 CYCLES

MECHANICAL:  
 ACTUATION FORCE, 160 +/-50GF  
 ACTUATION TRAVEL, .20 +/--.10 MM  
 LIFE EXPECTANCY, 100,000 CYCLES MIN

ENVIRONMENTAL:  
 OPERATING TEMPERATURE, -35 TO +85 DEGREES C  
 STORAGE TEMPERATURE, -35 TO +85 DEGREES C  
 THERMAL SHOCK, PER EIA-364-32C, -35 TO +85 DEGREES C  
 SOLDERABILITY, PER EIA-364-52, CLASS 2, CATEGORY 1, TEMP, 245 DEGREES C MAX, TIME, 2.5 SECONDS  
 MAX. 95% MINIMUM COVERAGE  
 RESISTANCE TO SOLDER HEAT, PER 109-201, CONDITION B  
 1.NO CHANGE IN INITIAL ELECTRICAL AND MECHANICAL CHARACTERISTICS

1 ALL MATERIALS AND FINISHES SHALL COMPLY WITH EU DIRECTIVE 2002/95/EC OF 27JAN2003 (ROHS)



CIRCUIT DIAGRAM

1977067-1  
 PART NUMBER

THIS DRAWING IS A CONTROLLED DOCUMENT.		DIN M. BINNER	08MAR2007	Tyco Electronics Corporation Harrisburg, PA 17105-3608																			
DIMENSIONS: mm		TOLERANCES UNLESS OTHERWISE SPECIFIED:	APVD	NAME																			
<table border="1"> <tr><td>0. PLC</td><td>±</td><td>-</td></tr> <tr><td>1. PLC</td><td>±</td><td>-</td></tr> <tr><td>2. PLC</td><td>±</td><td>0.30[.012]</td></tr> <tr><td>3. PLC</td><td>±</td><td>-</td></tr> <tr><td>4. PLC</td><td>±</td><td>-</td></tr> <tr><td>ANGLES</td><td>±</td><td>-</td></tr> </table>		0. PLC	±	-	1. PLC	±	-	2. PLC	±	0.30[.012]	3. PLC	±	-	4. PLC	±	-	ANGLES	±	-	PRODUCT SPEC	R/A TACT SWITCH SMT W/OUT LOCATING PEGS		
0. PLC	±	-																					
1. PLC	±	-																					
2. PLC	±	0.30[.012]																					
3. PLC	±	-																					
4. PLC	±	-																					
ANGLES	±	-																					
MATERIAL		FINISH	WEIGHT	SIZE	RESTRICTED TO																		
				A1 00779																			
CUSTOMER DRAWING		SCALE	20:1	SHEET	1 OF 1																		

## X-ON Electronics

Largest Supplier of Electrical and Electronic Components

*Click to view similar products for [Tactile Switches](#) category:*

*Click to view products by [TE Connectivity](#) manufacturer:*

Other Similar products are found below :

[5GTH92001](#) [1-1977120-4](#) [ADTSA62NV](#) [ADTSA62RV](#) [ADTSA63KV](#) [ADTSA644NV](#) [ADTSMW66NV](#) [ADTSMW67RV](#) [B3F-3123](#) [B3F-6055A](#) [B3F-B32-01-KIT](#) [1977177-8](#) [1977266-1](#) [ADTS644KV](#) [ADTSA61RV](#) [ADTSA62KV](#) [ADTSA63NV](#) [ADTSA63RV](#) [ADTSM21NSVTR](#) [ADTSM32NVTR](#) [ADTSM63SVTR](#) [ADTSM644KVTR](#) [ADTSMW64RV](#) [ADTSMW69NV](#) [FSMRA4JHA04](#) [GS4.70F300QP](#) [3ESH9R](#) [506E00201](#) [MJTP1164TR](#) [3FTL600RAS](#) [3FTL640RAS](#) [Y96K132V0FPLFS](#) [101-TS5022T1601-EV](#) [5GSH92001](#) [KSJ0A231](#) [80SH LFG](#) [ADTSM31NVTR](#) [EVQ-P1D05K](#) [MJTP1162TR](#) [ADTSM63KV](#) [2-1977120-7](#) [TSJW-5.2-260-TR](#) [KMT011MNGJLHS](#) [B3WN6002S](#) [ADTSA648RV](#) [70-201.0](#) [ADTSG648NV](#) [ADTSM62KSVTR](#) [ATA600VTR](#) [ADTSG66RV](#) [ADTS61NV](#)