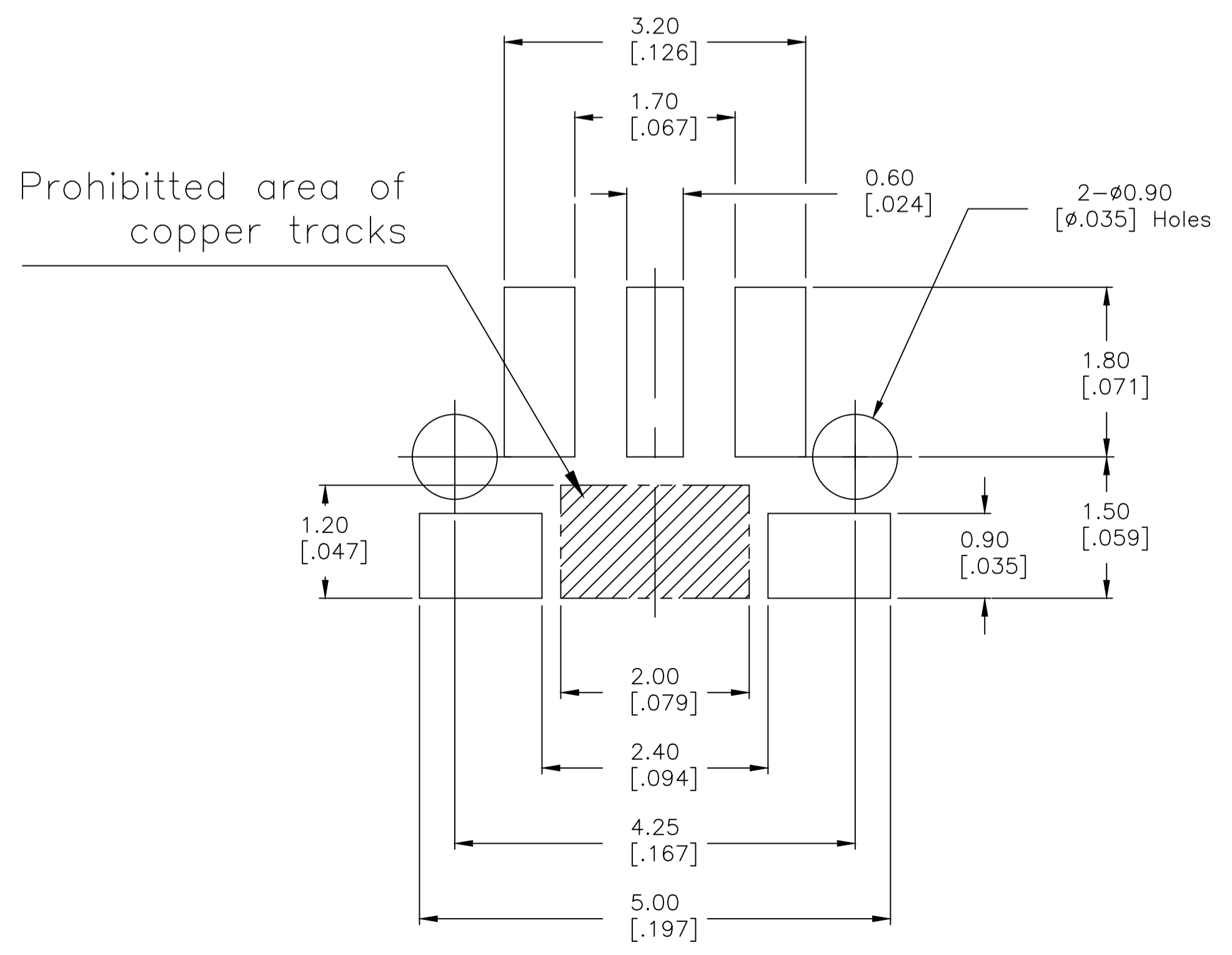
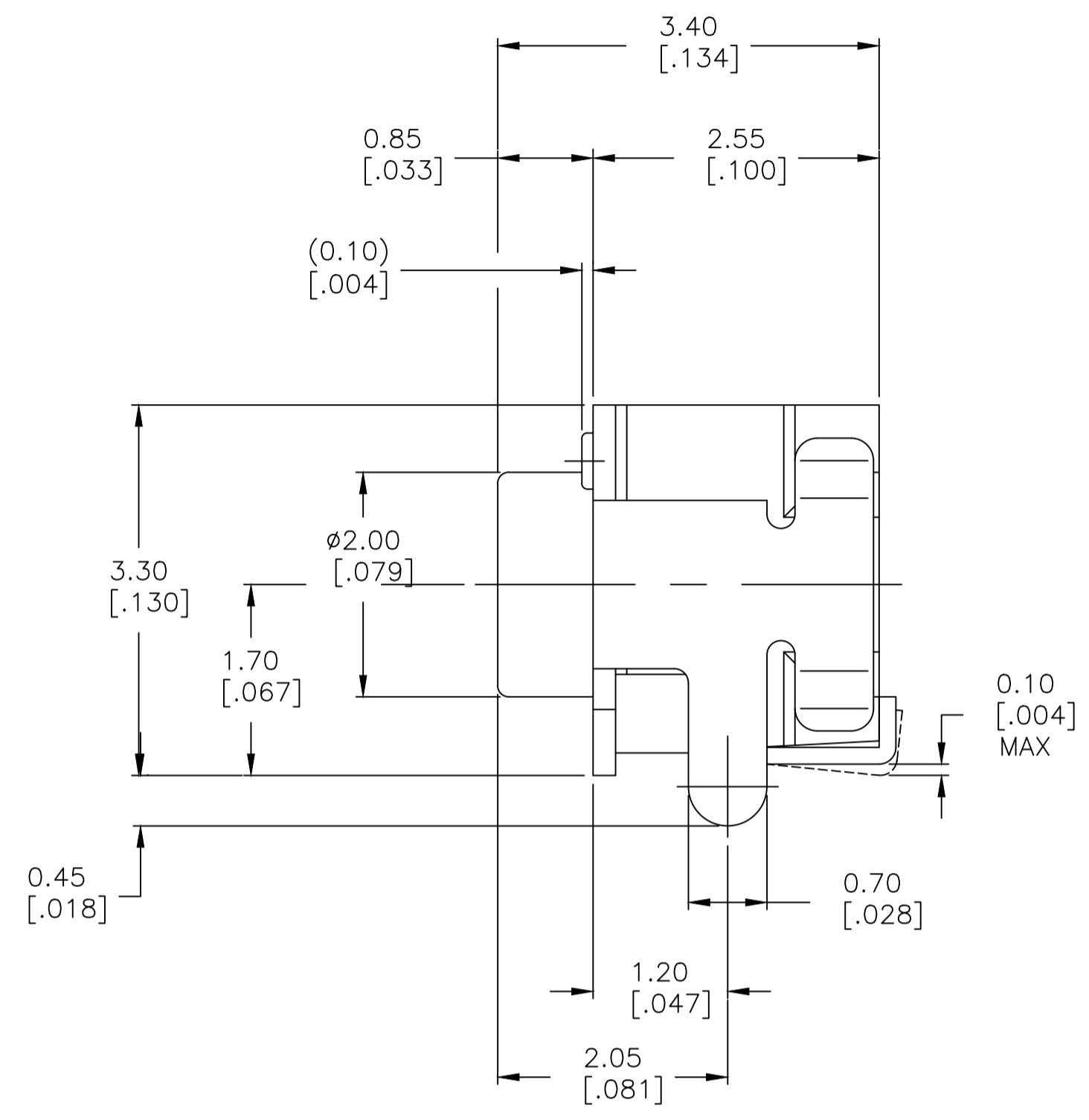
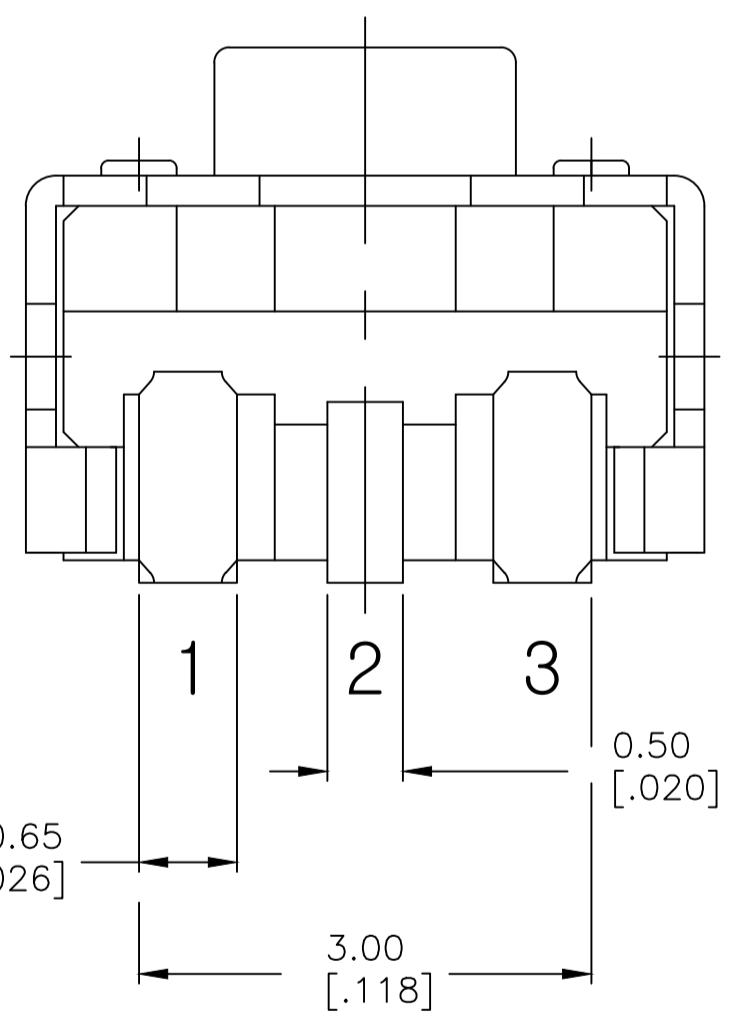
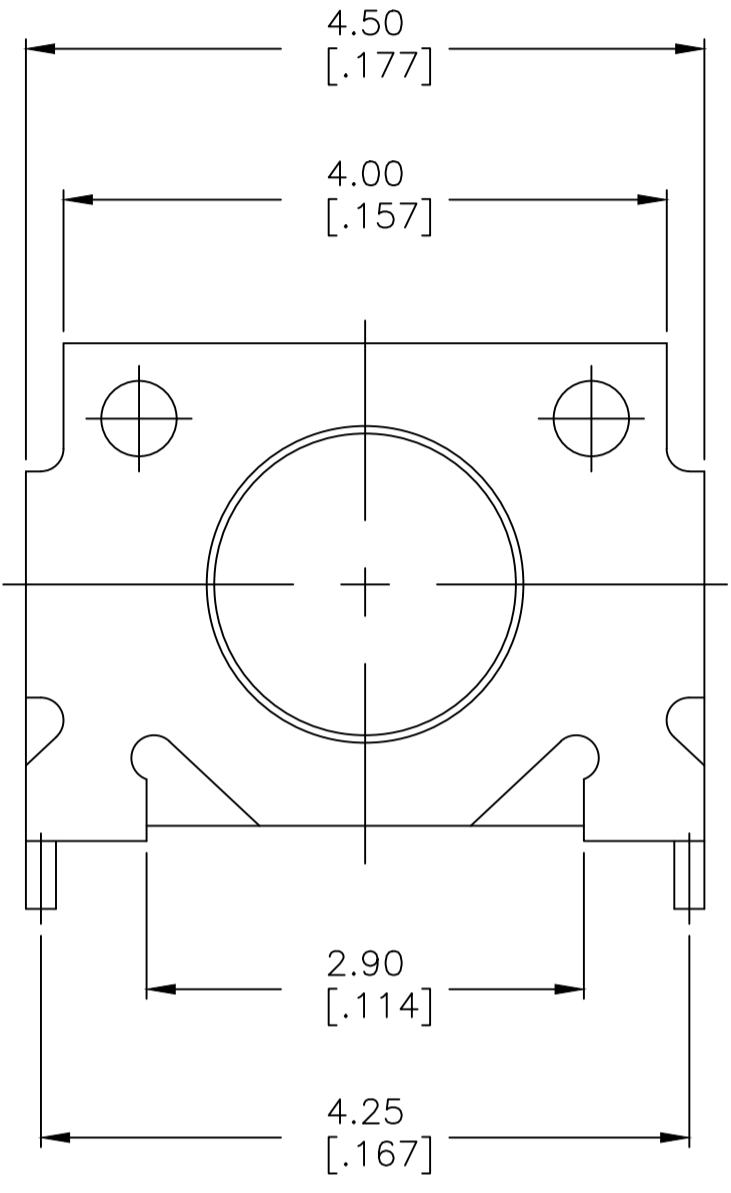
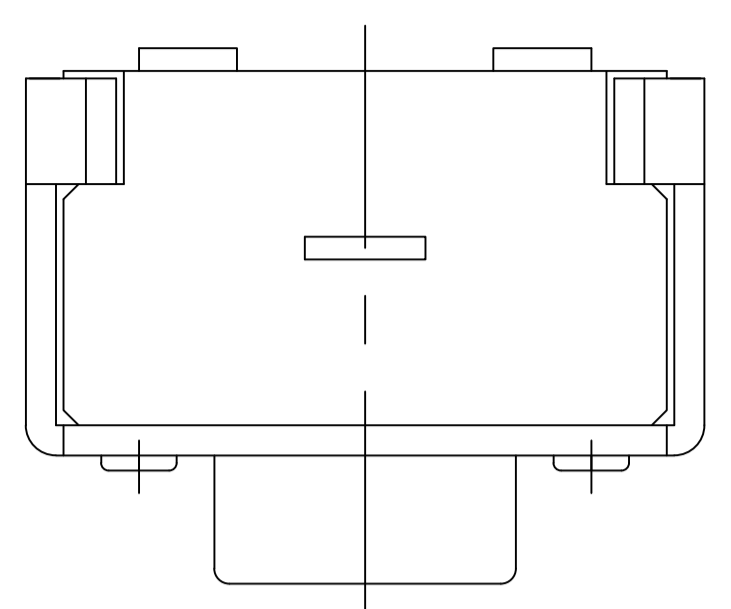


REVISIONS				
P	LTR	DESCRIPTION	DATE	APVD
C1		REVISED PER ECR-17-010390	18JUL2017	SK AS



P.C.B MOUNTING SOLDER LAND DIMENSION

SPECIFICATIONS:

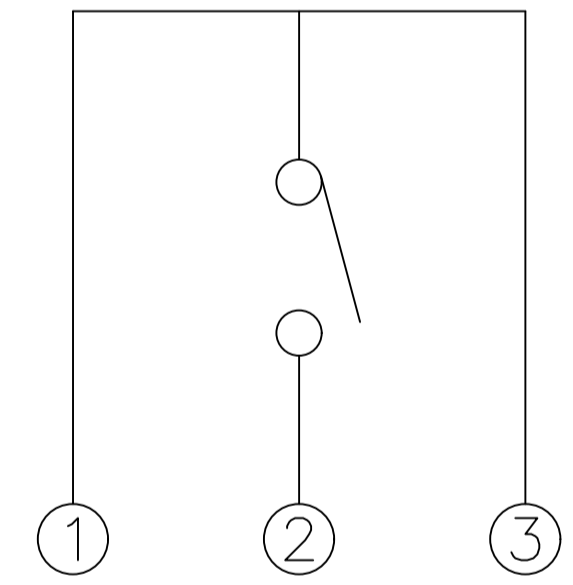
MATERIALS: CASE, PPA UL94V-0, BLACK FINISH  
 ACTUATOR, PPA UL94HB, IVORY FINISH  
 BRACKET, STEEL, TIN FINISH  
 MOVING CONTACT, STAINLESS STEEL, SILVER FINISH  
 FIXED CONTACT/TERMINAL, COPPER ALLOY, SILVER OVER NICKEL FINISH

ELECTRICAL:  
 MAX CONTACT RATING, 50MA@ 12VDC  
 MIN CONTACT RATING, 10MICROAMP@1V DC  
 INITIAL CONTACT RESISTANCE, 500 MILLIOHMS MAX  
 INSULATION RESISTANCE, 100 MEGOHM MIN  
 DIELECTRIC STRENGTH, 500 V AC FOR 1 MINUTE  
 CONTACT BOUNCE, LESS THAN 10 MILLISECOND  
 LIFE EXPECTANCY, 100,000 CYCLES

MECHANICAL:  
 ACTUATION FORCE, 160 +/-50GF  
 ACTUATION TRAVEL, .20 +/- .10 MM  
 LIFE EXPECTANCY, 100,000 CYCLES MIN

ENVIRONMENTAL:  
 OPERATING TEMPERATURE, -35 TO +85 DEGREES C  
 STORAGE TEMPERATURE, -35 TO +85 DEGREES C  
 THERMAL SHOCK, PER EIA-364-32C, -35 TO +85 DEGREES C  
 SOLDERABILITY, PER EIA-364-52, CLASS 2, CATEGORY 1, TEMP, 245 DEGREES C MAX, TIME, 2.5 SECONDS  
 MAX, 95% MINIMUM COVERAGE  
 RESISTANCE TO SOLDER HEAT, PER 109-201, CONDITION B  
 1. NO CHANGE IN INITIAL ELECTRICAL AND MECHANICAL CHARACTERISTICS

1 ALL MATERIALS AND FINISHES SHALL COMPLY WITH EU DIRECTIVE 2002/95/EC OF 27JAN2003 (ROHS)



CIRCUIT DIAGRAM

1977066-1  
 PART NUMBER

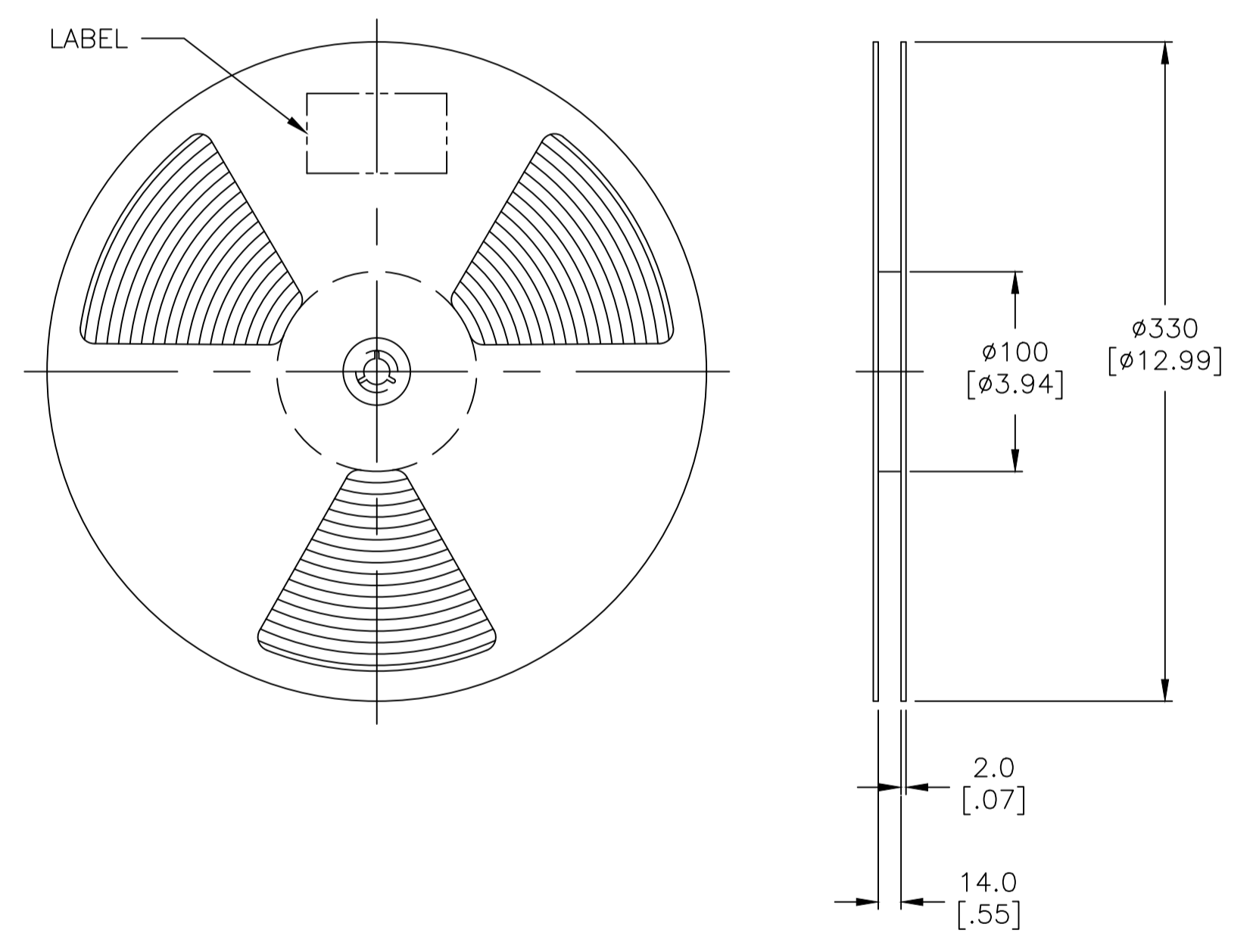
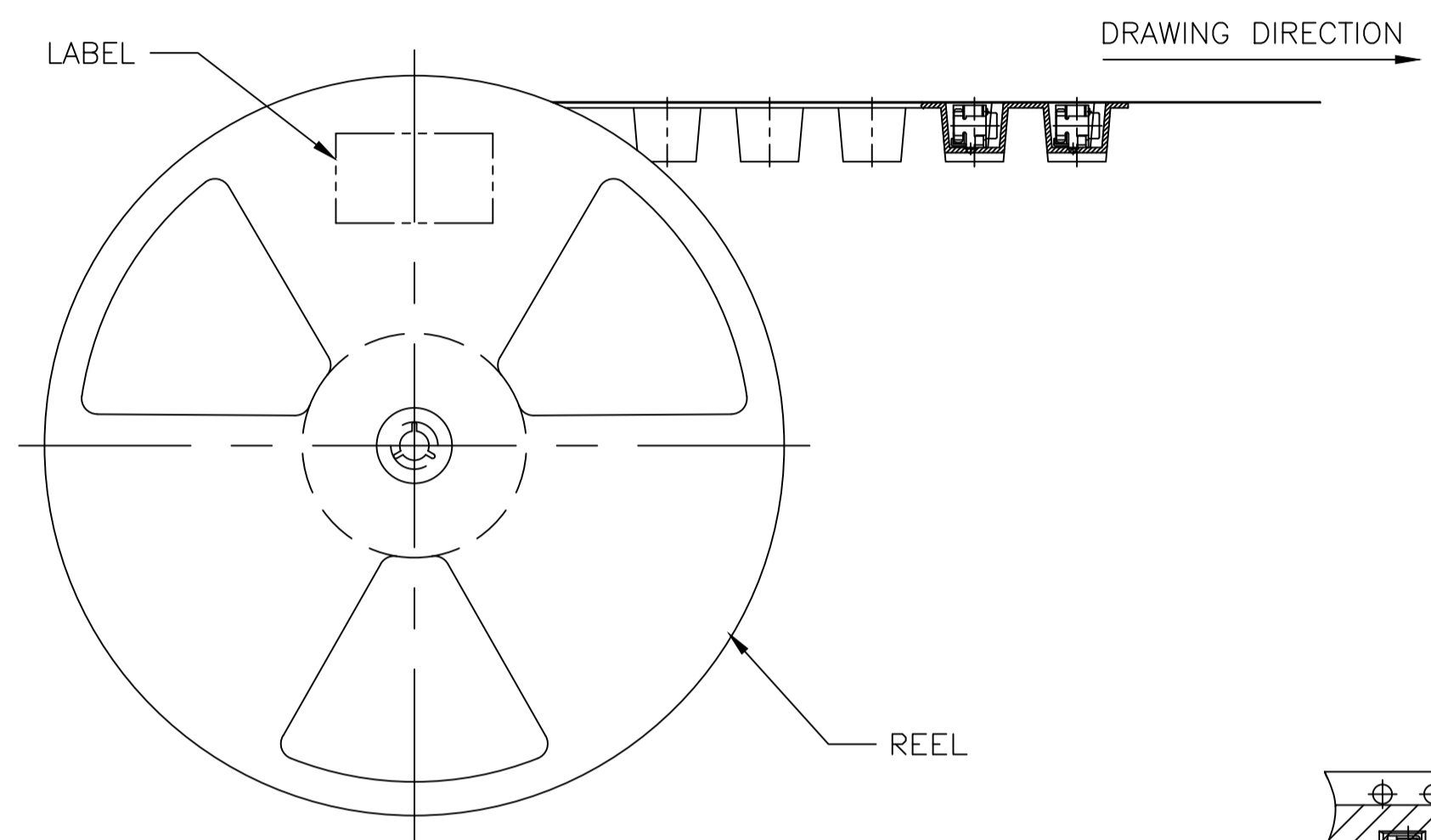
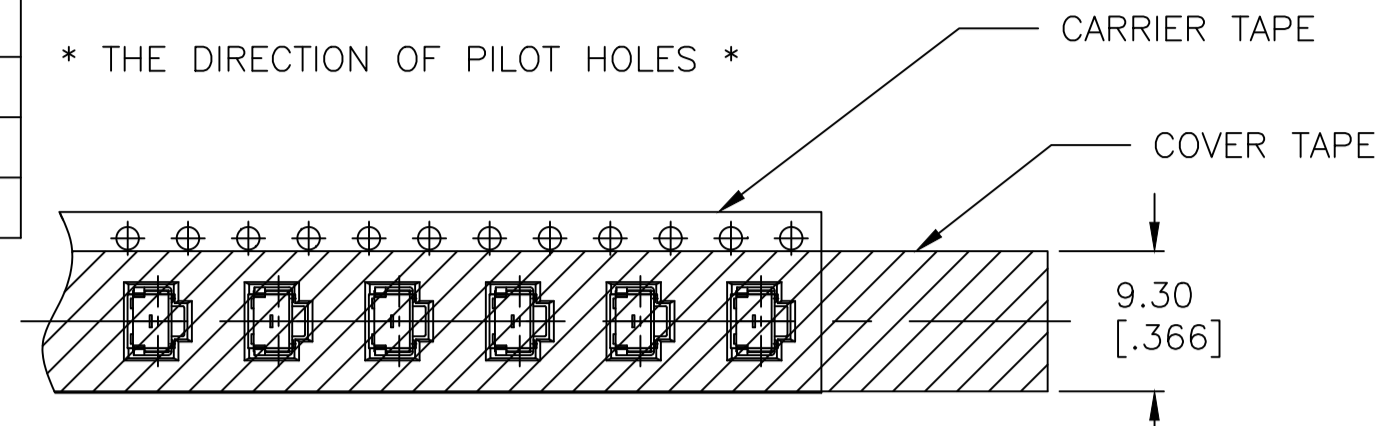
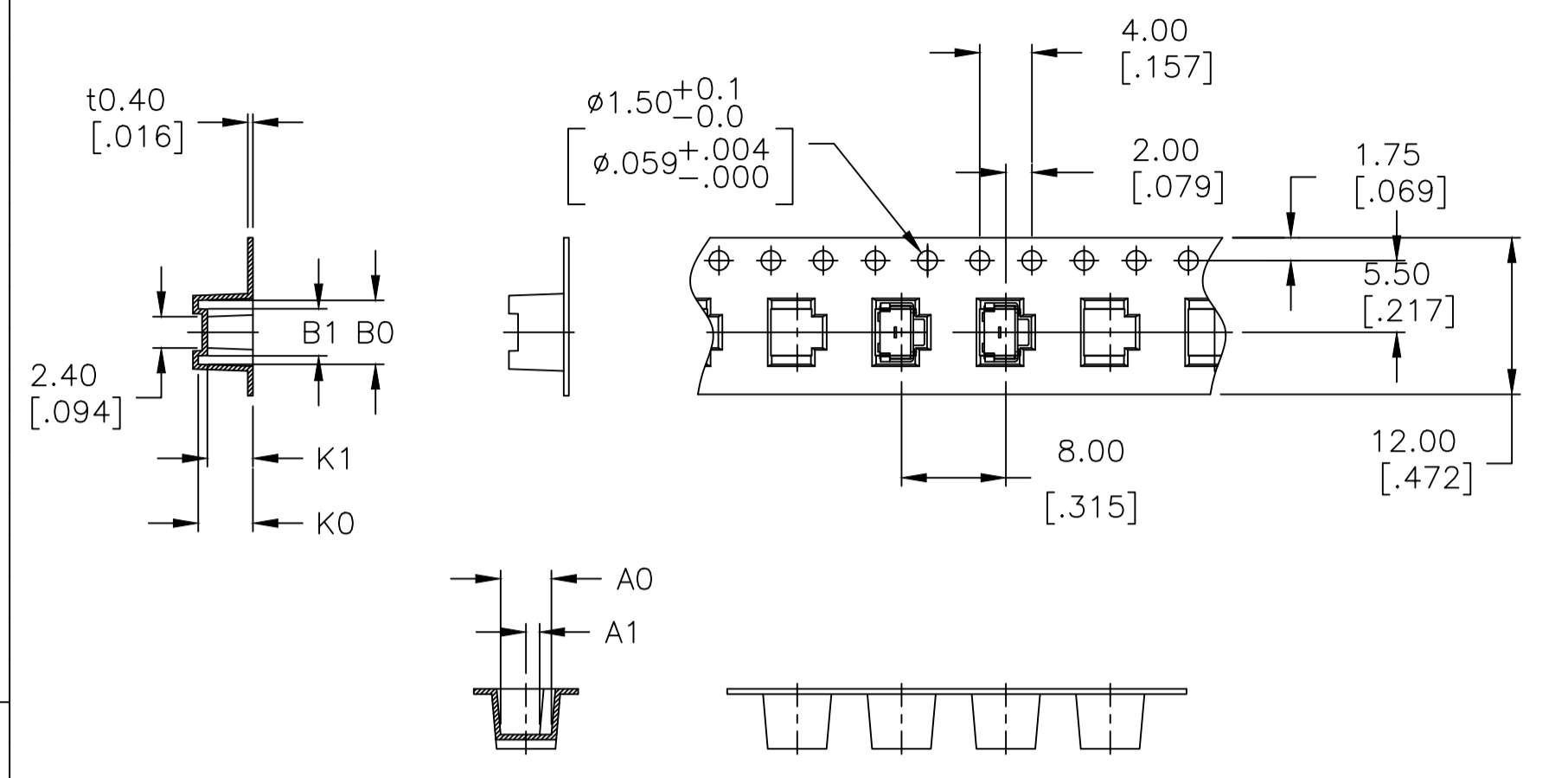
THIS DRAWING IS A CONTROLLED DOCUMENT.		DWN M.BINNER	08MAR2007	TE Connectivity	
DIMENSIONS: mm [INCHES]		TOLERANCES UNLESS OTHERWISE SPECIFIED:	APVD	NAME	
0 PLC ± .		1 PLC ± .	---	R/A TACT SWITCH	
1 PLC ± .		2 PLC ± 0.30[0.12]	---	SMT W/ LOCATING PEGS	
2 PLC ± .		3 PLC ± .	---	---	
3 PLC ± .		4 PLC ± .	---	---	
4 PLC ± .		ANGLES ± .	---	---	
MATERIAL		FINISH	WEIGHT	SIZE	RESTRICTED TO
---		---	---	A1	---
CUSTOMER DRAWING		CAGE CODE	DRAWING NO	SCALE	
---		---	---	20:1	
---		---	---	SHEET 1 OF 2	
---		---	---	REV C1	

REVISIONS				
P	LTR	DESCRIPTION	DATE	APVD
-	-	SEE SHEET 1	-	-

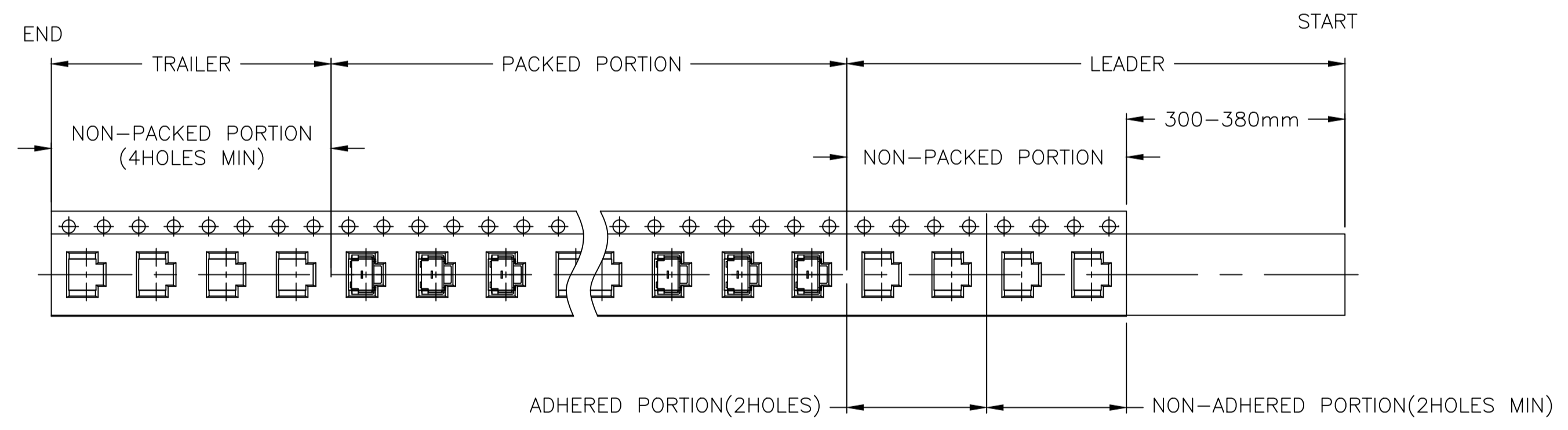
\* THE DIMENSION OF CARRIER TAPE, COVER TAPE AND REEL \*

± . <sup>o</sup> D	Äi	¼ö
A0	3.9±0.1	[.153±.003]
A1	1.05±0.1	[.041±.003]
B0	4.9±0.1	[.192±.003]
B1	3.6±0.1	[.141±.003]
K0	4.2±0.1	[.165±.003]
K1	3.5±0.1	[.137±.003]

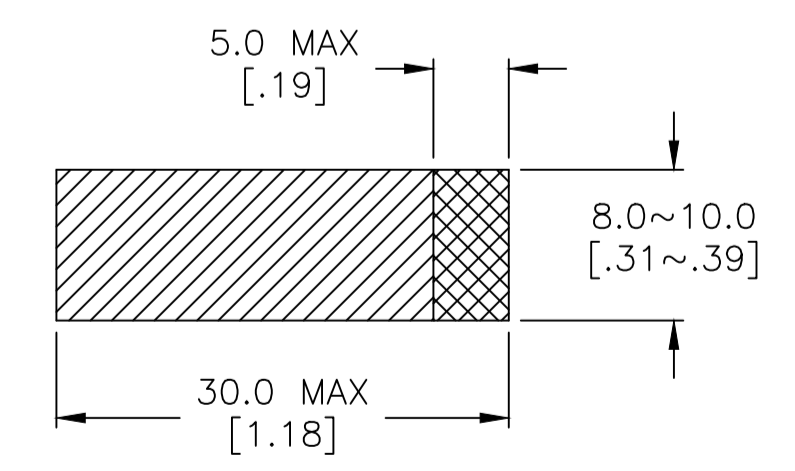
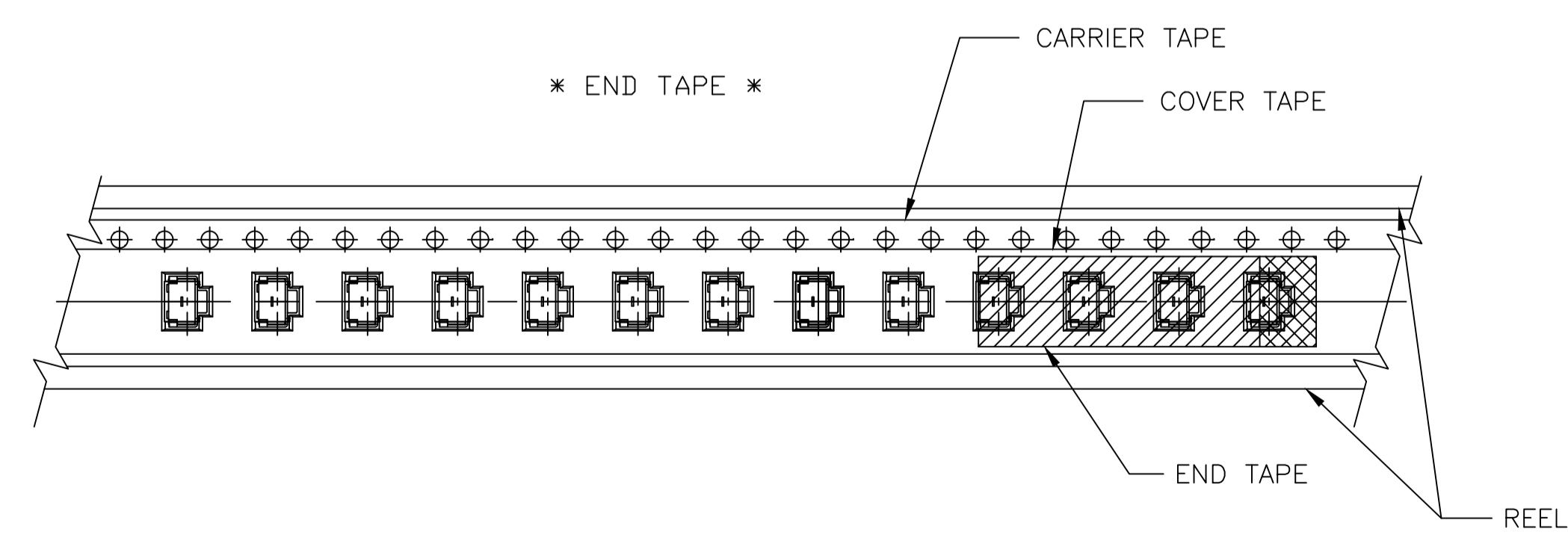
\* THE DIRECTION OF PILOT HOLES \*



\* THE SPECIFICATION FOR PACKAGING \*



\* END TAPE \*



- 1 2,000 PCS SWITCHES PER 1 REEL
- 2 GENERAL TOLERANCE : ±0.1[±.003]
- 3 MATERIAL : CARRIER TAPE-POLYPROPYLENE,PC OR POLYSTYRENE  
COVER TAPE-POLYESTER  
REEL-ABS  
END TAPE COLOR-GREEN OR IVORY

THIS DRAWING IS A CONTROLLED DOCUMENT.		DWN M.BINNER	08MAR2007	<b>TE</b> TE Connectivity	
DIMENSIONS: mm [INCHES]		CHK ---	APVD ---		
TOLERANCES UNLESS OTHERWISE SPECIFIED:		PRODUCT SPEC		RESTRICTED TO	
0 PLC ± -		---		SIZE CAGE CODE DRAWING NO	
1 PLC ± -		---		A1 00779 ©=1977066	
2 PLC ± 0.30[.012]		---		SCALE 20:1 SHEET 2 OF 2 REV C1	
3 PLC ± -		---		CUSTOMER DRAWING	
4 PLC ± -		---			
ANGLES ± -		---			
FINISH -		---			

## X-ON Electronics

Largest Supplier of Electrical and Electronic Components

*Click to view similar products for [Tactile Switches](#) category:*

*Click to view products by [TE Connectivity](#) manufacturer:*

Other Similar products are found below :

[5GTH92001](#) [1-1977120-4](#) [ADTSA62RV](#) [ADTSA63KV](#) [ADTSA644NV](#) [ADTSMW66NV](#) [ADTSMW67RV](#) [B3F-3123](#) [B3F-6055A](#) [B3F-B32-01-KIT](#) [1977177-8](#) [1977266-1](#) [ADTS644KV](#) [ADTSA61RV](#) [ADTSA62KV](#) [ADTSA63NV](#) [ADTSA63RV](#) [ADTSM21NSVTR](#) [ADTSM32NVTR](#) [ADTSM63SVTR](#) [ADTSM644KVTR](#) [ADTSMW64RV](#) [ADTSMW69NV](#) [FSMRA4JHA04](#) [GS4.70F300QP](#) [3ESH9R](#) [506E00201](#) [MJTP1164TR](#) [3FTL600RAS](#) [3FTL640RAS](#) [Y96K132V0FPLFS](#) [101-TS5022T1601-EV](#) [5GSH92001](#) [KSJ0A231](#) [80SH](#) [LFG](#) [EVQ-P1D05K](#) [MJTP1162TR](#) [ADTSM63KV](#) [TSJW-5.2-260-TR](#) [KMT011MNGJLHS](#) [B3WN6002S](#) [ADTSA648RV](#) [70-201.0](#) [ADTSG648NV](#) [ADTSM62KSVTR](#) [ATA600VTR](#) [ADTSG66RV](#) [ADTS61NV](#) [ADTSM62KVTR](#) [ADTSM25KSVB](#) [ADTS65RV](#)