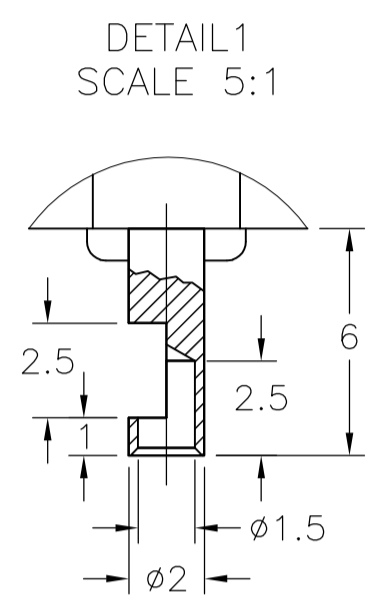
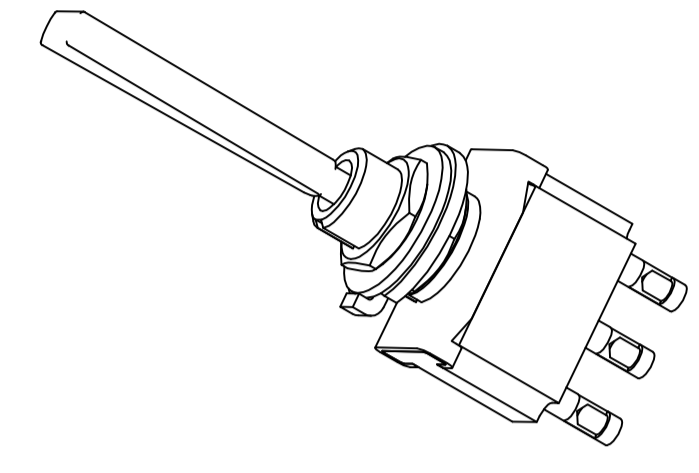
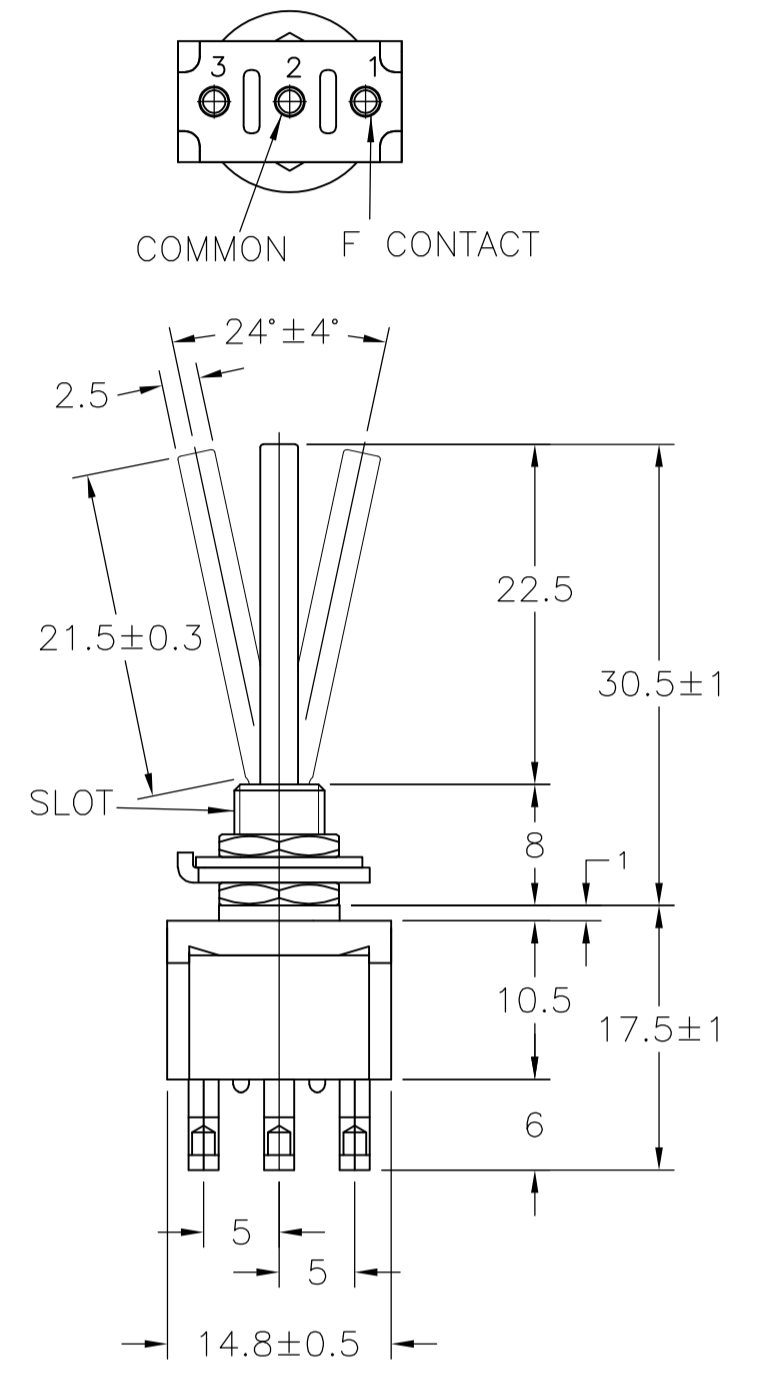
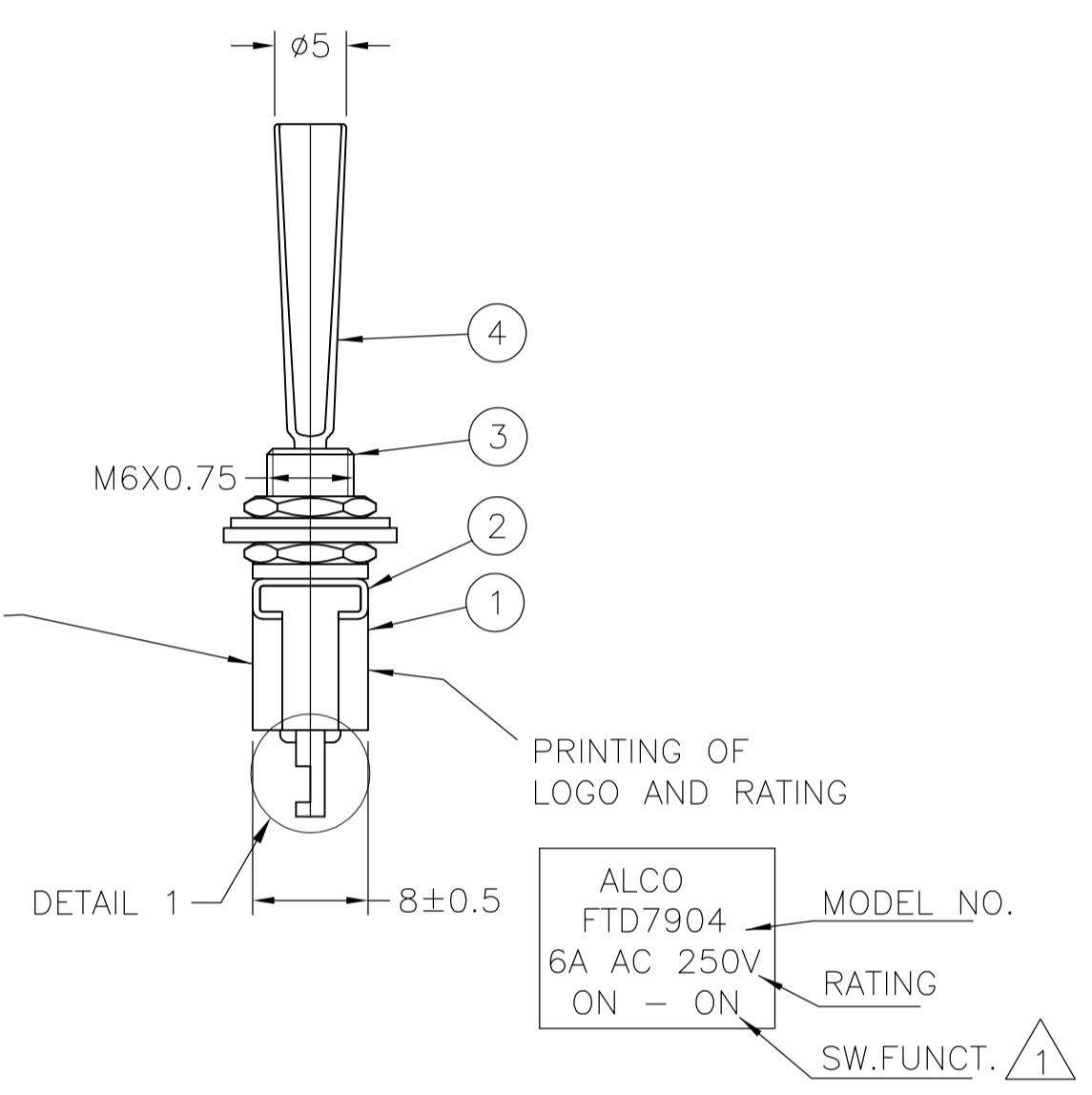


LOC		DIST		REVISIONS			
P	LTR	DESCRIPTION	DATE	DWN	APVD		
A1		REVISED PER ECO-10-014168	02AUG10	HMR	MW		



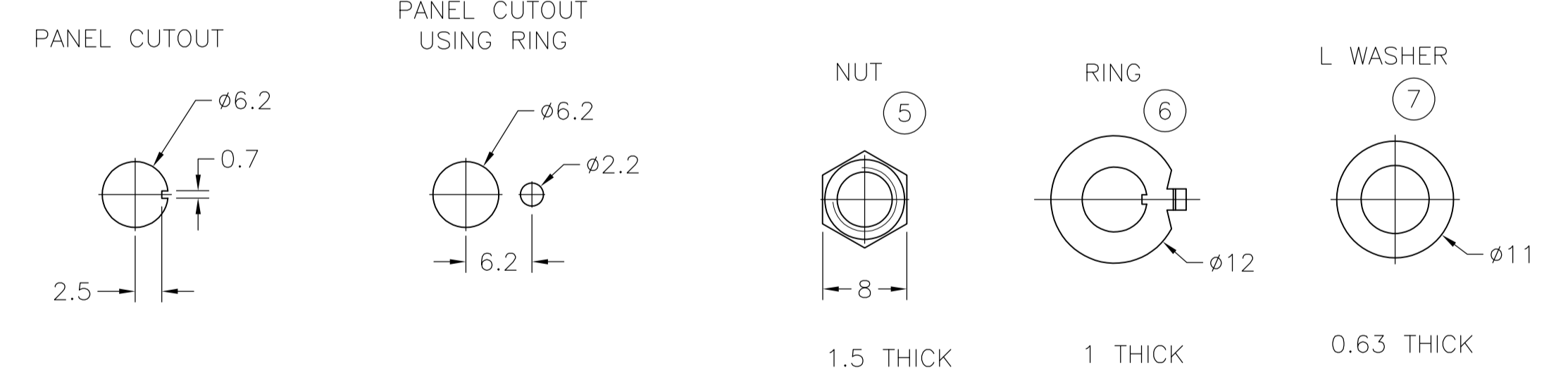
DATE CODE PRINTING LAST DIGIT OF YEAR
 A-L = JANUARY TO DECEMBER DAY



FUNCTION CHART				
TE PN	PART	TERMINALS 2 AND 3		TERMINALS 1 AND 2
5-6437630-3	FTD7904	ON	NONE	ON
5-6437630-4	FTD79G04	ON	NONE	ON
5-6437630-8	FTE79G04	ON	OFF	ON

(ON): MOMENTARY ACTION
 (OFF): MECHANICAL POSITION WITHOUT ELECTRICAL CONNECTION
 NONE: NO MECHANICAL POSITION

- △ 1 0.5VA NO SWITCH FUNCTION WILL BE MARKED BUT WILL BE MARKED GOLD CON.
- 2 OPERATING TEMPERATURE -20~C TO +70~C
- 3 ALL MATERIALS AND FINISHES COMPLY WITH ROHS DIRECTIVE



MATERIALS CHART				
OPTIONAL DESCRIPTION	MATERIAL/SURFACE	PART NAME	PART NO	
	Ep-Fe/Cu2,Ni4b	SK-5	L WASHER	7
	Ep-Fe/Cu2,Ni3b	SPCC	RING	6
	Ep-Cu/Ni3b	C3602BD	NUT	5
	Ep-Cu/Ni3,Cr1b	C3602BD	ACTUATOR	4
	Ep-Cu/Ni3b	C3602BD	BUSHING	3
		SUS	FRAME	2
		POLYESTER RESIN	CASE	1

TE PN	PART	F CONTACT	COMMON	RATING	INITIAL CONTACT RESISTANCE	INSULATION RESISTANCE	DIELECTRIC STRENGTH	ENDURANCE
5-6437630-4 5-6437630-8	FTD79G04 FTE79G04	C3602BD Ep-Cu/Ni3,Au1b	C3602BD Ep-Cu/Ni3,Au1b	20V AC/DC 0.4VA MAX	MAX 10 MILLIOHMS AT DC 2 ~ 4V 0.1A	MIN 1000 M Ohms AT DC 500V	AC 1KV/1min (AC 1.2KV/1sec)	ELECTRICALLY 50,000 CYCLES AT 20 CYCLES/MIN (RATED LOAD RESISTIVE) MECHANICALLY 100,000 CYCLES AT 20 CYCLES/MIN
5-6437630-3	FTD7904	99,8% Silver + C3602BD Ep-Cu/Ni3,AuFb	C3602BD Ep-Cu/Ni3,AuFb	AC 125V 6A AC 250V 6A	MAX 10 MILLIOHMS AT DC 2 ~ 4V 1A			
		CONTACT MATERIAL			SPECIFICATIONS			

DIMENSIONS:		TOLERANCES UNLESS OTHERWISE SPECIFIED:		APPLICABLE SPEC		MATERIAL		FINISH	
mm		0 PLC	± -						
		1 PLC	± -						
		2 PLC	± -						
		3 PLC	± -						
		4 PLC	± -						
		ANGLES	± -						

THIS DRAWING IS A CONTROLLED DOCUMENT.		DWN RAGHAVENDRA 02AUG10		Tyco Electronics Corporation Harrisburg, PA 17105-3608	
CHK MICHAEL WILBOURN 02AUG10		NAME MICHAEL WILBOURN		Toggle Switch Single Pole SP LONG LEVER	
PRODUCT SPEC		APPLICATION SPEC		SIZE CASE CODE DRAWING NO	
MATERIAL		FINISH		A1 00779 C=1968514	
CUSTOMER DRAWING		SCALE 1:1		SHEET 1 OF 1 REV A1	

X-ON Electronics

Largest Supplier of Electrical and Electronic Components

Click to view similar products for [Toggle Switches](#) category:

Click to view products by [TE Connectivity](#) manufacturer:

Other Similar products are found below :

[8928K478](#) [8A1-C-222](#) [020017-13](#) [60012L](#) [6006L](#) [CS115W](#) [CS120W](#) [6663](#) [7101SPDV30BE](#) [7103SDV30BE](#) [7105D](#) [7108P3YAV2BE](#)
[71YY50282](#) [7300K36](#) [7301K38](#) [7306K36](#) [7310K36](#) [7506K4](#) [7592K6](#) [7660K12](#) [7691K14](#) [7700K1](#) [8391K108](#) [8396K108](#) [8811K17](#)
[8812K14](#) [8824K14](#) [8828K13](#) [8835K3](#) [8858K44](#) [PS83-121G](#) [1-1825192-0](#) [A201SCWZB04](#) [A207SYCB04](#) [A208J61ZQ0004](#) [A221T1TCQ](#)
[A323S1CWZQ](#) [A423S1CWZG-M8](#) [1201W](#) [12156AX408](#) [12147AGKX679](#) [12246X778](#) [12TW49-3D](#) [130312](#) [13037L](#) [13001X](#)
[AE101MD1W4B04](#) [AE208SD1W4B04](#) [MS24659-22D](#) [MS27407-5](#)