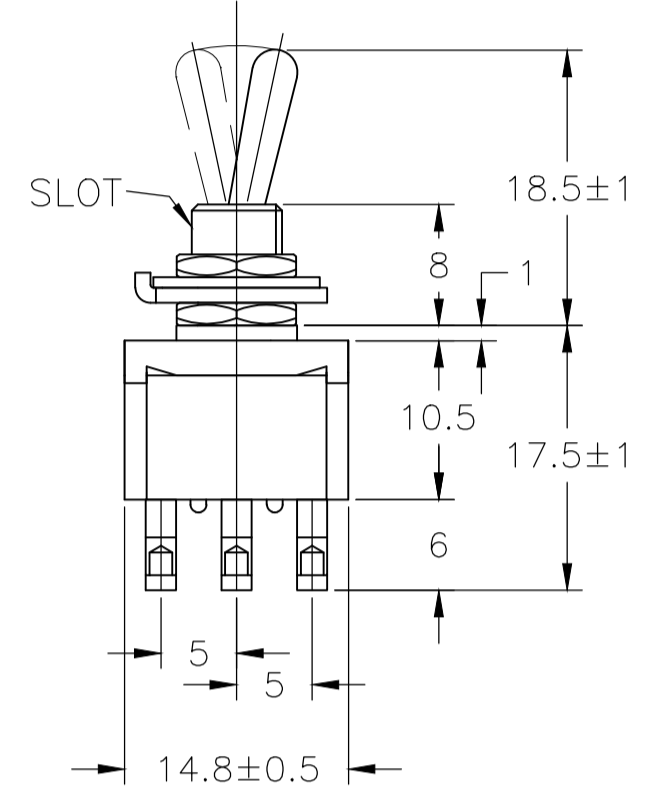
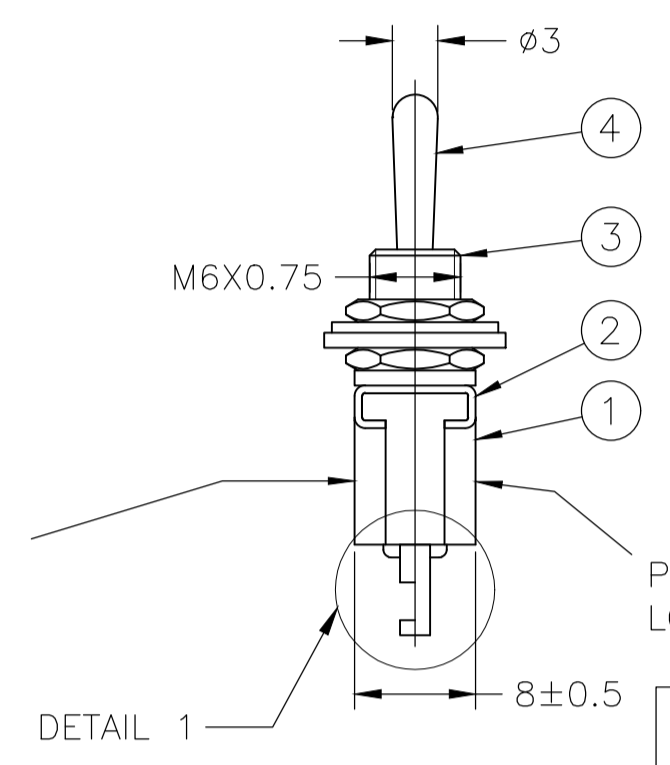
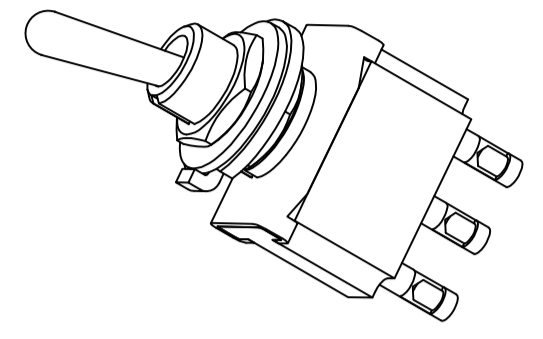
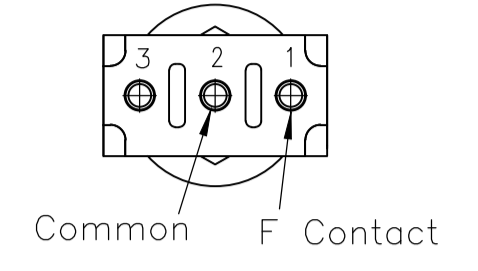
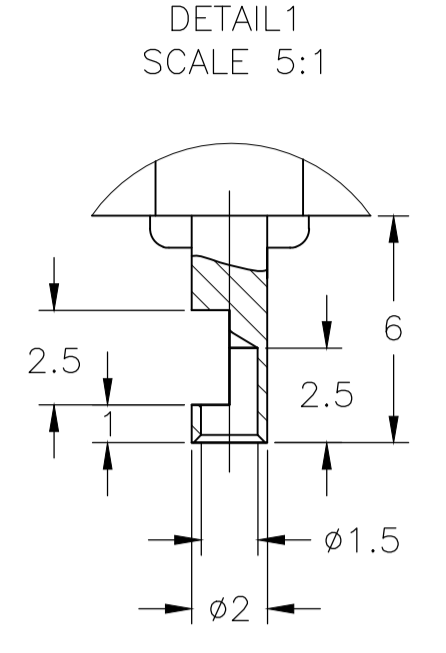


REVISIONS					
P	LTR	DESCRIPTION	DATE	DMN	APVD
A2	ECR-16-017266		01JUN2018	SR	PO

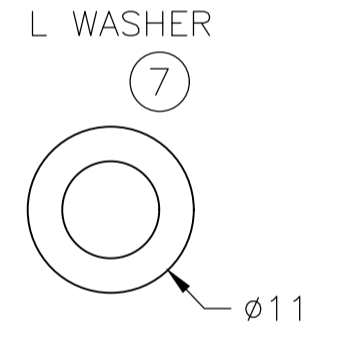
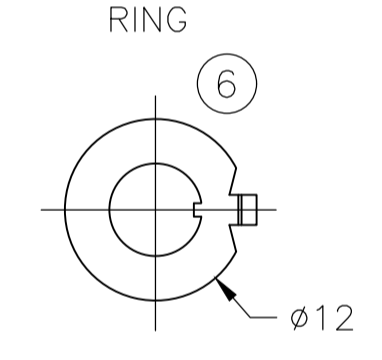
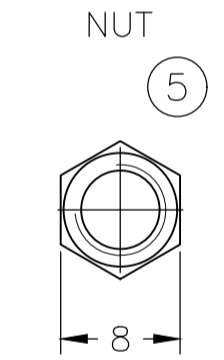
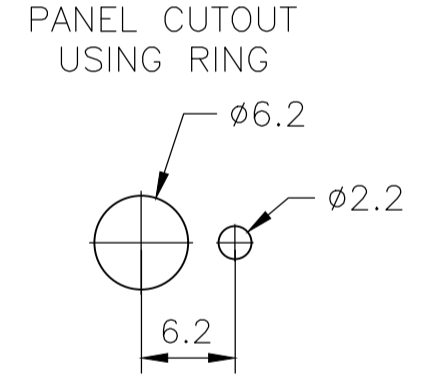
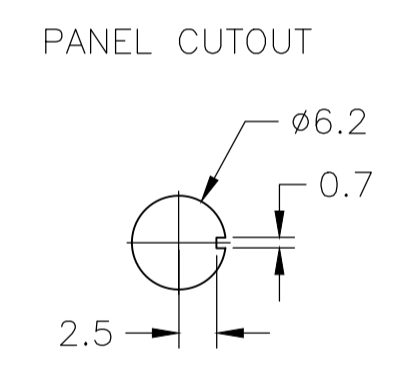


DATE CODE PRINTING LAST DIGIT OF YEAR  
 A-L = JANUARY TO DECEMBER DAY

PRINTING OF LOGO AND RATING  
 MODEL NO.  
 RATING  
 SW. FUNCT.  $\Delta$

FUNCTION CHART				
TE PN	PART	TERMINALS 1 AND 2	TERMINALS 2 AND 3	TERMINALS 1 AND 3
2-6437630-0	FTD0904	ON	NONE	ON
5-6437630-7	FTF0904	(ON)	NONE	ON
6-6437630-2	FTE0904	ON	OFF	ON
4-6437630-8	FTH0904	(ON)	OFF	ON
5-6437630-5	FTG0904	(ON)	OFF	(ON)
3-6437630-4	FTD09G04	ON	NONE	ON
6-6437630-3	FTF09G04	(ON)	NONE	ON
5-6437630-1	FTE09G04	ON	OFF	ON
6-6437630-4	FTH09G04	(ON)	OFF	ON
3-6437630-8	FTG09G04	(ON)	OFF	(ON)

(ON): MOMENTARY ACTION  
 OFF: MECHANICAL POSITION WITHOUT ELECTRICAL CONNECTION  
 NONE: NO MECHANICAL POSITION



1.5 THICK      1 THICK      0.63 THICK

- $\Delta$  0.5VA NO SWITCH FUNCTION WILL BE MARKED BUT WILL BE MARKED GOLD CON.
- 2 OPERATING TEMPERATURE -20°C TO +70°C
- 3 ALL MATERIALS AND FINISHES COMPLY WITH RoHS DIRECTIVE

CONTACT MATERIAL	TE PN	PART	RATING	INITIAL CONTACT RESISTANCE	INSULATION RESISTANCE	DIELECTRIC STRENGTH	ENDURANCE
C3602BD Ep-Cu/Ni3,Au1b	3-6437630-4 6-6437630-3 5-6437630-1 3-6437630-8	FTD09G04 FTF09G04 FTE09G04 FTG09G04	20V AC/DC 0.4VA MAX	MAX 10 MILLIOHMS AT DC 2~4V 0.1A	MIN 1000 M Ohms AT DC 500V	AC 1KV/1MIN (AC 1.2KV/1SEC)	ELECTRICALLY 50,000 CYCLES AT 20 CYCLES/MIN (RATED LOAD RESISTIVE) MECHANICALLY 100,000 CYCLES AT 20 CYCLES/MIN
99.8% Silver + C3602BD Ep-Cu/Ni3,AuFb	5-6437630-7	FTF0904	AC 125V 6A AC 250V 6A	MAX 10 MILLIOHMS AT DC 2~4V 1A	MIN 1000 M Ohms AT DC 500V	AC 1KV/1MIN (AC 1.2KV/1SEC)	ELECTRICALLY 25,000 CYCLES AT 20 CYCLES/MIN (RATED LOAD RESISTIVE) MECHANICALLY 50,000 CYCLES AT 20 CYCLES/MIN
	2-6437630-0 6-6437630-2 4-6437630-8 5-6437630-5	FTD0904 FTE0904 FTH0904 FTG0904					ELECTRICALLY 50,000 CYCLES AT 20 CYCLES/MIN (RATED LOAD RESISTIVE) MECHANICALLY 100,000 CYCLES AT 20CYCLES/MIN

MATERIALS CHART			
Ep-Fe/Cu2,Ni4b	SK-5	L WASHER	7
Ep-Fe/Cu2,Ni3b	SPCC	RING	6
Ep-Cu/Ni3b	C3602BD	NUT	5
Ep-Cu/Ni3,Cr1b	C3602BD	ACTUATOR	4
Ep-Cu/Ni3b	C3602BD	BUSHING	3
	SUS	FRAME	2
	POLYESTER RESIN	CASE	1
OPTIONAL DESCRIPTION	MATERIAL/SURFACE	PART NAME	PART NO

DIMENSIONS:		TOLERANCES UNLESS OTHERWISE SPECIFIED:		APPROVALS:		DRAWING NO.	
mm		0. PLC	± -	DIN	RAGHAVENDRA	02AUG10	1968510
		1. PLC	± -	CHK	MICHAEL WILBOURN	02AUG10	
		2. PLC	± -	APVD	MICHAEL WILBOURN	02AUG10	
		3. PLC	± -	PRODUCT SPEC			
		4. PLC	± -	APPLICATION SPEC			
		ANGLES	± -	WEIGHT			
MATERIAL	FINISH			CUSTOMER DRAWING	SCALE	SHEET	REV
					1:1	1 of 1	A2

## X-ON Electronics

Largest Supplier of Electrical and Electronic Components

*Click to view similar products for [Toggle Switches](#) category:*

*Click to view products by [TE Connectivity](#) manufacturer:*

Other Similar products are found below :

[8928K478](#) [020017-13](#) [60012L](#) [6006L](#) [CS115W](#) [CS120W](#) [6663](#) [7101SPDV30BE](#) [7103SDV30BE](#) [7105D](#) [7108P3YAV2BE](#) [71YY50282](#)  
[7300K36](#) [7301K38](#) [7306K36](#) [7310K36](#) [7506K4](#) [7592K6](#) [7660K12](#) [7691K14](#) [7700K1](#) [8391K108](#) [8396K108](#) [8811K17](#) [8824K14](#) [8828K13](#)  
[8835K3](#) [8858K44](#) [PS83-121G](#) [1-1825192-0](#) [A201SCWZB04](#) [A207SYCB04](#) [A208J61ZQ0004](#) [A221T1TCQ](#) [A323S1CWZQ](#)  
[A423S1CWZG-M8](#) [1201W](#) [12156AX408](#) [12147AGKX679](#) [12246X778](#) [12TW49-3D](#) [130312](#) [13037L](#) [13001X](#) [AE101MD1W4B04](#)  
[AE208SD1W4B04](#) [MS24659-22D](#) [MS27407-5](#) [1520230-9](#) [1520231-1](#)