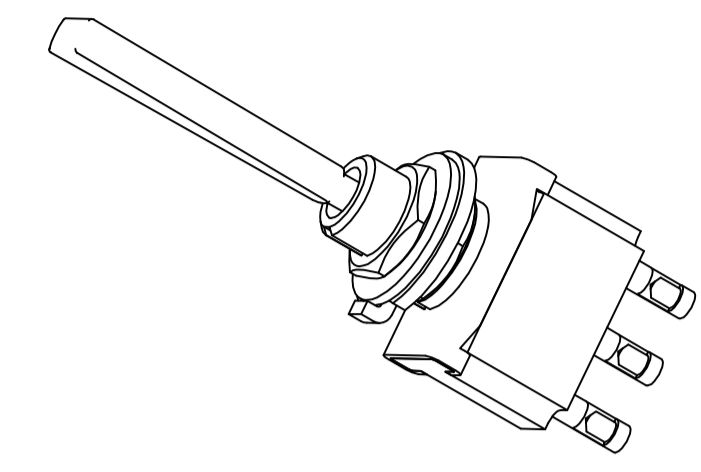
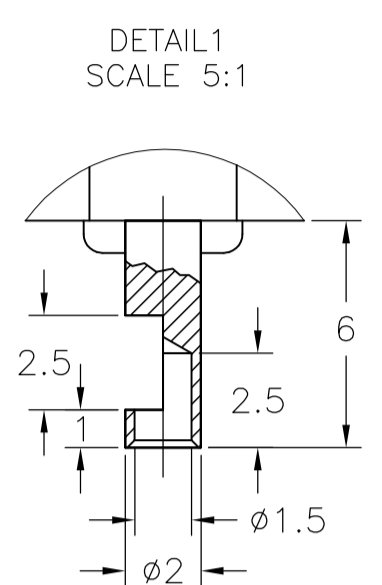
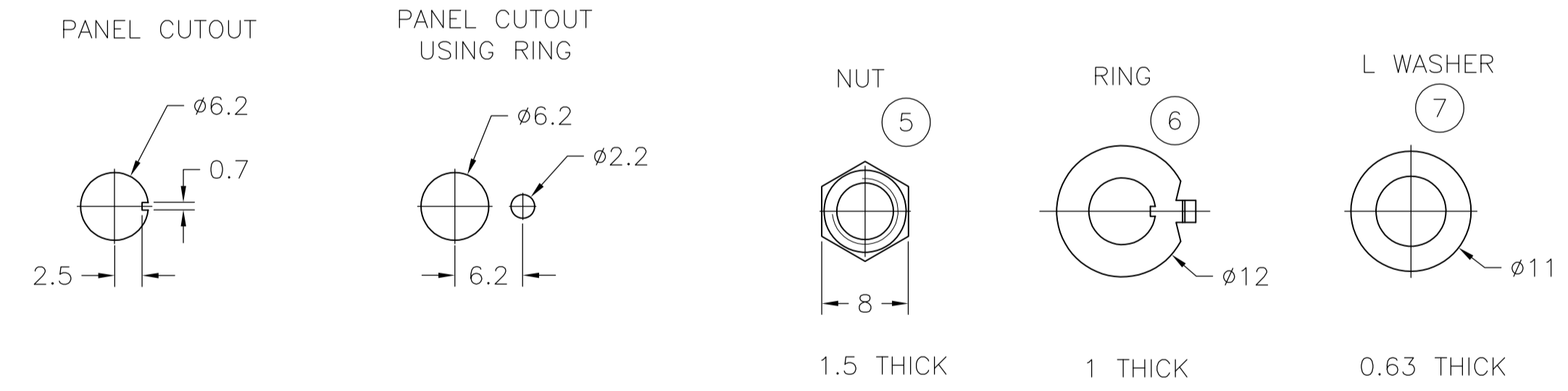
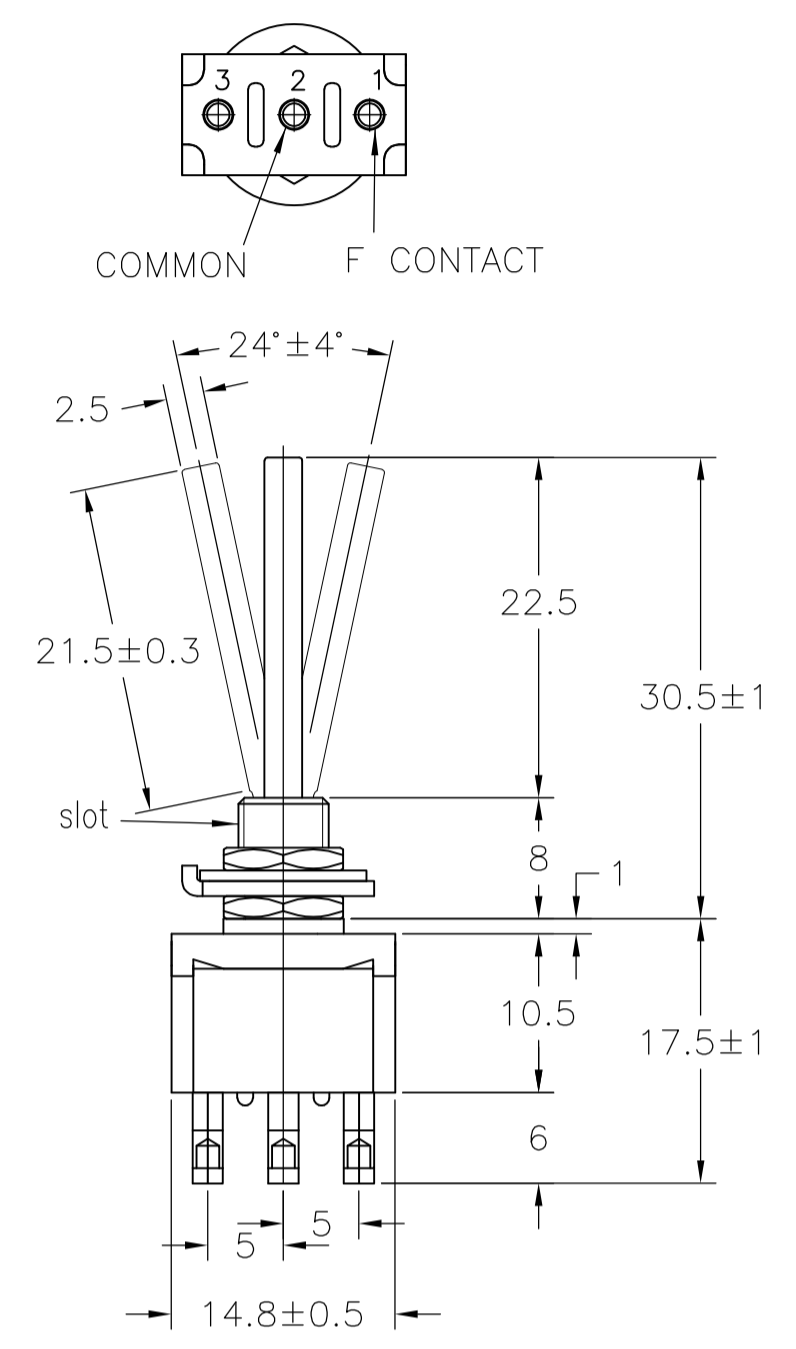
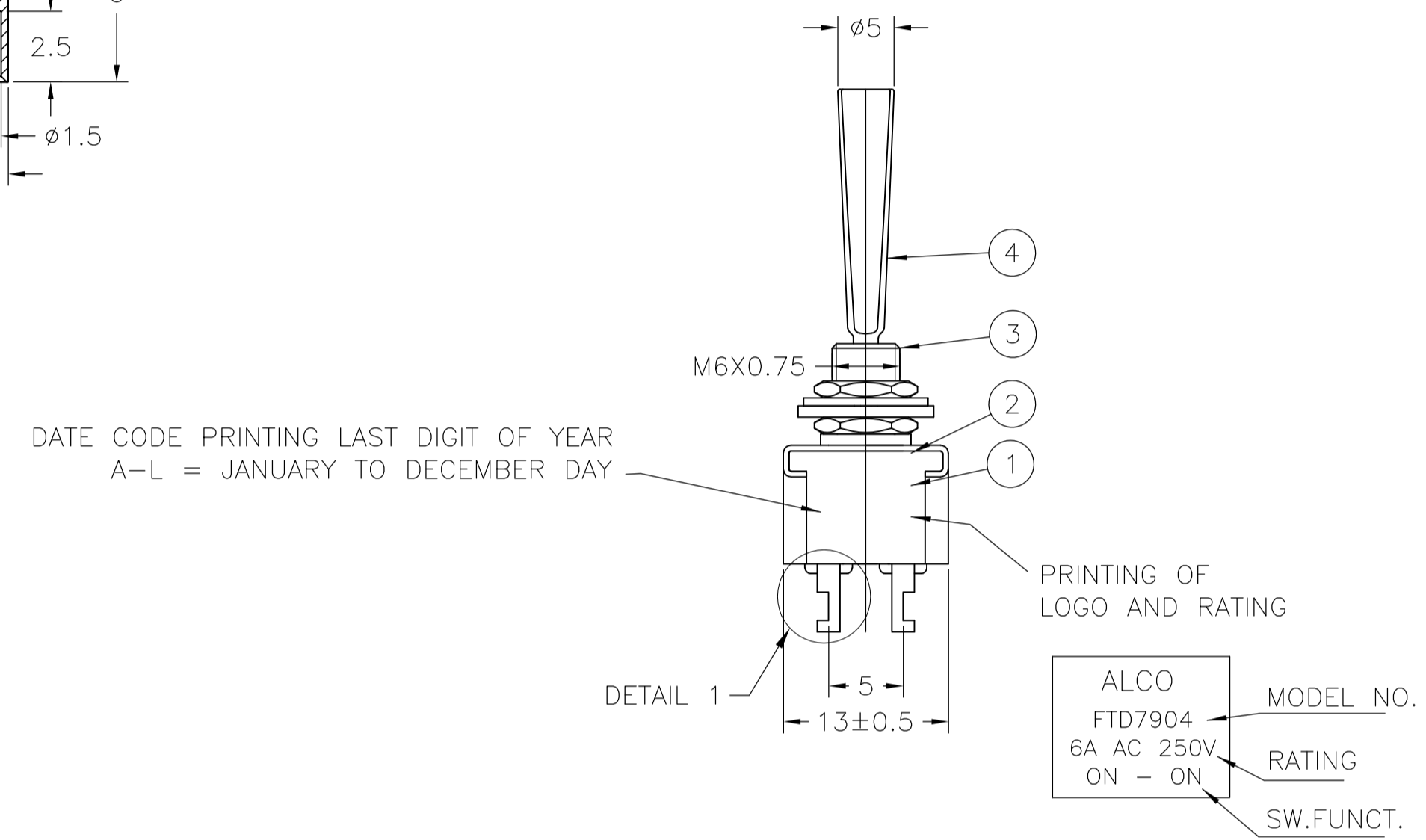


LOC		DIST		REVISIONS			
F	LTR	DESCRIPTION		DATE	DN	APVD	
A1		REVISED PER ECO-10-014168		02AUG10	HMR	MW	



FUNCTION CHART				
TE PN	PART	TERMINALS 2 AND 3 5 AND 6		TERMINALS 1 AND 2 4 AND 5
5-6437630-2	FTN7904	ON	NONE	ON
5-6437630-9	FTN79G04	ON	NONE	ON
7-6437592-5	FTP7904	ON	OFF	ON

(ON): MOMENTARY ACTION
 (OFF): MECHANICAL POSITION WITHOUT ELECTRICAL CONNECTION
 (NONE): NO MECHANICAL POSITION



- 1 0.5VA NO SWITCH FUNCTION WILL BE MARKED BUT WILL BE MARKED GOLD CON.
- 2 OPERATING TEMPERATURE -20°C TO +70°C
- 3 ALL MATERIALS AND FINISHES COMPLY WITH RoHS DIRECTIVE

TE PN	PART	F CONTACT	COMMON	RATING	INITIAL CONTACT RESISTANCE	INSULATION RESISTANCE	DIELECTRIC STRENGTH	ENDURANCE
5-6437630-9	FTN79G04	C3602BD Ep-Cu/Ni3,Au1b	C3602BD Ep-Cu/Ni3,Au1b	20V AC/DC 0.4VA	MAX 10 MILLIOHMS AT DC 2 ~ 4V 0,1A	MIN 1000 M Ohms AT DC 500V	AC 1KV/1min (AC 1.2KV/1sec)	ELECTRICALLY 50,000 CYCLES AT 20 CYCLES/MIN (RATED LOAD RESISTIVE) MECHANICALLY 100,000 CYCLES AT 20 CYCLES/MIN
5-6437630-2	FTN7904	99,8% Silver + C3602BD Ep-Cu/Ni3,AuFb	C3602BD Ep-Cu/Ni3,AuFb	AC 125V 6A AC 250V 6A	MAX 10 MILLIOHMS AT DC 2 ~ 4V 1A			ELECTRICALLY 25,000 CYCLES AT 20 CYCLES/MIN (RATED LOAD RESISTIVE) MECHANICALLY 50,000 CYCLES AT 20 CYCLES/MIN
7-6437592-5	FTP7904							
		CONTACT MATERIAL		SPECIFICATIONS				

MATERIALS CHART			
OPTIONAL DESCRIPTION	MATERIAL/SURFACE	PART NAME	PART NO
	Ep-Fe/Cu2,Ni4b	SK-5	L WASHER
	Ep-Fe/Cu2,Ni3b	SPCC	RING
	Ep-Cu/Ni3b	C3602BD	NUT
	Ep-Cu/Ni3,Cr1b	C3602BD	ACTUATOR
	Ep-Cu/Ni3b	C3602BD	BUSHING
	SUS	FRAME	2
	POLYESTER RESIN	CASE	1

DIMENSIONS:		TOLERANCES UNLESS OTHERWISE SPECIFIED:		APPROVALS:		DRAWING NO.		RESTRICTED TO	
mm		0 PLC	± -	DATE	SIGNATURE	SIZE	CAGE CODE	DRAWING NO.	REV
		1 PLC	± -	02AUG10	RAGHAVENDRA	A1	00779	1968515	1
		2 PLC	± -	02AUG10	MICHAEL WILBOURN				
		3 PLC	± -	02AUG10	MICHAEL WILBOURN				
		4 PLC	± -						
		ANGLES	± -						
			± -						
MATERIAL		FINISH		WEIGHT		SCALE		SHEET	
						1:1		1 OF 1	

X-ON Electronics

Largest Supplier of Electrical and Electronic Components

Click to view similar products for [Toggle Switches](#) category:

Click to view products by [TE Connectivity](#) manufacturer:

Other Similar products are found below :

[8A1-C-222](#) [60012L](#) [6006L](#) [6663](#) [7101MD9V30GE](#) [7101SPDV30BE](#) [7103SDV30BE](#) [7105D](#) [7108P3YAV2BE](#) [71YY50282](#)
[7201MD9AVBE](#) [7301K38](#) [7306K36](#) [7310K36](#) [7314K36](#) [7506K4](#) [7660K12](#) [7691K14](#) [7700K1](#) [FA75A-CBL](#) [8396K108](#) [8824K14](#) [8828K13](#)
[G2VX](#) [G3VX](#) [PS83-121G](#) [A101MD9AB04](#) [A101SD9AB04](#) [A101SDCQ04](#) [A103SD9AQ04](#) [A107TZB04](#) [A123P32YZQ](#) [A123S1YZG](#)
[A127S1YCQ](#) [1-1825192-0](#) [A131S1YZQ](#) [A201SCWZB04](#) [A207SYCB04](#) [A208J61ZQ0004](#) [A221K12KAG](#) [A221S1YZQ](#) [A221T1TCQ](#)
[A232K12KZQ](#) [A232M1YCQ](#) [A323S1CWZQ](#) [A423S1CWZG-M8](#) [A423S1YZQ](#) [12149A-3V](#) [12156AX408](#) [12147AGKX679](#)