



1K2A1 SERIES V

Thermistor

SPECIFICATIONS

- **Thermally conductive epoxy coating**
- **Ø 2.4 mm Maximum Diameter**
- **32 AWG Alloy 180 Leads**
- **RoHS Compliant**

The BetaCURVE Chip is Soldered to 32 AWG Alloy 180 Leads and Encapsulated in Stycast Epoxy Resin

1K2A1 SERIES V

Thermistor

FEATURES

- Interchangeability
- Proven Stability and Reliability
- Rapid time response
- Alloy lead wires for reduced thermal conductivity ("stem effect")
- Thermally Conductive Epoxy Coating
- Temperature range -40 °C to +125°C

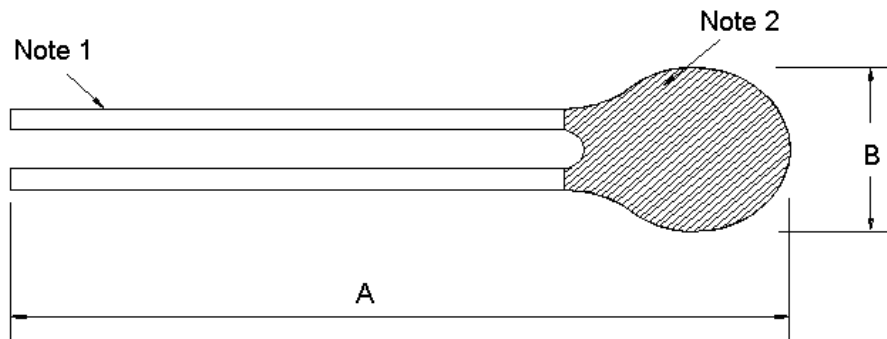
APPLICATIONS

- Temperature sensing, control and compensation
- Suitable for measurement applications at the lower temperature ranges
- Assembly into probes used in low temperature applications

PERFORMANCE SPECS

Parameters	Units	Value
Resistance @ +25°C	Ohms	1000
Resistance tolerance from 0°C to +25°C	°C	0.2
Alpha Value @ 25°C	%/°C	3.68
Beta Value 25/85	K	3348
Tolerance on Beta Value 25/85	%	0.5
Time response in Liquids	Seconds	<1
Dissipation Constant in still air	mW/°C	0.75

MECHANICAL DETAILS



	Dimensions	
	A	B
	76 ± 2mm	2.4mm Max
Note 1	32 AWG Solid Alloy 180 Leads	
Note 2	Black Stycast 2850ft Epoxy	

RESISTANCE V TEMPERATURE TABLE

Temp. °C	Ohms
----------	------

-40	18641.3
-39	17648.9
-38	16715.5
-37	15837.1
-36	15010.1
-35	14231.4
-34	13497.7
-33	12806.3
-32	12154.5
-31	11539.8
-30	10959.8
-29	10412.5
-28	9895.7
-27	9407.7
-26	8946.7
-25	8511.0
-24	8099.0
-23	7709.5
-22	7341.0
-21	6992.3
-20	6662.1
-19	6349.6
-18	6053.5
-17	5772.9
-16	5507.0
-15	5254.9
-14	5015.8
-13	4788.9
-12	4573.6
-11	4369.3
-10	4175.2
-9	3990.9
-8	3815.8
-7	3649.4
-6	3491.2
-5	3340.7
-4	3197.6
-3	3061.5
-2	2931.9
-1	2808.5
0	2691.0

Temp. °C	Ohms
----------	------

1	2579.1
2	2472.5
3	2370.9
4	2274.0
5	2181.6
6	2093.5
7	2009.5
8	1929.3
9	1852.7
10	1779.6
11	1709.8
12	1643.1
13	1579.4
14	1518.5
15	1460.3
16	1404.7
17	1351.4
18	1300.5
19	1251.8
20	1205.1
21	1160.5
22	1117.7
23	1076.8
24	1037.6
25	1000.0
26	964.0
27	929.5
28	896.4
29	864.6
30	834.2
31	804.9
32	776.9
33	750.0
34	724.1
35	699.3
36	675.5
37	652.6
38	630.6
39	609.5
40	589.2
41	569.6

Temp. °C	Ohms
----------	------

42	550.8
43	532.8
44	515.4
45	498.7
46	482.6
47	467.1
48	452.2
49	437.8
50	424.0
51	410.7
52	397.8
53	385.5
54	373.5
55	362.0
56	351.0
57	340.3
58	330.0
59	320.0
60	310.4
61	301.2
62	292.3
63	283.6
64	275.3
65	267.3
66	259.5
67	252.0
68	244.8
69	237.8
70	231.0
71	224.5
72	218.1
73	212.0
74	206.1
75	200.4
76	194.9
77	189.5
78	184.3
79	179.3
80	174.5
81	169.8
82	165.2
83	160.8

Temp. °C	Ohms
----------	------

84	156.6
85	152.4
86	148.4
87	144.6
88	140.8
89	137.2
90	133.6
91	130.2
92	126.9
93	123.7
94	120.5
95	117.5
96	114.6
97	111.7
98	109.0
99	106.3
100	103.7
101	101.2
102	98.7
103	96.3
104	94.0
105	91.7
106	89.6
107	87.4
108	85.4
109	83.4
110	81.4
111	79.5
112	77.7
113	75.9
114	74.2
115	72.5
116	70.8
117	69.2
118	67.7
119	66.1
120	64.7
121	63.2
122	61.8
123	60.5
124	59.2
125	57.9

1K2A1 SERIES V

Thermistor

ORDERING INFORMATION

Part Number	Description	Ω @25°C	MOQ
1K2A1	Series V Thermistor	1000	1,000*

* For quantities less than Minimum Order Quantity – Contact Distribution

NORTH AMERICA

Measurement Specialties, Inc.,
a TE Connectivity Company
910 Turnpike Road
Shrewsbury, MA 01545
Tel: 1-508-842-0516
Fax: 1-508-842-0342
Sales email:
temperature.sales.amer@meas-spec.com

EUROPE

Measurement Specialties (Europe), Ltd.,
a TE Connectivity Company
Ballybrit Business Park
Galway Ireland
Tel: +353-91-753238
Fax: +353-91-770789
Sales email:
temperature.sales.emea@meas-spec.com

ASIA

Measurement Specialties (China), Ltd.,
a TE Connectivity Company
No. 26 Langshan Road
Shenzhen High-Tech Park (North)
Nanshan District, Shenzhen 518057
China
Tel: +86 755 3330 5088
Fax: +86 755 3330 5099
Sales email:
temperature.sales.asia@meas-spec.com

TE.com/sensorsolutions

Measurement Specialties, Inc., a TE Connectivity company.

Measurement Specialties, TE Connectivity, TE Connectivity (logo) and EVERY CONNECTION COUNTS are trademarks. All other logos, products and/or company names referred to herein might be trademarks of their respective owners.

The information given herein, including drawings, illustrations and schematics which are intended for illustration purposes only, is believed to be reliable. However, TE Connectivity makes no warranties as to its accuracy or completeness and disclaims any liability in connection with its use. TE Connectivity's obligations shall only be as set forth in TE Connectivity's Standard Terms and Conditions of Sale for this product and in no case will TE Connectivity be liable for any incidental, indirect or consequential damages arising out of the sale, resale, use or misuse of the product. Users of TE Connectivity products should make their own evaluation to determine the suitability of each such product for the specific application.

© 2015 TE Connectivity Ltd. family of companies All Rights Reserved.

X-ON Electronics

Largest Supplier of Electrical and Electronic Components

Click to view similar products for [NTC \(Negative Temperature Coefficient\) Thermistors](#) *category:*

Click to view products by [TE Connectivity](#) *manufacturer:*

Other Similar products are found below :

[118-253FAJ-P01](#) [121-202EAC-P01](#) [123-802EAJ-P01](#) [128-105NDP-Q02](#) [129-202VME-S01](#) [135-503LAD-J01](#) [B57250V2473F560](#)
[B57620C472K962](#) [B57620C5103J062](#) [B57621C5102J062](#) [A1004SG22P0](#) [192-103LPR-A01](#) [199-303KAF-A02](#) [30054-4](#) [B57471V2474H062](#)
[B57620C5102J062](#) [B57620C5223J062](#) [500-52AA04-101](#) [526-31AA19-104](#) [526-31AN12-202](#) [103AT-5-1P-FT](#) [10K3A542I](#) [111-802EAJ-901](#)
[112-103FAG-H02](#) [112-104KAG-B01](#) [11028414-00](#) [111-182CAG-H01](#) [112-103FAF-H01](#) [112-104KBF-F01](#) [118-202CAJ-P01](#) [526-31AA79-](#)
[102](#) [B57442V5103J62](#) [517-59CL01-202](#) [B57401V2103H62](#) [B57621C5472J62](#) [11032565-00](#) [194303KEVA01](#) [NTCACAPE3C90193](#)
[B57359V2224J260](#) [B57343V5103J360](#) [NXRT15WB473FA1B040](#) [50070974-003-01](#) [189-602LDR-A01](#) [B57621C5472K062](#) [135-105QAF-](#)
[J02](#) [B57421V2153J062](#) [B57230V2103H260](#) [B57471V2684H062](#) [B57471V2333H062](#) [126-153YJC-B01](#)