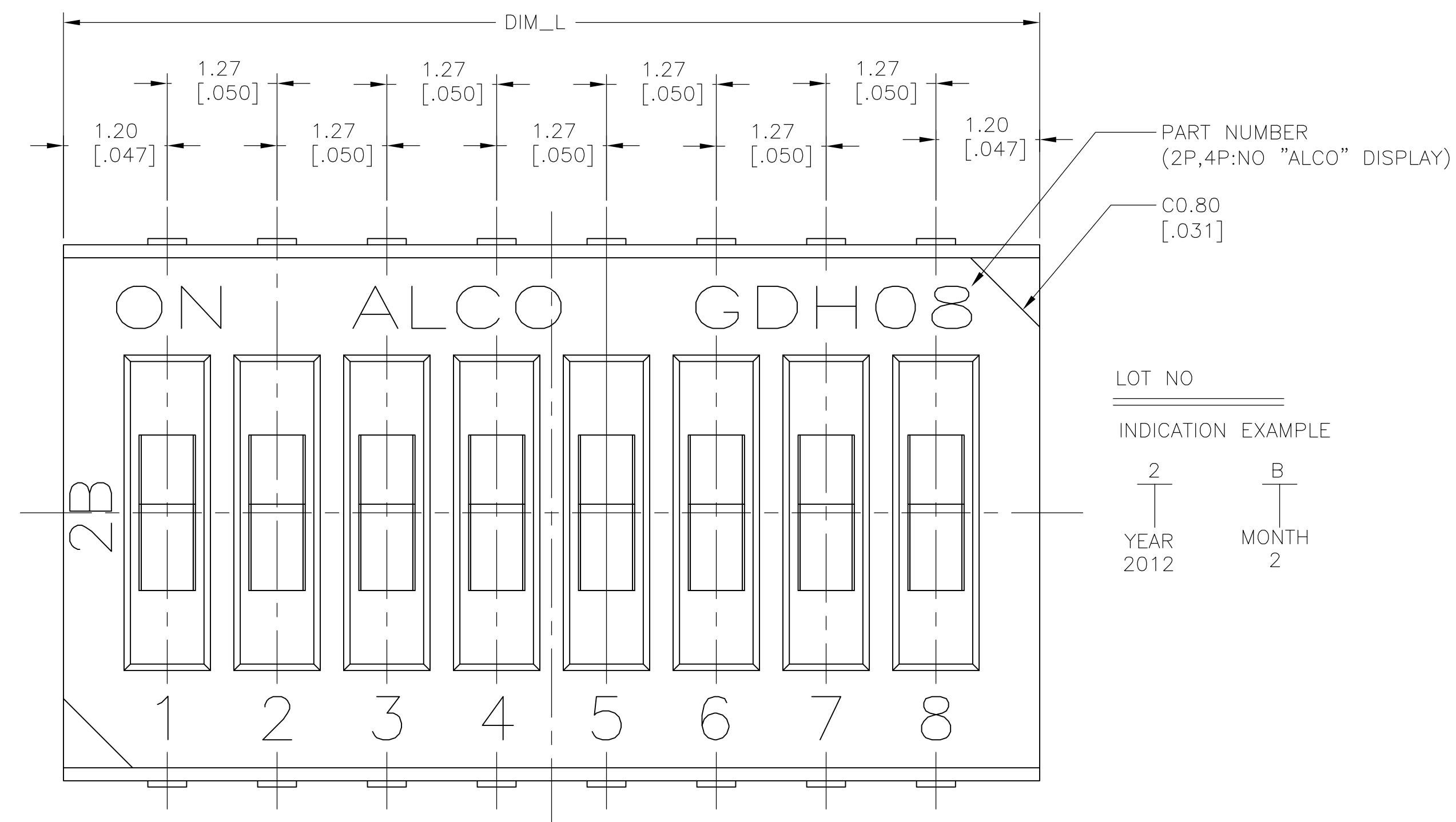


| REVISED |                           | REVISIONS   |         |    |       |
|---------|---------------------------|-------------|---------|----|-------|
| NO.     | DATE                      | DESCRIPTION | DATE    | BY | APP'D |
| B       | REVISED PER ECO-12-011893 |             | 27JUN12 | KH | PO    |

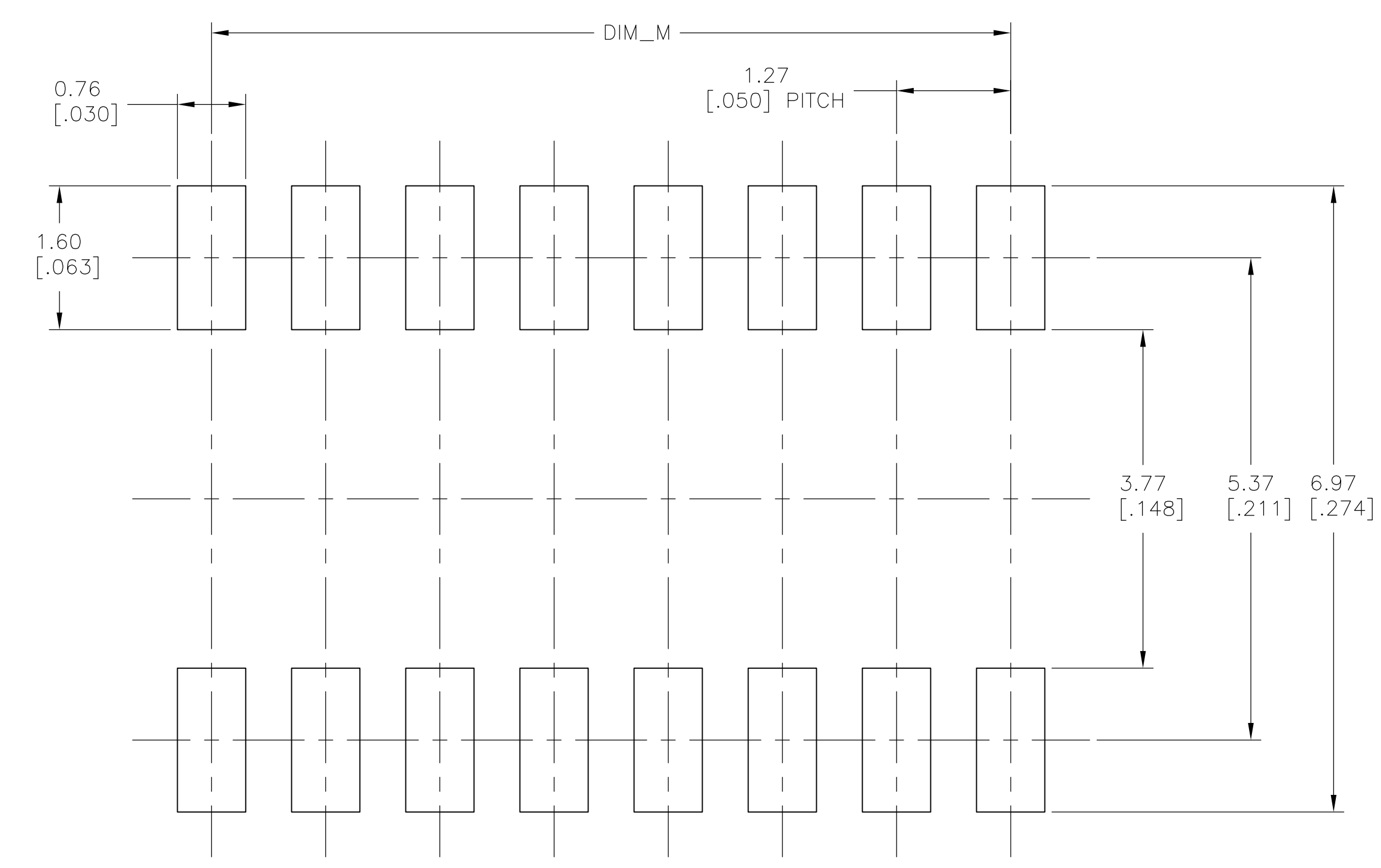
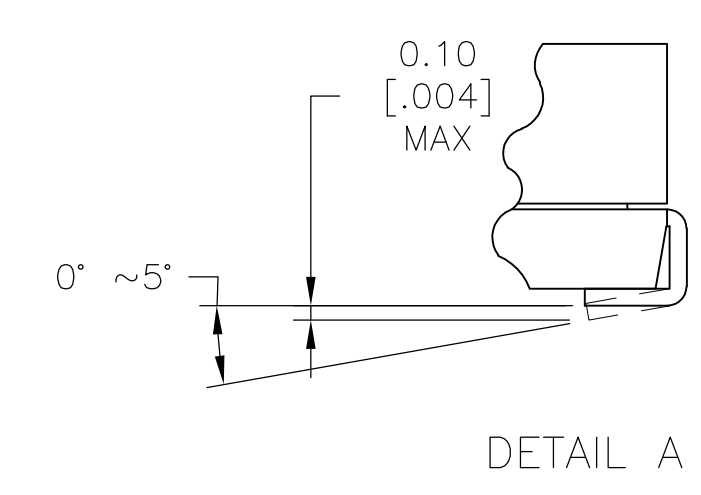
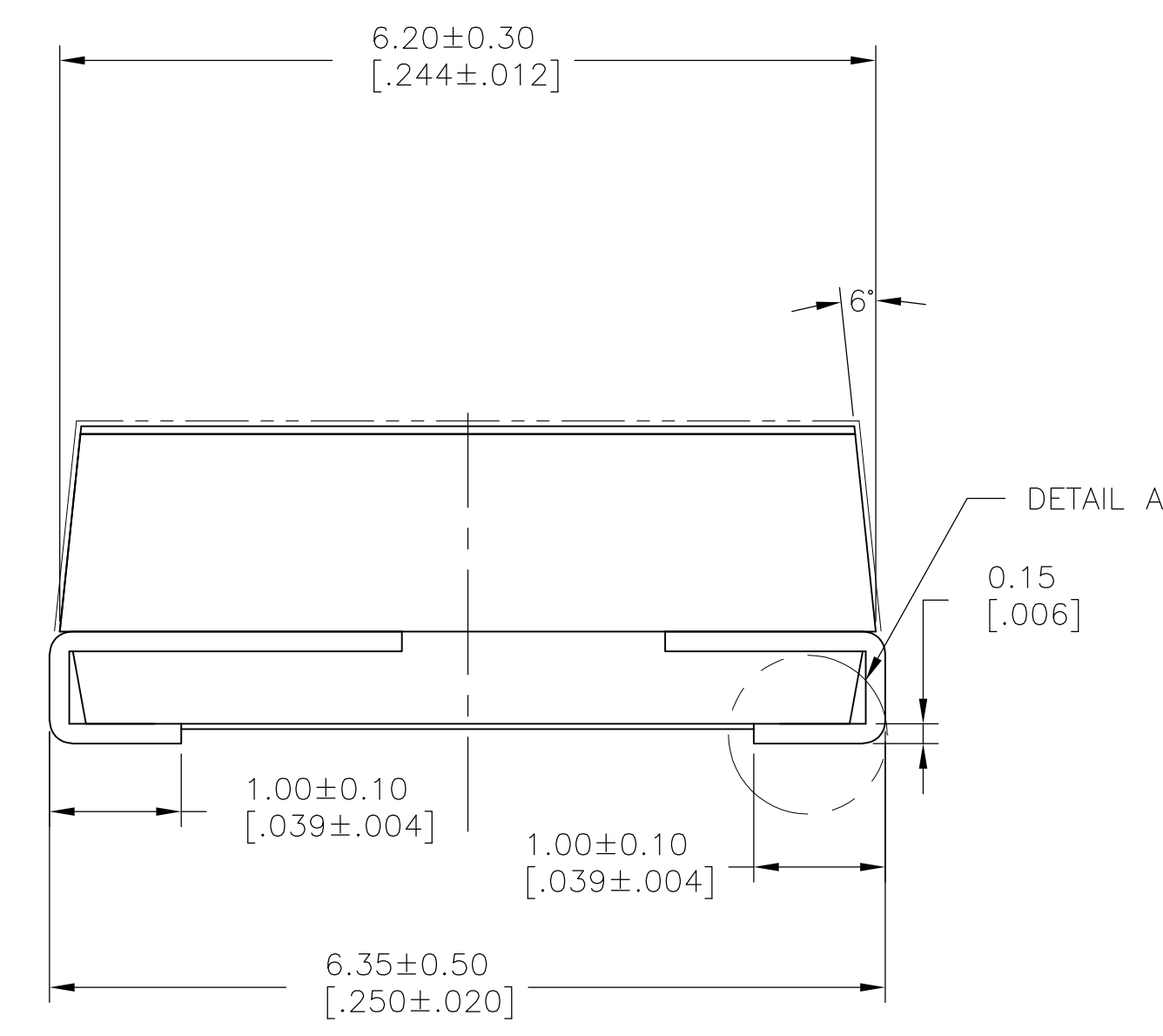
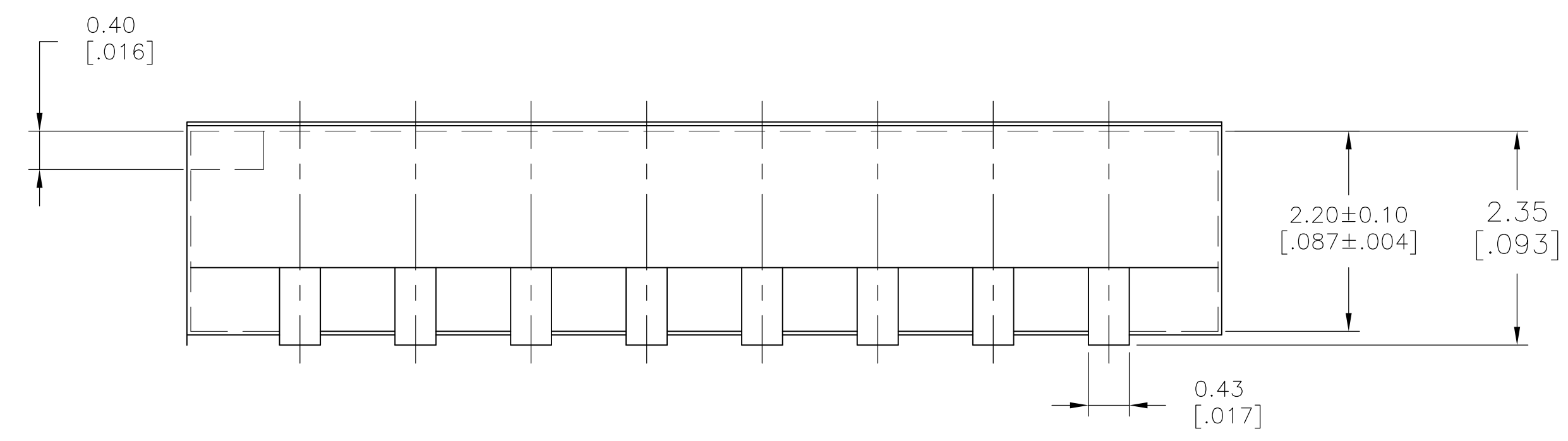


PART NUMBER  
(2P,4P:NO "ALCO" DISPLAY)  
0.80  
[.031]

LOT NO  
INDICATION EXAMPLE  
2 B  
YEAR MONTH  
2012 2

**SPECIFICATIONS:**  
**MATERIALS:**  
CASE-PPS UL94V-0, BLACK  
COVER-PPS UL94V-0, BLACK  
ACTUATOR-LCP UL94V-0, WHITE  
FIXED CONTACT-COPPER ALLOY, GOLD OVER NICKEL PLATE  
MOVING CONTACT-COPPER ALLOY, GOLD OVER NICKEL PLATE  
TERMINAL-COPPER ALLOY, GOLD OVER NICKEL PLATE  
TAPE SEAL-POLYIMIDE FILM  
**ELECTRICAL:**  
CONTACT RATING: NON-SWITCHING: 100 MILLIAMPS @50VDC  
SWITCHING: 25 MILLIAMPS @24 VDC  
INITIAL CONTACT RESISTANCE: 100 MILLIOHMS MAX. @2VDC, 10mA.  
CONTACT RESISTANCE(AFTER TESTS): 300MILLIOHMS MAX.@2VDC.10mA,  
INSULATION RESISTANCE: 100 MEGOHMS MIN @100VDC  
DIELECTRIC STRENGTH: 300 VAC, 1MINUTE.  
LIFE EXPECTANCY: 1000 CYCLES MIN.  
**MECHANICAL:**  
ACTUATION FORCE: 4.94(490gf) MAX.  
**ENVIRONMENTAL:**  
OPERATING TEMPERATURE: -30°C TO +85°  
STORAGE TEMPERATURE: -45°C TO +100°C  
SOLDER HEAT RESISTANCE PER 109-201, CONDITION B SWITCH IN OFF POSITION  
SOLDER ABILITY PER JIS C 0050 & JIS C 0053.

- NOTES:**
- SUPPLIED WITH TAPE SEAL STANDARD
  - SWITCH IS TO HAVE OVERALL HEIGHT AS SHOWN
  - ALL MATERIALS AND FINISHES SHALL COMPLY WITH EU DIRECTIVE 2002/95/EC OF 27JAN2003 (ROHS)
  - SUPPLIED PACKAGED IN A TUBE.



MOUNTING PAD DIMENSIONS(5/1)

|     |             |                      |                 |           |
|-----|-------------|----------------------|-----------------|-----------|
| 10  | 11.43[.450] | 13.83[.544]          | GDH10SA04       | 1977830-5 |
| 8   | 8.89[.350]  | 11.29[.444]          | GDH08SA04       | 1977830-4 |
| 6   | 6.35[.250]  | 8.75[.344]           | GDH06SA04       | 1977830-3 |
| 4   | 3.81[.150]  | 6.21[.244]           | GDH04SA04       | 1977830-2 |
| 2   | 1.27[.05]   | 3.67[.144]           | GDH02SA04       | 1977830-1 |
| POS | DIM M       | DIM L<br>±0.50[.020] | ALCO DISCRPTION | TE P/N    |

THIS DRAWING IS A CONTROLLED DOCUMENT.

|                            |  |                        |               |                 |          |
|----------------------------|--|------------------------|---------------|-----------------|----------|
| DIMENSIONS:<br>mm [INCHES] | TOLERANCES UNLESS OTHERWISE SPECIFIED:<br>0 PLC ± -<br>1 PLC ± -<br>2 PLC ± -<br>3 PLC ± 0.40[.016]<br>4 PLC ± -<br>ANGLES ± - | DRAWING NO<br>A1 00779 | SCALE<br>20:1 | SHEET<br>1 of 1 | REV<br>B |
|----------------------------|--|------------------------|---------------|-----------------|----------|

**STE** TE Connectivity

SERIES GDH  
GDH02SA04~GDH10SA04

CUSTOMER DRAWING

## X-ON Electronics

Largest Supplier of Electrical and Electronic Components

*Click to view similar products for [DIP Switches/SIP Switches](#) category:*

*Click to view products by [TE Connectivity](#) manufacturer:*

Other Similar products are found below :

[78M03S](#) [79B10T](#) [8136-475G4T](#) [G7G-1A2-CB-DC12](#) [H7CZL8AC100240](#) [A7SS-M](#) [A8CA-201](#) [DRR60016](#) [DRS4016](#) [1825008-1](#) [1825444-1](#) [25.350.0653.0](#) [SBS 5004 TG](#) [SDA10H1BDA](#) [97R06ST](#) [A2C-2A5](#) [1825444-7](#) [ADE08SA04](#) [ADE12S04](#) [192960010](#) [2-1825058-8](#) [25.330.0653.1](#) [25.352.0353.0](#) [CXDRIVEV2X](#) [IKN0600000](#) [IKN0800000](#) [LA2-002-DC24](#) [DBS1003](#) [438872000](#) [DRD10CRAE04](#) [DSR02T](#) [DSS 208 N](#) [E2FMX2D1M1TGJ03M](#) [NDI10H](#) [219-9MSTP](#) [204-6ES](#) [EPM02FV](#) [701521596](#) [NDS08V](#) [76SB05](#) [79A10](#) [TD06H0SK1](#) [Z7.255.9027.0](#) [1-1825058-3](#) [1825428-4](#) [219-10LPSTF](#) [E3ZG6111D03M](#) [G4D212PUSTV2DC5](#) [NDI05H](#) [EPG301BT06](#)