

REVISIONS					
P	LTR	DESCRIPTION	DATE	DWN	APVD
R		REVISED PER ECO-16-018654	15MAY2017	RK	PO

SPECIFICATIONS:

MATERIALS:

CASE-PPS, UL94V0-BLACK
 COVER-PPS, UL94V0-BLACK
 ACTUATOR-LCP, UL94V0-WHITE
 CONTACTS AND TERMINALS-COPPER ALLOY, GOLD OVER NICKEL
 TAPE SEAL-POLYIMIDE FILM

ELECTRICAL:

CONTACT RATING: NON-SWITCHING: 100mA @ 50VDC
 SWITCHING: 25mA 24VDC
 INITIAL CONTACT RESISTANCE: 100 MILLIOHMS MAX. @ 2VDC, 10mA
 INSULATION RESISTANCE: 100 MEGOHMS MIN. @ 100VDC
 DIELECTRIC STRENGTH: 300VAC FOR 1 MINUTE
 LIFE EXPECTANCY: 1000 CYCLES

MECHANICAL:

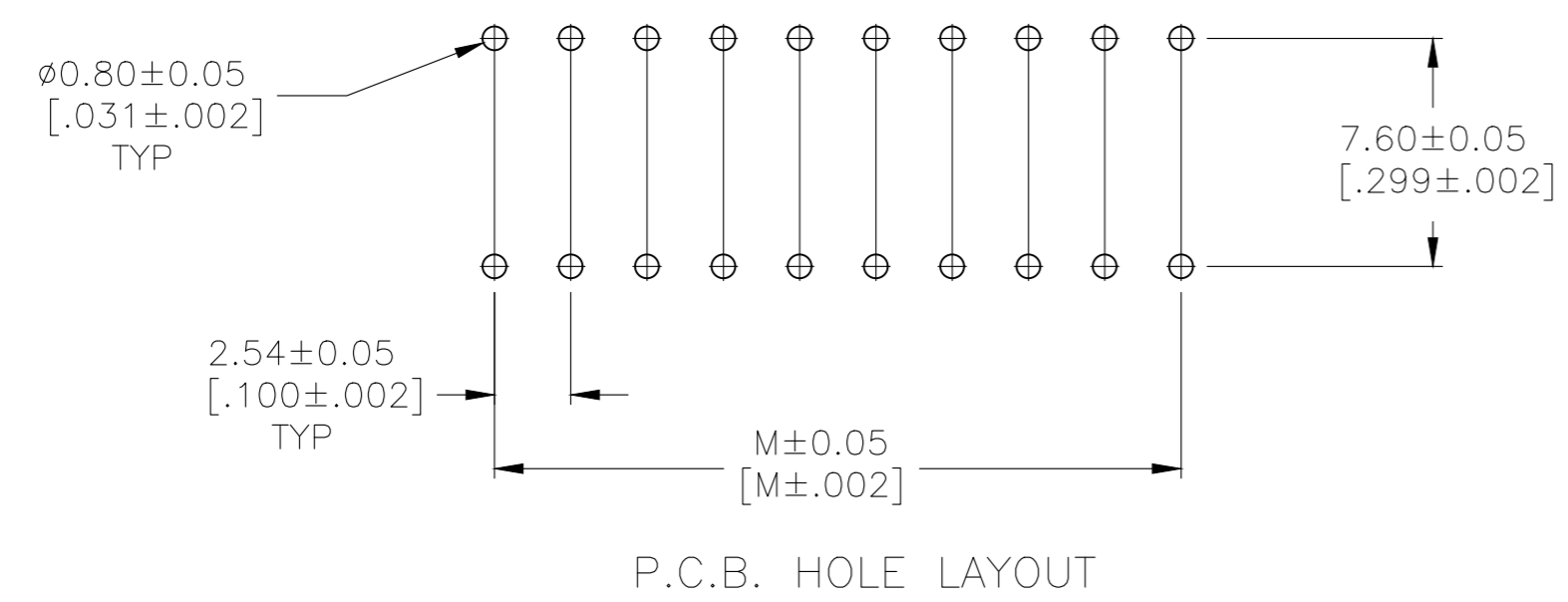
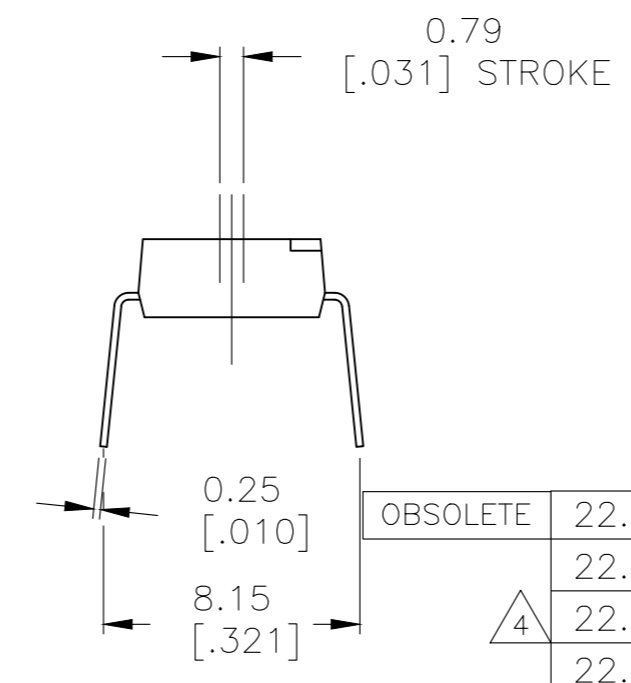
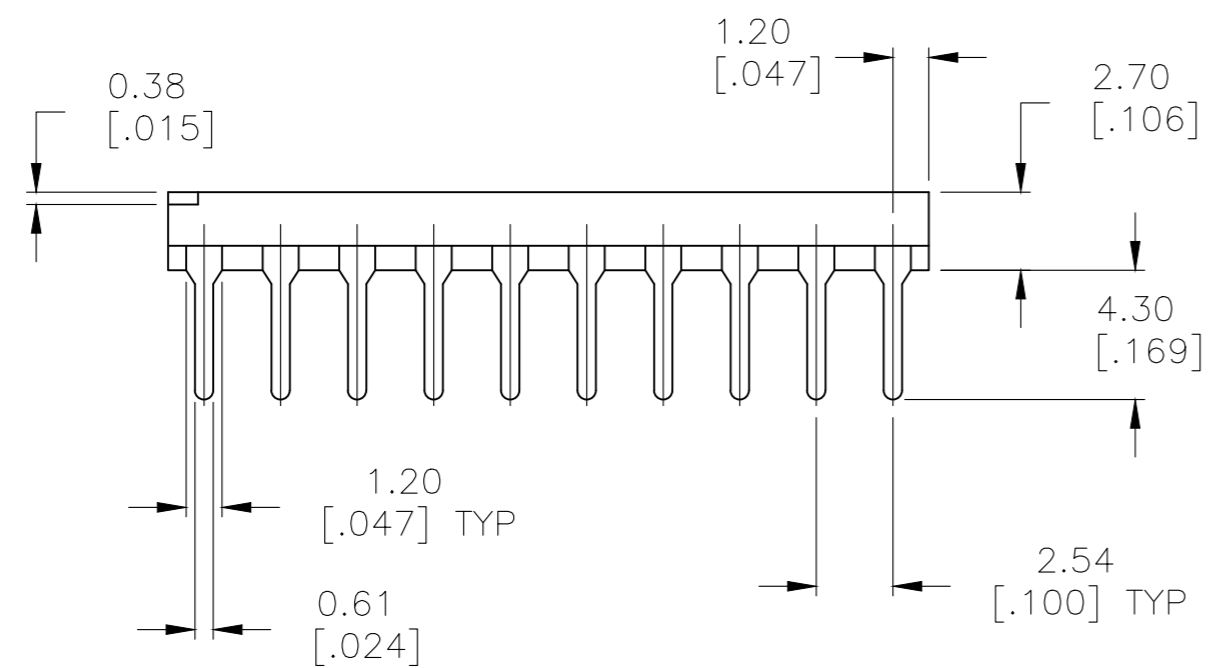
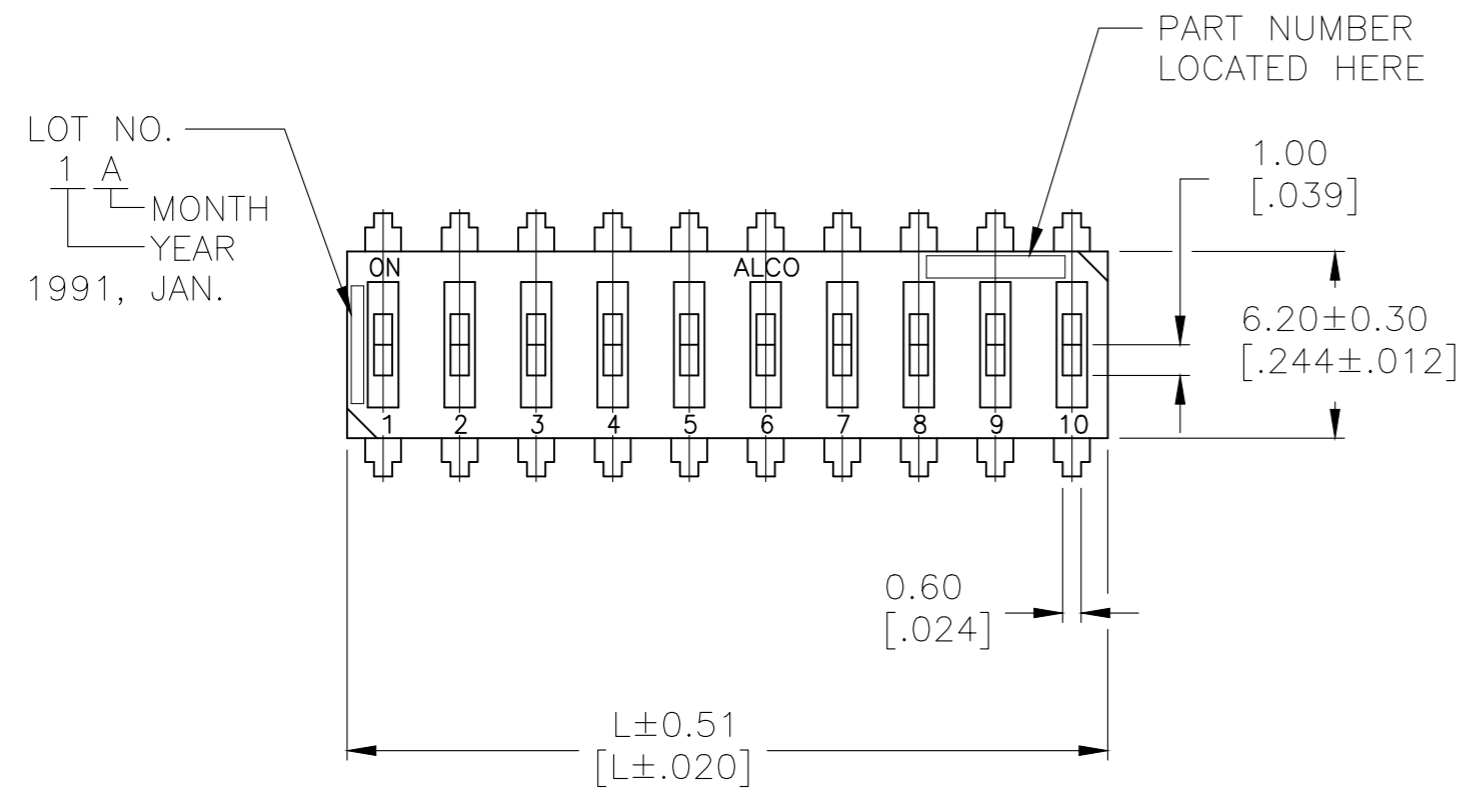
ACTUATION FORCE: 60-600 GRAMS

ENVIRONMENTAL:

OPERATING TEMPERATURE: -45°C TO +100°C
 STORAGE TEMPERATURE: -45°C TO +100 °C
 SOLDER HEAT RESISTANCE PER 109-202, CONDITION B (THRU-HOLE) OR 109-201, CONDITION B (SMT)
 SOLDERABILITY PER JIS C 0500 & JIS C 0053

NOTES:

- TAPE AND REEL PACKAGING PER EIA 481 - PART NO.S GDSXXSTR.
- ALL MATERIALS AND FINISHES SHALL COMPLY WITH EU DIRECTIVE 2002/95/EC OF 27JAN2003 (ROHS)
- SEE SHEET 2 FOR SURFACE MOUNTING DETAILS.
- OBsolete PARTS: OBsolete CIS STREAMLINING PER D.RENAUD/D.SINISI



OBsolete	DIM M	DIM L	SEAL	MTG	POLE	OLD T&B P/N	PART NO
	22.86[.900]	25.25[.994]	TAPE	SMT	10	GDS10STR04	2-1825006-0
	22.86[.900]	25.25[.994]	TAPE	SMT	10	GDS10S04	1-1825006-9
4	22.86[.900]	25.25[.994]	NONE	T/H	10	GDS10NTS04	1-1825006-8
	22.86[.900]	25.25[.994]	TAPE	T/H	10	GDS1004	1-1825006-7
	17.78[.700]	20.17[.794]	TAPE	SMT	8	GDS08STR04	1-1825006-6
	17.78[.700]	20.17[.794]	TAPE	SMT	8	GDS08S04	1-1825006-5
4	17.78[.700]	20.17[.794]	NONE	T/H	8	GDS08NTS04	1-1825006-4
	17.78[.700]	20.17[.794]	TAPE	T/H	8	GDS0804	1-1825006-3
	12.7[.500]	15.09[.594]	TAPE	SMT	6	GDS06STR04	1-1825006-2
	12.7[.500]	15.09[.594]	TAPE	SMT	6	GDS06S04	1-1825006-1
4	12.7[.500]	15.09[.594]	NONE	T/H	6	GDS06NTS04	1-1825006-0
	12.7[.500]	15.09[.594]	TAPE	T/H	6	GDS0604	1825006-9
	7.62[.300]	10.01[.394]	TAPE	SMT	4	GDS04STR04	1825006-8
	7.62[.300]	10.01[.394]	TAPE	SMT	4	GDS04S04	1825006-7
4	7.62[.300]	10.01[.394]	NONE	T/H	4	GDS04NTS04	1825006-6
	7.62[.300]	10.01[.394]	TAPE	T/H	4	GDS0404	1825006-5
	2.54[.100]	4.93[.194]	TAPE	SMT	2	GDS02STR04	1825006-4
	2.54[.100]	4.93[.194]	TAPE	SMT	2	GDS02S04	1825006-3
4	2.54[.100]	4.93[.194]	NONE	T/H	2	GDS02NTS04	1825006-2
	2.54[.100]	4.93[.194]	TAPE	T/H	2	GDS0204	1825006-1

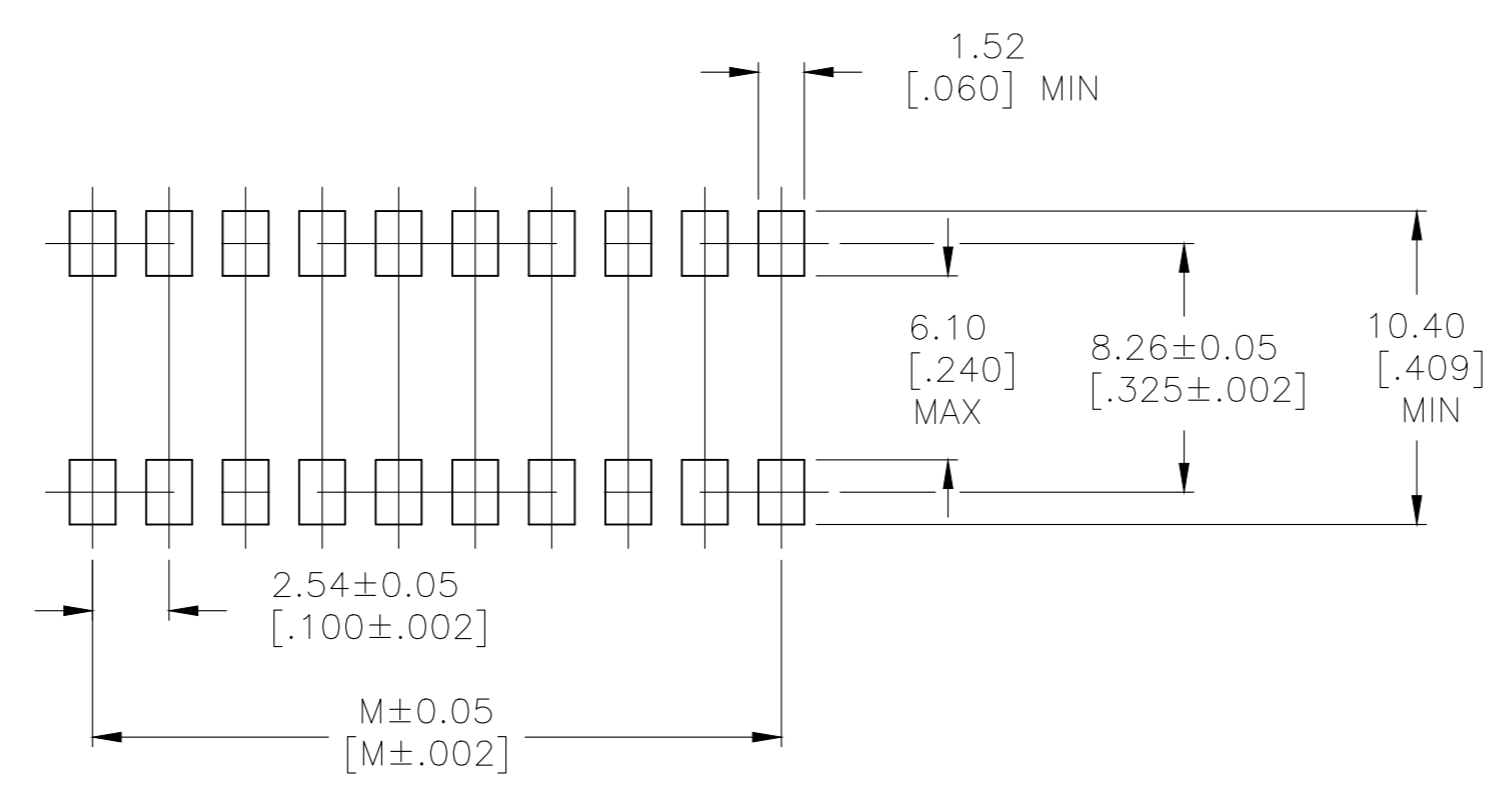
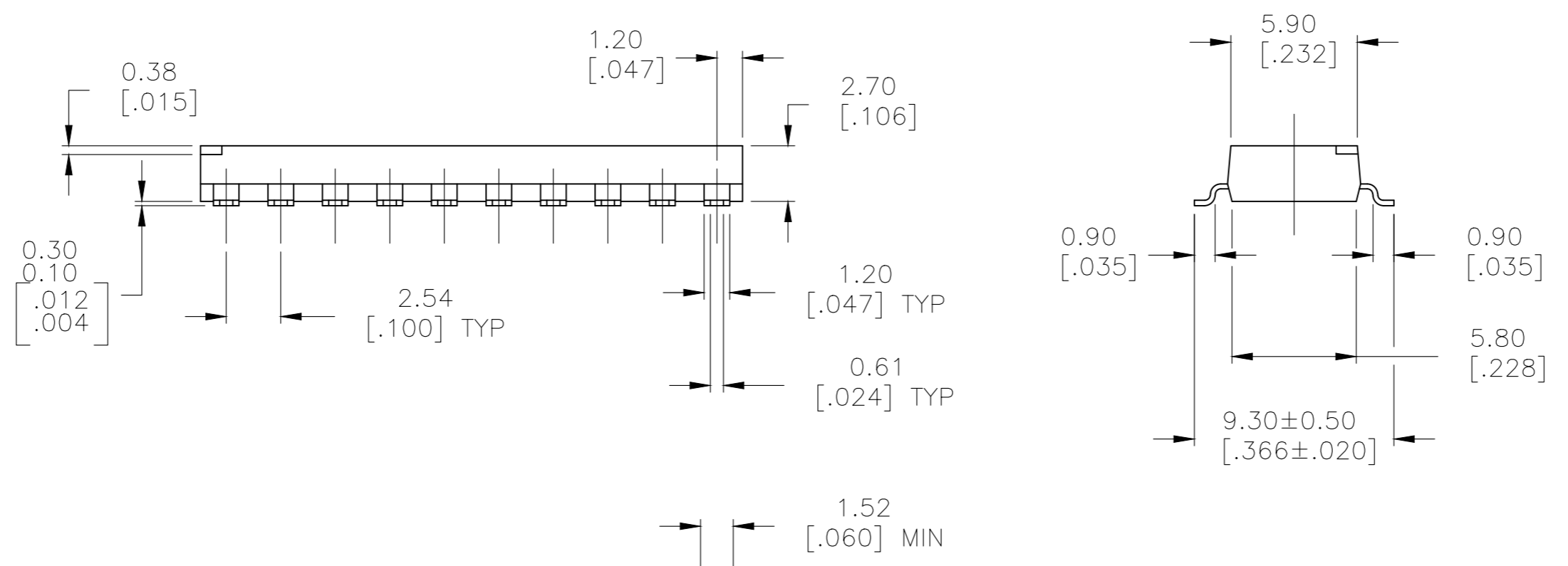
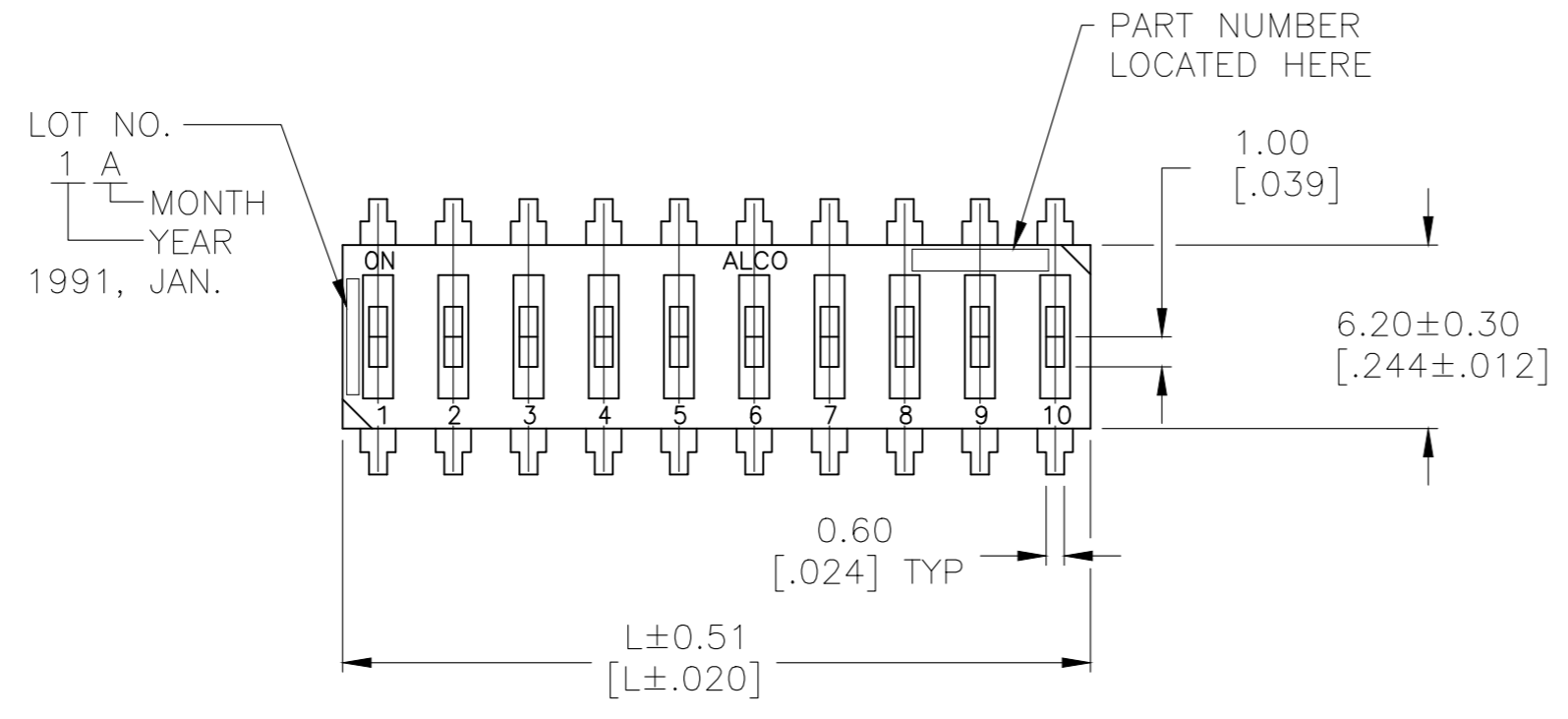
THIS DRAWING IS A CONTROLLED DOCUMENT. DWN B.S.VISWESWARA 03MAR05
 CHK M.S.SARVER
 APVD M.S.SARVER
 PRODUCT SPEC
 APPLICATION SPEC
 WEIGHT -

STE TE Connectivity
 DIP SWITCH ASSEMBLY
 GDS SERIES

SIZE A2 CAGE CODE 00779 DRAWING NO C-1825006 RESTRICTED TO -
 CUSTOMER DRAWING SCALE 4:1 SHEET 1 OF 2 REV R

THIS DRAWING IS UNPUBLISHED. 1825006, 1825006
 RELEASED FOR PUBLICATION ALL RIGHTS RESERVED.

REVISIONS				
P	LTR	DESCRIPTION	DATE	APVD
-	-	SEE SHEET 1	-	-



SURFACE MOUNT PAD LAYOUT

THIS DRAWING IS A CONTROLLED DOCUMENT.		DWN B.S.VISWESWARA 03MAR05	STE TE Connectivity	
DIMENSIONS: mm [INCHES]		CHK M.S.SARVER		
TOLERANCES UNLESS OTHERWISE SPECIFIED:		APVD -	NAME	
0 PLC ± -		PRODUCT SPEC		DIP SWITCH ASSEMBLY GDS SERIES
1 PLC ± -		APPLICATION SPEC		
2 PLC ± 0.25[.010]		SIZE CAGE CODE DRAWING NO		RESTRICTED TO
3 PLC ± -		A2 00779 C-1825006		
4 PLC ± -		WEIGHT		SCALE 4:1 SHEET 2 OF 2 REV R
ANGLES ± 1°		CUSTOMER DRAWING		
MATERIAL -		FINISH -		

X-ON Electronics

Largest Supplier of Electrical and Electronic Components

Click to view similar products for [DIP Switches/SIP Switches](#) category:

Click to view products by [TE Connectivity](#) manufacturer:

Other Similar products are found below :

[78M03S](#) [79B10T](#) [8136-475G4T](#) [G7G-1A2-CB-DC12](#) [H7CZL8AC100240](#) [A7SS-M](#) [A8CA-201](#) [DRR60016](#) [DRS4016](#) [1825008-1](#) [1825444-1](#) [25.350.0653.0](#) [SBS 5004 TG](#) [SDA10H1BDA](#) [97R06ST](#) [A2C-2A5](#) [1825444-7](#) [ADE08SA04](#) [ADE12S04](#) [192960010](#) [2-1825058-8](#) [25.330.0653.1](#) [25.352.0353.0](#) [CXDRIVEV2X](#) [IKN0600000](#) [IKN0800000](#) [LA2-002-DC24](#) [DBS1003](#) [438872000](#) [DRD10CRAE04](#) [DSR02T](#) [DSS 208 N](#) [E2FMX2D1M1TGJ03M](#) [NDI10H](#) [219-9MSTP](#) [204-6ES](#) [EPM02FV](#) [701521596](#) [NDS08V](#) [76SB05](#) [79A10](#) [TD06H0SK1](#) [Z7.255.9027.0](#) [1-1825058-3](#) [1825428-4](#) [219-10LPSTF](#) [E3ZG6111D03M](#) [G4D212PUSTV2DC5](#) [NDI05H](#) [EPG301BT06](#)