

- FOR THIS CONNECTOR, INCLUDE TWO CHROMEL AND TWO ALUMEL SOCKET CONTACTS. SHALL CONFORM TO ANSI SPEC MC 96.1 1982.
- FOR THIS CONNECTOR, INCLUDE ONE CHROMEL AND ONE ALUMEL SOCKET CONTACT. SHALL CONFORM TO ANSI SPEC MC 96.1 1982.
- PLASTIC PROTECTIVE DUST CAPS ARE TO BE ASSEMBLED EXTERNALLY OVER THE FRONT END OF THE COUPLING RING.
- SHELL MATERIAL: STAINLESS STEEL PER AMS5640
SHELL FINISH: PASSIVATED
- ELECTRICAL CONTACT FINISH: 0.000050 MIN THICK GOLD PER MIL-G-45204 OVER 0.000050 MIN THICK NICKEL PER QQ-N-290 AS MEASURED ON CONTACT ENGAGING SURFACES. THERMOCOUPLES ARE NOT PLATED.
DEUTSCH CONTACT PART NUMBERS
STANDARD THERMOCOUPLE

SIZE	ALUMEL	CHROMEL
20	8062-201-2031	0603-15-2001
16	8062-201-1631	0603-15-1601
12	8062-201-1231	N/A

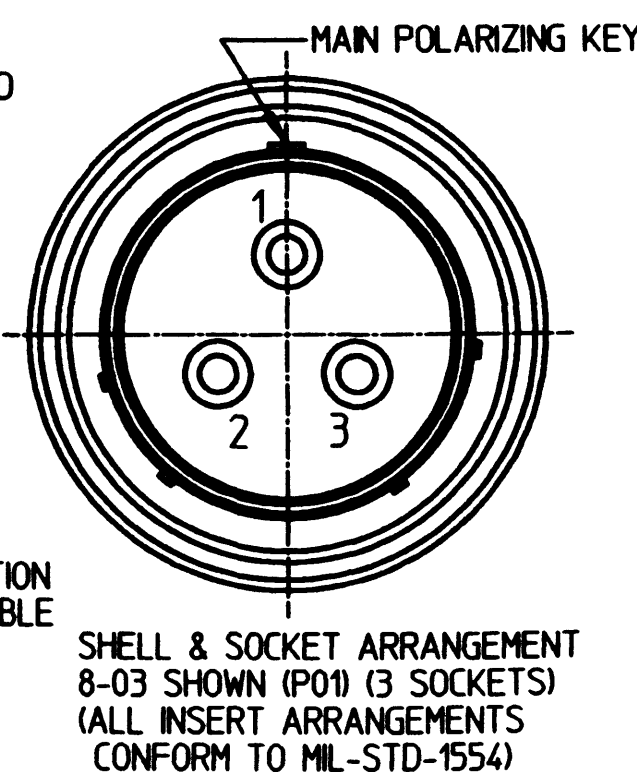
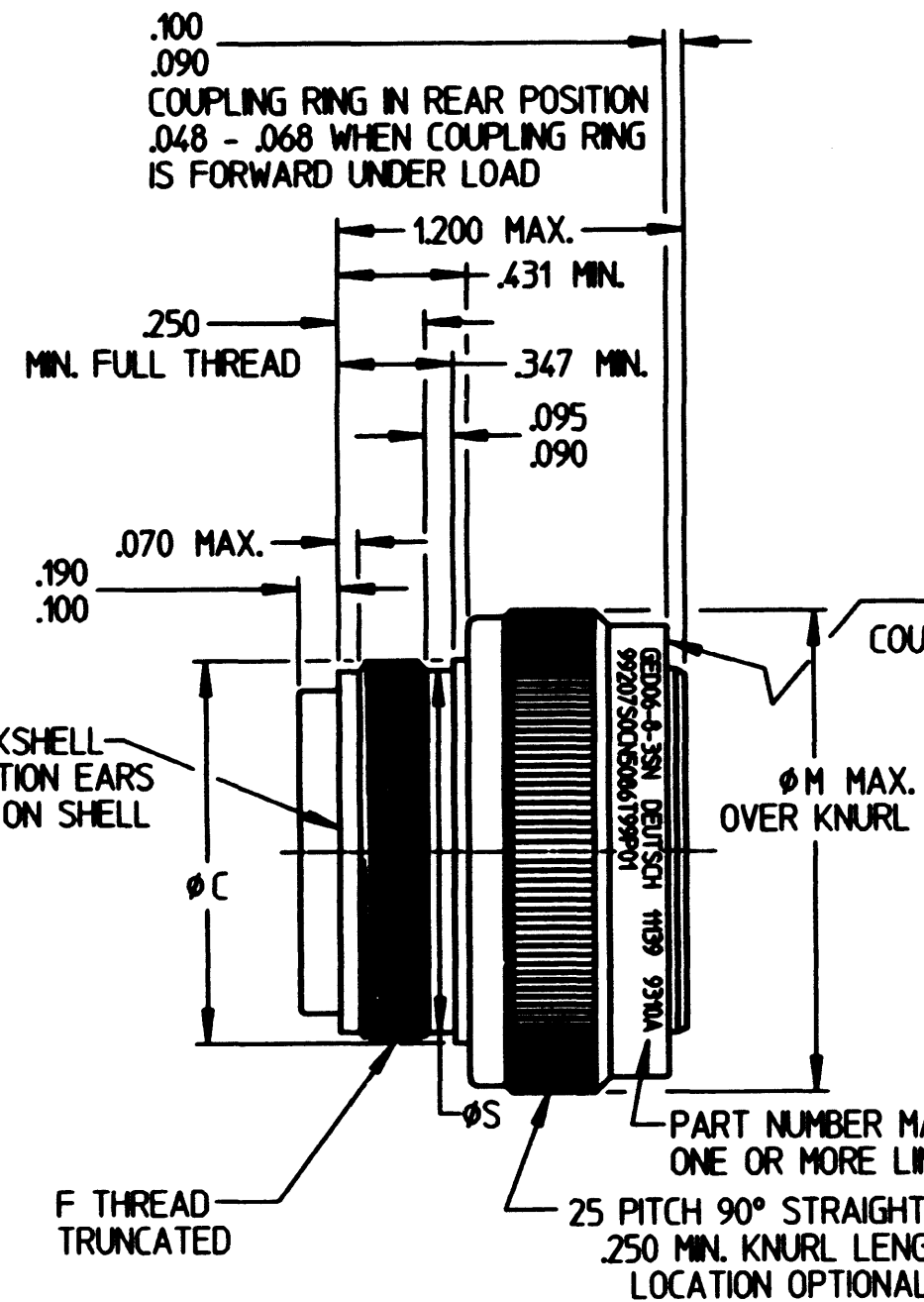
△ TORQUE REQUIRED TO ROTATE COUPLING RING OF PLUG IN EITHER DIRECTION WHEN UNMATED SHALL FALL WITHIN LIMITS GIVEN IN TABLE, EXCEPT TORQUE VALUES IN COUPLING DIRECTION MAY BE 0.1 LB-IN MINIMUM. TORQUE VALUES USED SHALL BE AVERAGE OF DETENT VALUES IN ONE REVOLUTION OF COUPLING NUT FOLLOWING 2 REVOLUTIONS IN LOOSENING DIRECTION. THIS REQUIREMENT CAN BE MET BY MEASURING EVERY FOURTH DETENT.

- ALL CONTACTS PLUS GROMMET SEALING PLUGS SHALL BE SUPPLIED UNASSEMBLED TO CONNECTOR AND ONE CONTACT INSERTION/REMOVAL TOOL SHALL BE SUPPLIED WITH EACH CONNECTOR.

N/C GED06-***S*

REV	DESCRIPTION	DATE	APPROVED
N/C	NEW RELEASE PER E.O. C1622	6-3-94	[Signature]

APPLICABLE NOTES	M MAX.	SHELL MATL.	TORQUE-IN/LBS MIN. MAX.	C	S+.000 -.004	LBS. MAX.	A THREAD	F THREAD	SIMILAR TO	DEUTSCH PART NUMBER	GE PART NUMBER
1 THRU 5	1.203	ST STEEL	1.5 4.5	.847-.851	.806	.119	.9375-20UNEF-2B	.875 -20UNEF-2A	M83723/95G14-07N	GED06-14-7S6	5086T99P59
1 THRU 5	1.682	ST STEEL	2.0 5.0	1.281-1.285	1.237	.231	1.4375-18UNEF-2B	1.3125-18UNEF-2A	M83723/95G22-196	GED06-22-19S6	5086T99P58
1 THRU 5	1.545	ST STEEL	1.8 4.5	1.156-1.160	1.112	.199	1.3125-18UNEF-2B	1.1875-18UNEF-2A	M83723/95G20-418	GED06-20-41S8	5086T99P57
1 THRU 5	1.545	ST STEEL	1.8 4.5	1.156-1.160	1.112	.199	1.3125-18UNEF-2B	1.1875-18UNEF-2A	M83723/95G20-417	GED06-20-41S7	5086T99P56
1 THRU 5	1.545	ST STEEL	1.8 4.5	1.156-1.160	1.112	.199	1.3125-18UNEF-2B	1.1875-18UNEF-2A	M83723/95G20-416	GED06-20-41S6	5086T99P55
1 THRU 5	1.545	ST STEEL	1.8 4.5	1.156-1.160	1.112	.199	1.3125-18UNEF-2B	1.1875-18UNEF-2A	M83723/95G20-41N	GED06-20-41SN	5086T99P54
1 THRU 5	1.432	ST STEEL	1.8 4.5	1.031-1.035	.988	.163	1.1875-18UNEF-2B	1.0625-18UNEF-2A	M83723/95G18-318	GED06-18-31S8	5086T99P53
1 THRU 5	1.432	ST STEEL	1.8 4.5	1.031-1.035	.988	.163	1.1875-18UNEF-2B	1.0625-18UNEF-2A	M83723/95G18-317	GED06-18-31S7	5086T99P52
1 THRU 5	1.432	ST STEEL	1.8 4.5	1.031-1.035	.988	.163	1.1875-18UNEF-2B	1.0625-18UNEF-2A	M83723/95G18-316	GED06-18-31S6	5086T99P51
1 THRU 5	1.326	ST STEEL	1.5 4.5	.972-.976	.931	.143	1.0625-18UNEF-2B	1.000 -20UNEF-2A	M83723/95G16-24Y	GED06-16-24SY	5086T99P50
1 THRU 5	1.326	ST STEEL	1.5 4.5	.972-.976	.931	.143	1.0625-18UNEF-2B	1.000 -20UNEF-2A	M83723/95G16-249	GED06-16-24S9	5086T99P49
1 THRU 5	1.326	ST STEEL	1.5 4.5	.972-.976	.931	.143	1.0625-18UNEF-2B	1.000 -20UNEF-2A	M83723/95G16-248	GED06-16-24S8	5086T99P48
1 THRU 5	1.326	ST STEEL	1.5 4.5	.972-.976	.931	.143	1.0625-18UNEF-2B	1.000 -20UNEF-2A	M83723/95G16-247	GED06-16-24S7	5086T99P47
1 THRU 5	1.090	ST STEEL	1.2 3.5	.729-.733	.681	.102	.875 -20UNEF-2B	.750 -20UNEF-2A	M83723/95G12-12Y	GED06-12-12SY	5086T99P46
1 THRU 5	1.090	ST STEEL	1.2 3.5	.729-.733	.681	.102	.875 -20UNEF-2B	.750 -20UNEF-2A	M83723/95G12-129	GED06-12-12S9	5086T99P45
1 THRU 5	1.090	ST STEEL	1.2 3.5	.729-.733	.681	.102	.875 -20UNEF-2B	.750 -20UNEF-2A	M83723/95G12-128	GED06-12-12S8	5086T99P44
1 THRU 5	1.090	ST STEEL	1.2 3.5	.729-.733	.681	.102	.875 -20UNEF-2B	.750 -20UNEF-2A	M83723/95G12-127	GED06-12-12S7	5086T99P43
1 THRU 5	.958	ST STEEL	0.9 2.7	.602-.606	.560	.079	.6875-24UNEF-2B	.625 -24UNEF-2A	M83723/95G10-05Y	GED06-10-05SY	5086T99P42
1 THRU 5	.958	ST STEEL	0.9 2.7	.602-.606	.560	.079	.6875-24UNEF-2B	.625 -24UNEF-2A	M83723/95G10-059	GED06-10-05S9	5086T99P41
1 THRU 5	.832	ST STEEL	0.5 2.0	.476-.480	.431	.059	.5625-24UNEF-2B	.500 -20UNEF-2A	M83723/95G8-987	GED06-8-98S7	5086T99P40
1 THRU 5	.832	ST STEEL	0.5 2.0	.476-.480	.431	.059	.5625-24UNEF-2B	.500 -20UNEF-2A	M83723/95G8-986	GED06-8-98S6	5086T99P39
1 THRU 5&7	1.203	ST STEEL	1.5 4.5	.847-.851	.806	.119	.9375-20UNEF-2B	.875 -20UNEF-2A	M83723/95G14-07N	GED06-14B7SN	5086T99P38
1 THRU 5	.832	ST STEEL	0.5 2.0	.476-.480	.431	.059	.5625-24UNEF-2B	.500 -20UNEF-2A	M83723/95G8-98N	GED06-8-98SN	5086T99P37
1 THRU 5&7	.958	ST STEEL	0.9 2.7	.602-.606	.560	.079	.6875-24UNEF-2B	.625 -24UNEF-2A	M83723/95G10-05N	GED06-10B5SN	5086T99P36
1 THRU 5	1.090	ST STEEL	1.2 3.5	.729-.733	.681	.099	.875 -20UNEF-2B	.750 -20UNEF-2A	M83723/95G12-03N	GED06-12A3SN	5086T99P35
1 THRU 5	1.432	ST STEEL	1.8 4.5	1.031-1.035	.988	.163	1.1875-18UNEF-2B	1.0625-18UNEF-2A	M83723/95G18-08N	NONE	5086T99P34
1 THRU 5	1.326	ST STEEL	1.5 4.5	.972-.976	.931	.143	1.0625-18UNEF-2B	1.000 -20UNEF-2A	M83723/95G16-24N	GED06-16A24SN	5086T99P33
1 THRU 5	.832	ST STEEL	0.5 2.0	.476-.480	.431	.059	.5625-24UNEF-2B	.500 -20UNEF-2A	M83723/95G8-038	GED06-8-3S8	5086T99P32
1 THRU 5	1.090	ST STEEL	1.2 3.5	.729-.733	.681	.099	.875 -20UNEF-2B	.750 -20UNEF-2A	M83723/95G12-036	GED06-12-3S6	5086T99P31
1 THRU 5	.958	ST STEEL	0.9 2.7	.602-.606	.560	.079	.6875-24UNEF-2B	.625 -24UNEF-2A	M83723/95G10-058	GED06-10-5S8	5086T99P30
1 THRU 5	.958	ST STEEL	0.9 2.7	.602-.606	.560	.079	.6875-24UNEF-2B	.625 -24UNEF-2A	M83723/95G10-057	GED06-10-5S7	5086T99P29
1 THRU 5	1.432	ST STEEL	1.8 4.5	1.031-1.035	.988	.164	1.1875-18UNEF-2B	1.0625-18UNEF-2A	M83723/95G18-14N	GED06-18A14SN	5086T99P28
1 THRU 5&7	1.682	ST STEEL	2.0 5.0	1.281-1.285	1.237	.231	1.4375-18UNEF-2B	1.3125-18UNEF-2A	M83723/95G22-19N	GED06-22B19SN	5086T99P27
1 THRU 5	1.090	ST STEEL	1.2 3.5	.729-.733	.681	.102	.875 -20UNEF-2B	.750 -20UNEF-2A	M83723/95G12-126	GED06-12-12S6	5086T99P26
1 THRU 5	1.326	ST STEEL	1.5 4.5	.972-.976	.931	.143	1.0625-18UNEF-2B	1.000 -20UNEF-2A	M83723/95G16-246	GED06-16A24S6	5086T99P25
1 THRU 5	.832	ST STEEL	0.5 2.0	.476-.480	.431	.059	.5625-24UNEF-2B	.500 -20UNEF-2A	M83723/95G8-037	GED06-8-3S7	5086T99P24
1 THRU 5	.832	ST STEEL	0.5 2.0	.476-.480	.431	.059	.5625-24UNEF-2B	.500 -20UNEF-2A	M83723/95G8-036	GED06-8-3S6	5086T99P23
1 THRU 5&7	1.203	ST STEEL	1.5 4.5	.847-.851	.806	.121	.9375-20UNEF-2B	.875 -20UNEF-2A	M83723/95G14-15N	GED06-14B15SN	5086T99P22
1 THRU 5	1.203	ST STEEL	1.5 4.5	.847-.851	.806	.119	.9375-20UNEF-2B	.875 -20UNEF-2A	M83723/95G14-07N	GED06-14A7SN	5086T99P21
1 THRU 5	1.432	ST STEEL	1.8 4.5	1.031-1.035	.988	.163	1.1875-18UNEF-2B	1.0625-18UNEF-2A	M83723/95G18-31N	GED06-18A31SN	5086T99P20
1 THRU 5	1.203	ST STEEL	1.5 4.5	.847-.851	.806	.119	.9375-20UNEF-2B	.875 -20UNEF-2A	M83723/95G14-07N	GED06-14-7SN	5086T99P19
1 THRU 5	1.682	ST STEEL	2.0 5.0	1.281-1.285	1.237	.231	1.4375-18UNEF-2B	1.3125-18UNEF-2A	M83723/95G22-19N	GED06-22-19SN	5086T99P18
1 THRU 5	1.432	ST STEEL	1.8 4.5	1.031-1.035	.988	.164	1.1875-18UNEF-2B	1.0625-18UNEF-2A	M83723/95G18-14N	GED06-18-14SN	5086T99P17
1 THRU 5	.958	ST STEEL	0.9 2.7	.602-.606	.560	.079	.6875-24UNEF-2B	.625 -24UNEF-2A	M83723/95G10-056	GED06-10-5S6	5086T99P16
1 THRU 5	1.682	ST STEEL	2.0 5.0	1.281-1.285	1.237	.241	1.4375-18UNEF-2B	1.3125-18UNEF-2A	M83723/95G22-55N	GED06-22-55SN	5086T99P15
1 THRU 5	1.326	ST STEEL	1.5 4.5	.972-.976	.931	.143	1.0625-18UNEF-2B	1.000 -20UNEF-2A	M83723/95G16-246	GED06-16-24S6	5086T99P14
1 THRU 5	1.326	ST STEEL	1.5 4.5	.972-.976	.931	.143	1.0625-18UNEF-2B	1.000 -20UNEF-2A	M83723/95G16-24N	GED06-16-24SN	5086T99P13
1 THRU 5	1.203	ST STEEL	1.5 4.5	.847-.851	.806	.121	.9375-20UNEF-2B	.875 -20UNEF-2A	M83723/95G14-15N	GED06-14-15SN	5086T99P12
1 THRU 5	.958	ST STEEL	0.9 2.7	.602-.606	.560	.079	.6875-24UNEF-2B	.625 -24UNEF-2A	M83723/95G10-05N	GED06-10-5SN	5086T99P11
1 THRU 5	1.432	ST STEEL	1.8 4.5	1.031-1.035	.988	.163	1.1875-18UNEF-2B	1.0625-18UNEF-2A	M83723/95G18-31N	GED06-18-31SN	5086T99P08
1 THRU 5	1.090	ST STEEL	1.2 3.5	.729-.733	.681	.102	.875 -20UNEF-2B	.750 -20UNEF-2A	M83723/95G12-12N	GED06-12-12SN	5086T99P04
1 THRU 5	1.090	ST STEEL	1.2 3.5	.729-.733	.681	.099	.875 -20UNEF-2B	.750 -20UNEF-2A	M83723/95G12-03N	GED06-12-3SN	5086T99P03
1 THRU 5	.832	ST STEEL	0.5 2.0	.476-.480	.431	.059	.5625-24UNEF-2B	.500 -20UNEF-2A	M83723/95G8-03N	GED06-8-3SN	5086T99P01



GENERAL ELECTRIC AIRCRAFT ENGINES
CONTROLLED DRAWING OR DOCUMENT
CHANGES MADE PER SOP 79-07-008 ONLY

CONNECTOR MARKING (SAMPLE)
GED06-8-3-SN DEUTSCH 1139 9319A
DATE CODE
CAGE CODE
OR SYMBOL
DEUTSCH PART NUMBER
99207S0CN5086T99P01
GE PART NUMBER

SIGNATURE & DATE	
DR	D.WHITACRE 10/19/93
CHK	Jo Powell 6-3-94
PE	TIM HOLT 10/19/93
APPD	
SCALE	NONE WT

CONNECTOR, PLUG
NON-DECOUPLING
FOR GEAE
ENVELOPE

CP	MATL CODE
DEUTSCH ENGINEERED CONNECTING DEVICES Municipal Airport Banning, California	
C	GED06-***S*
DWG SIZE	CODE 1139 SHEET 1 OF 1

X-ON Electronics

Largest Supplier of Electrical and Electronic Components

Click to view similar products for [Circular MIL Spec Connector](#) category:

Click to view products by [TE Connectivity](#) manufacturer:

Other Similar products are found below :

[89075GULPR](#) [0025-264-3014](#) [58-570121-04S](#) [58-584653-12P](#) [0134-213-1007](#) [0134-213-1208](#) [0134-213-2209](#) [0025-258-000](#) [60-042022-02P](#) [60-042022-19P](#) [60-042022-23P](#) [012-0467-000](#) [602GB06EG24-61SN](#) [0134-201-1207](#) [0134-207-2009](#) [0134-213-1006](#) [6104-207-2302](#) [6104-208-1902](#) [6131-202-19149P](#) [6131-204-21149P](#) [6131-207-13149P](#) [6131-208-13149P](#) [6131-209-17149P](#) [6131-210-11149P](#) [6131-211-19149P](#) [6131-216-19149P](#) [6131-220-25149P](#) [6131-259-11149P](#) [6131-259-21149P](#) [6131-259-23149P](#) [6131-263-19149P](#) [6131-265-17149P](#) [6131-265-19149P](#) [6134-203-21149](#) [CS3100A18-1P-472](#) [CS3100A-36-77S](#) [CS3101A36-79S-SR](#) [CS3102A-10SL-53P](#) [CS3102A10SL-64S](#) [CS3102A-20-15S](#) [CS3102A-22-70S](#) [CS3102A-24-79S](#) [CS3102A24-AJS](#) [CS3102A-32-17P](#) [CS3102A32-25S](#) [CS3106A10SL3S004](#) [CS3106A-18-73S](#) [CS3106A-28-20P](#) [CS3106A-32-82S](#) [CS3106A36-79P-SR](#)