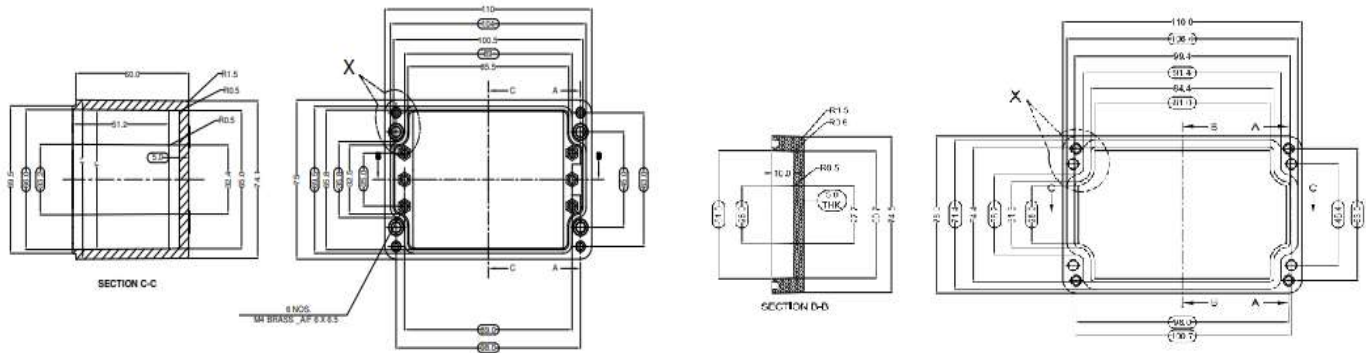


GRJ08



BASE

LID

PRODUCT SPECIFICATION - STANDARD

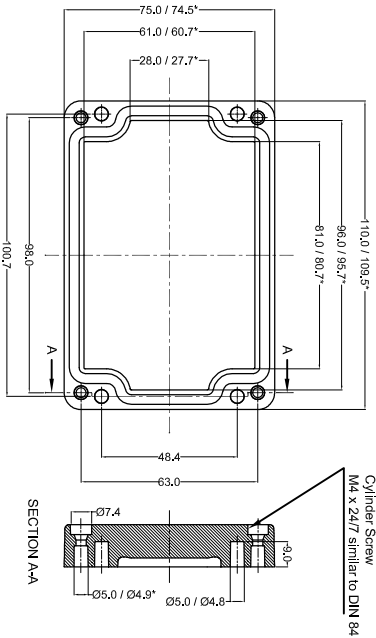
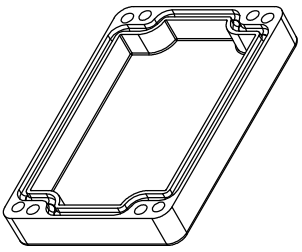
Dim (LxWxH):	110 x 75 x 75
Model No:	GRJ08
Order No :	GRJ08

TECHNICAL SPECIFICATION	GREY	BLACK
Colour	RAL 7000	Similar to RAL 9011
Material	Glass Fiber Reinforced Polyester	Glass Reinforced Polyester - Graphite Added
Gasket:	Neoprene	Silicone
Surface Resistance	> 10 ¹² Ohm	< 10 ⁹ Ohm
Service Temperature	- 40°C to +80°C	-60°C to +110°C
Lid Screw	Captive Screw - SS1.4301 (A2) - M4	
Tightening Torque:	1 to 2 Nm	
Protection	IP 66, EN 60529	
Impact Strength	Impact Energy > 7 Joules, EN 60079	
Flammability	Self Extinguishing, UL 94 V0	
Process Control System	ISO 9001 - 2015, IEC 80079 - 34 - 2011	

AVAILABLE ON DEMAND

DIN Rail	TS15
Mounting Plate	Yes
External Mounting Brackets	Yes
Hinges	No
Alter Lid Screw	Yes
Sealable Lid screw	Yes

LID

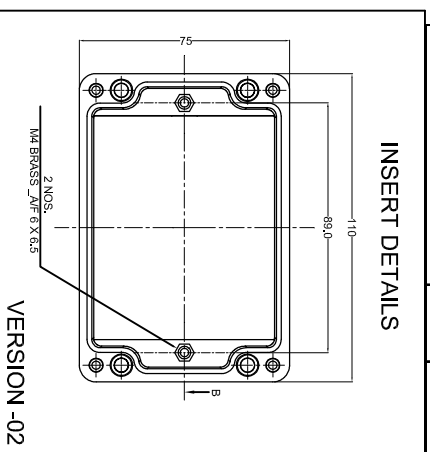


Cylinder Screw
M4 x 24/7 similar to DIN 84

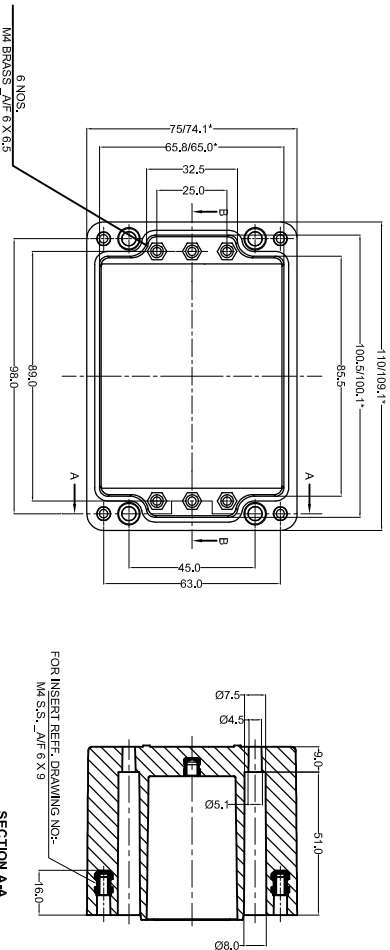
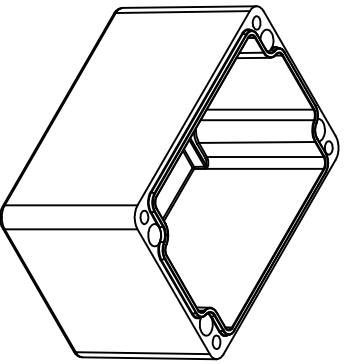
* = Conical form tapering downward.
Undimensioned dimensions per DIN 16901-1:40

OPTIONAL ACCESSORIES		
PART NAME	QTY.	AVAILABILITY
MOUNTING PLATE	1	Y
EXTERNAL HINGE	-	N
INTERNAL HINGE	-	N
MOUNTING BRACKETS	4	Y
NEOPRENE/EMC/SILICON GASKET	1	Y
DIN RAIL TS15	1	Y
DIN RAIL TS35	-	N

INSERT DETAILS

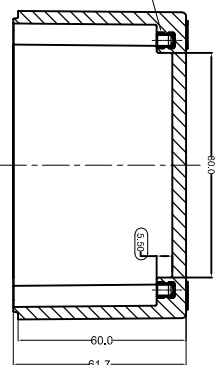


BASE



FOR INSERT REFE. DRAWING NO:-
M4 BRASS 2NF 6 X 6.5

FOR INSERT REFE. DRAWING NO:-
M4 S.S. 2NF 6 X 9



SECTION B-B

Sr.No.	Drawing no.	RM Grade	Finish	VERSION
1	GJB-1107575-B-01	GRP-23	GREY RAL7000	01
2	GJB-1107575-B-02	GRP-30	BLACK RAL9011	02
3	GJB-1107575-B-03	GRP-30	BLACK RAL9011	02

NO.	REV. NO.	DESCRIPTION	DATE	DRAWN	CHECKED

QUANTITY	MATERIAL :-	MACH. NAME	DATE	SIGN	NAME
	GRP				REP'L DESIGN
TOLERANCE	WEIGHT	FINISH	DATE	SIGN	NAME
±0.2			09/01/14		MANOJ DRAWN
HOLE					PAYAN CHECKED
ANGLES					M.S. APPROVED

TITLE :-	SCALE	PARTNO.	DRG. NO.
GRP JUNCTION BOX 110 x 75 x 75			GJB-1107575-0

Raychem RFG (P) Limited
Geet Mahal Annexe,
Dr. Arnie Bassant Road,
Ward - 1, Marolli 400030
Web : www.raychemrfg.com

PROPERTY OF RaychemRFG (P) LTD.
ALL RIGHTS RESERVED AND/OR PHOTOCOPIING THIS DOCUMENT
A PERSON WITHOUT RaychemRFG (P) LTD. WRITTEN AUTHORIZATION IS PROHIBITED

X-ON Electronics

Largest Supplier of Electrical and Electronic Components

Click to view similar products for [Enclosures, Boxes, & Cases](#) *category:*

Click to view products by [TE Connectivity](#) *manufacturer:*

Other Similar products are found below :

[CR-425 PAINTED](#) [585-R-WH-PK](#) [M-10-PLATED](#) [60221-01](#) [60566-01-000](#) [HPL-9VB BATT DOOR](#) [M-16-LID-PLATED](#) [M18-PLTD](#) [M-21-LID-PLATED](#) [M-21-PLATED](#) [M-23-PLATED](#) [CU-281-MB](#) [6711GSKT](#) [71884-29-028](#) [LH45-100 Black](#) [7200B](#) [72868-510-000](#) [CNS-0000 Black](#) [72883-510-000](#) [CNS-0101 Black](#) [72906-510-000](#) [CNS-0407 Black](#) [73091-510-000](#) [CNM-0000-BLACK Kit](#) [73092-510-000](#) [CNM-0101 Black](#) [73108-510-000](#) [CNL-0303 Black](#) [73395-510-039](#) [CNS-0006 Bone](#) [74257-510-000](#) [CNL-0004](#) [MDC-1183-PLAIN-ALUM](#) [MDC-1183-PTD](#) [MDC-13104-PLAIN-ALUM](#) [MDC-211 - PAINTED IVORY/BEIGE](#) [MDC-321-PTD](#) [MDC-432-PLAIN-ALUM](#) [MDC-973-PTD](#) [76](#) [77153-01-028](#) [FLX6030](#) [83535-01-508](#) [PS-11296-G](#) [PS-11298-B](#) [116-508](#) [120-407](#) [120-412](#) [120-909](#) [120-455](#) [R272-100-000](#) [120-910](#) [R501-001-010](#) [R508-080-000](#) [R508-160-000](#) [R530-120-000](#) [R530-122-000](#) [R530-200-000](#) [R531-160-000](#) [R531-200-000](#) [R582-080-100](#)