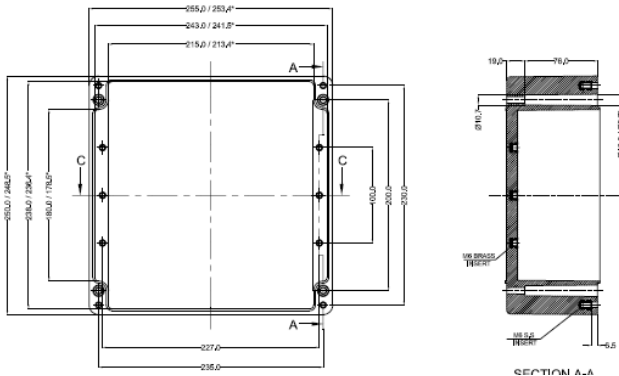


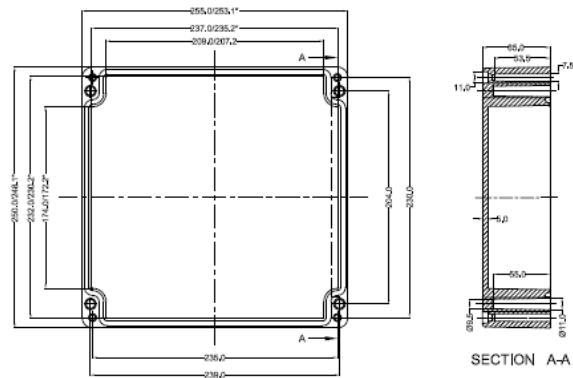
GRJ17



BASE



LID



PRODUCT SPECIFICATION - STANDARD

Dim (LxWxH):	255 X 250 X 160
Model No:	GRJ17
Order No :	GRJ17
Weight (gm):	3.806

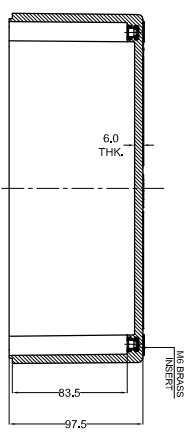
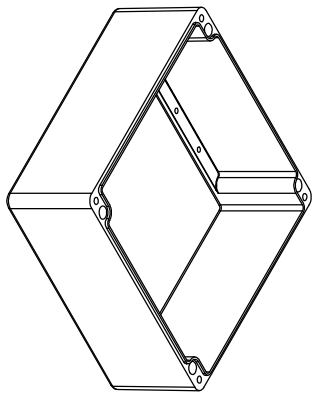
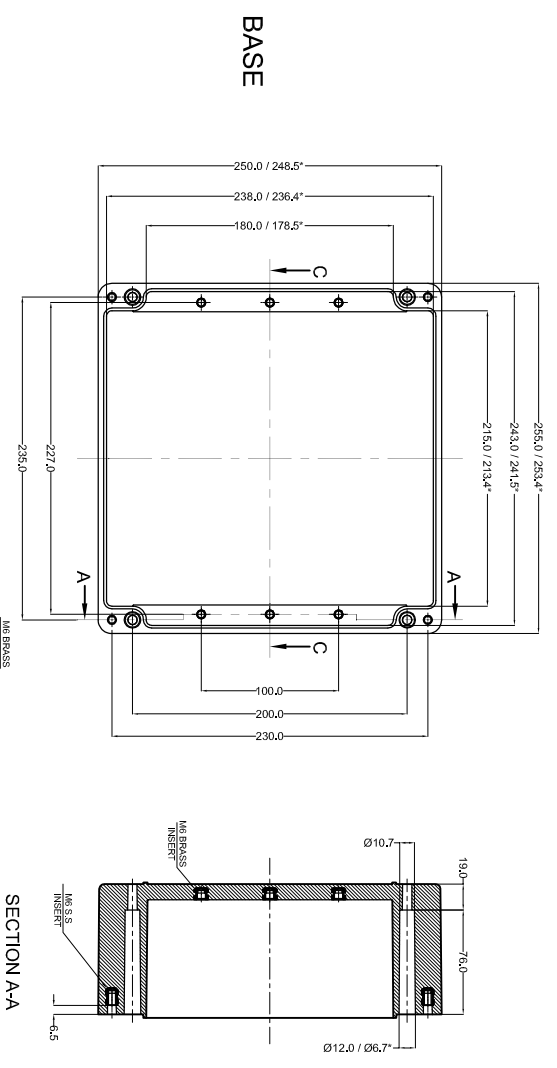
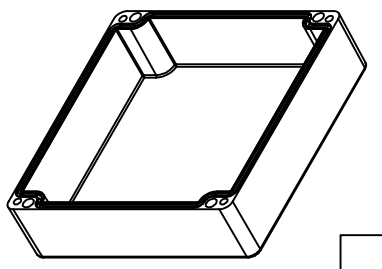
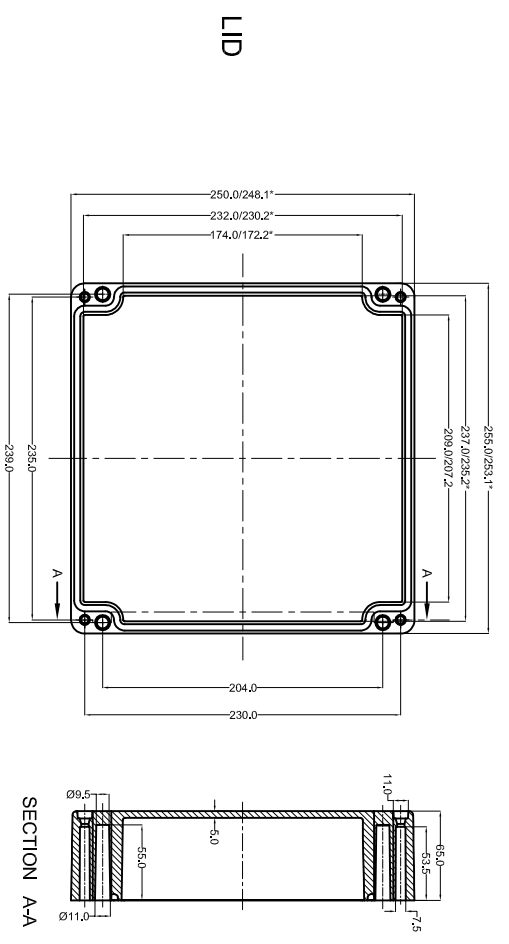
TECHNICAL SPECIFICATION	GREY	BLACK
Colour	RAL 7000	Similar to RAL 9011
Material	Glass Fiber Reinforced Polyester	Glass Reinforced Polyester - Graphite Added
Gasket:	Neoprene	Silicone
Surface Resistance	> 10 ¹² Ohm	< 10 ⁹ Ohm
Service Temperature	- 40°C to +80°C	-60°C to +110°C
Lid Screw	Captive Screw - SS1.4301 (A2) - M6	
Tightening Torque:	2 to 3 Nm	
Protection	IP 66, EN 60529	
Impact Strength	Impact Energy > 7 Joules, EN 60079	
Flammability	Self Extinguishing, UL 94 V0	
Process Control System	ISO 9001 - 2015, IEC 80079 - 34 - 2011	

AVAILABLE ON DEMAND

DIN Rail	TS35
Mounting Plate	Yes
External Mounting Brackets	Yes
Hinges	External
Alter Lid Screw	Yes
Sealable Lid screw	Yes

* = Conical form tapering downward.
 Untoleranced dimensions per DIN 16901-140

OPTIONAL ACCESSORIES		
PART NAME	QTY	AVAILABILITY
MOUNTING PLATE	1	Y
EXTERNAL HINGE	1	Y
INTERNAL HINGE	-	N
MOUNTING BRACKETS	4	Y
NEOPRENE/SILICON GASKET	1	Y
DIN RAIL TS15	-	N
DIN RAIL TS35	1	Y



PROPERTY OF RaychemPG (P) LTD.
 ALL RIGHTS RESERVED AND/OR PHOTOCOPIING THIS DOCUMENT
 TO A PERSON WITHOUT RaychemPG (P) LTD. WRITTEN AUTHORIZATION IS PROHIBITED

Sr.No.	Drawing no.	RM Grade	Finish
2	GIB-255250120-02	GRP-30	BLACK RAL9011
1	GIB-255250120-01	GRP-23	GREY RAL7000

NO.	REV.NO.	DESCRIPTION	DATE	DRAWN	CHECKED

QUANTITY	MATERIAL :-	MACH.NAME	DATE	SIGN	NAME
	GRP		09/01/14		ERPPL DESIGN
			09/01/14		MANOJ DRAWN
					PAYAN CHECKED
					I.E.S. APPROVED

TOLERANCE	WEIGHT	FINISH	SCALE	PARTNO.
±0.5				
±0.2 HOLES				
±1.0° ANGLES				

TITLE :-	Raychem Rpg (P) Limited	DRG. NO.
GRP JUNCTION BOX	Ceat Mahal Annex, Dr. Arne Bassant Road, Ward, Mumbai 400030 Web : www.raychemrpg.com	GIB-255250160-0

X-ON Electronics

Largest Supplier of Electrical and Electronic Components

Click to view similar products for [Enclosures, Boxes, & Cases](#) *category:*

Click to view products by [TE Connectivity](#) *manufacturer:*

Other Similar products are found below :

[CR-425 PAINTED](#) [585-R-WH-PK](#) [M-10-PLATED](#) [60221-01](#) [60566-01-000](#) [HPL-9VB BATT DOOR](#) [M-16-LID-PLATED](#) [M18-PLTD](#) [M-21-LID-PLATED](#) [M-21-PLATED](#) [M-23-PLATED](#) [CU-281-MB](#) [6711GSKT](#) [71884-29-028](#) [LH45-100 Black](#) [7200B](#) [72868-510-000](#) [CNS-0000 Black](#) [72883-510-000](#) [CNS-0101 Black](#) [72906-510-000](#) [CNS-0407 Black](#) [73091-510-000](#) [CNM-0000-BLACK Kit](#) [73092-510-000](#) [CNM-0101 Black](#) [73108-510-000](#) [CNL-0303 Black](#) [73395-510-039](#) [CNS-0006 Bone](#) [74257-510-000](#) [CNL-0004](#) [MDC-1183-PLAIN-ALUM](#) [MDC-1183-PTD](#) [MDC-13104-PLAIN-ALUM](#) [MDC-211 - PAINTED IVORY/BEIGE](#) [MDC-321-PTD](#) [MDC-432-PLAIN-ALUM](#) [MDC-973-PTD](#) [76](#) [77153-01-028](#) [FLX6030](#) [83535-01-508](#) [PS-11296-G](#) [PS-11298-B](#) [116-508](#) [120-407](#) [120-412](#) [120-909](#) [120-455](#) [R272-100-000](#) [120-910](#) [R501-001-010](#) [R508-080-000](#) [R508-160-000](#) [R530-120-000](#) [R530-122-000](#) [R530-200-000](#) [R531-160-000](#) [R531-200-000](#) [R582-080-100](#)