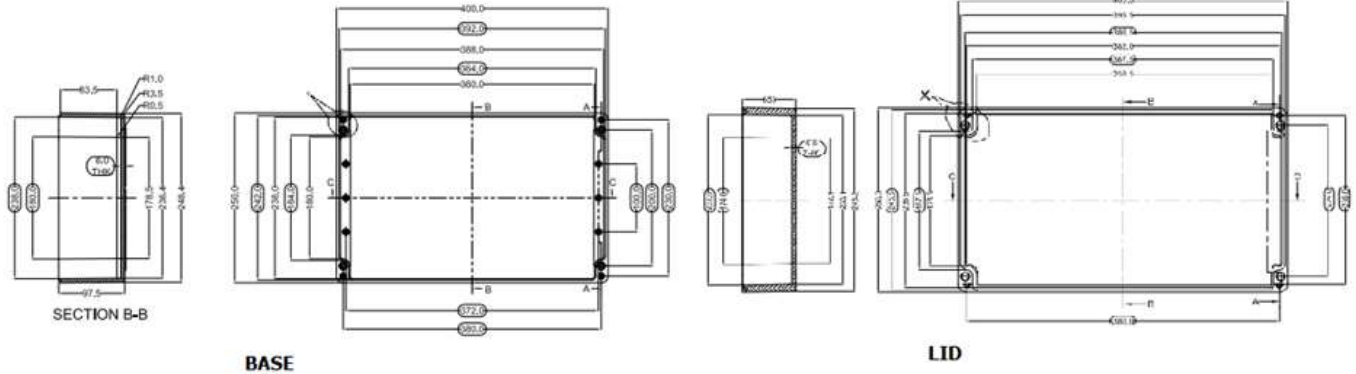


GRJ18



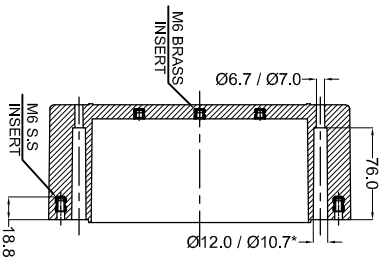
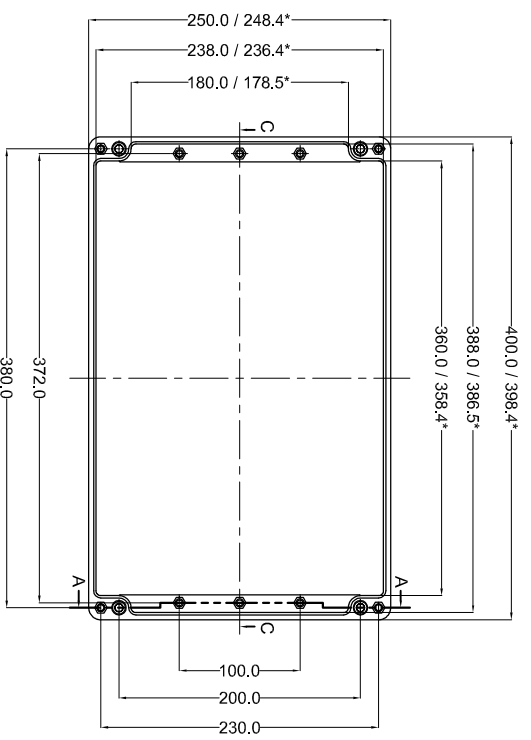
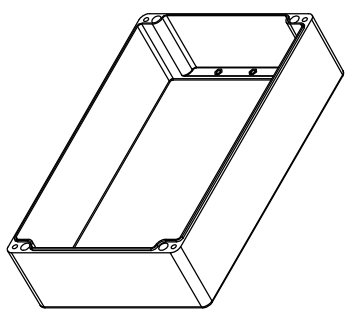
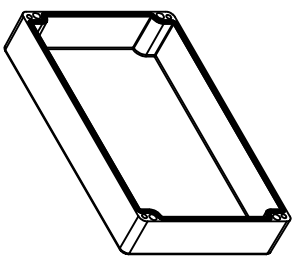
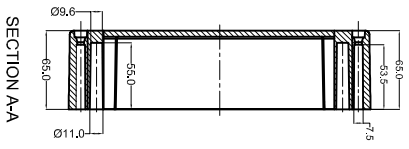
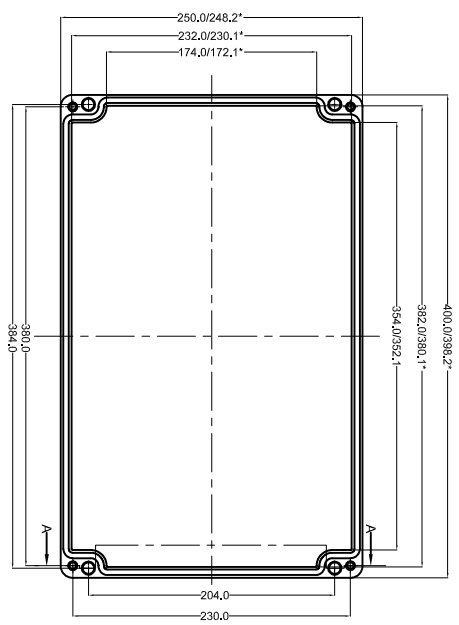
PRODUCT SPECIFICATION - STANDARD	
Dim (LxWxH):	400 x 250 x 160
Model No:	GRJ18
Order No :	GRJ18

TECHNICAL SPECIFICATION	GREY	BLACK
Colour	RAL 7000	Similar to RAL 9011
Material	Glass Fiber Reinforced Polyester	Glass Reinforced Polyester - Graphite Added
Gasket:	Neoprene	Silicone
Surface Resistance	> 10 ¹² Ohm	< 10 ⁹ Ohm
Service Temperature	- 40°C to +80°C	-60°C to +110°C
Lid Screw	Captive Screw - SS1.4301 (A2) – M6	
Tightening Torque:	3-4 Nm	
Protection	IP 66, EN 60529	
Impact Strength	Impact Energy > 7 Joules, EN 60079	
Flammability	Self Extinguishing, UL 94 V0	
Process Control System	ISO 9001 - 2015, IEC 80079 - 34 - 2011	

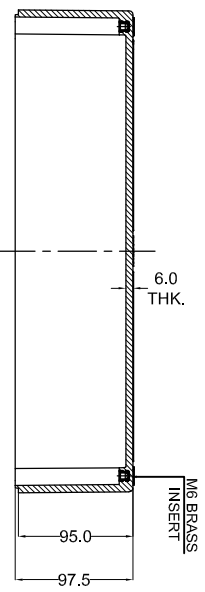
AVAILABLE ON DEMAND	
DIN Rail	TS35
Mounting Plate	Yes
External Mounting Brackets	Yes
Hinges	No
Alter Lid Screw	Yes
Sealable Lid screw	Yes

* = Conical form tapering downward.
 Untoleranced dimensions per DIN 16901-140

OPTIONAL ACCESSORIES		
PART NAME	QTY.	AVAILABILITY
MOUNTING PLATE	1	Y
EXTERNAL HINGE	1	Y
INTERNAL HINGE	-	N
MOUNTING BRACKETS	4	Y
NEOPRENE/SILICON GASKET	1	Y
DIN RAIL TS15	-	N
DIN RAIL TS35	1	Y



SECTION A-A



SECTION C-C

Sr.No.	Drawing no.	RM Grade	Finish
2	GJB-400250120-02	GRP-30	BLACK RAL9011
1	GJB-400250120-01	GRP-23	GREY RAL7000

NO.	REV.NO.	DESCRIPTION	DATE	DRAWN	CHECKED
-	-	-	-	-	-

QUANTITY	MATERIAL	MACH NAME	DATE	SIGN	NAME
-	GRP	-	09/01/14		REP'L DESIGN
			09/01/14		MANOJ DRAWN
					PAYAN CHECKED
					I.E.S. APPROVED

TOLERANCE	FINISH	TITLE	SCALE	PARTNO.
±0.2	-	GRP JUNCTION BOX 400 x 250 x 160	001	-
±0.2 HOLES				
±1.0° ANGLES				

WEIGHT	FINISH	Raychem Rpg (p) Limited	DRG. NO.
-	-	Cell: Mahal Anare, Dr. Arnie Bessant Road, Wadi, Mumbai 400030 Web: www.raychemrpg.com	GJB-400250160-0

PROPERTY OF RaychemRPG (P) LTD.
 ALL RIGHTS RESERVED AND/OR PHOTOCOPIING THIS DOCUMENT
 A PERSON WITHOUT RaychemRPG (P) LTD. WRITTEN AUTHORIZATION IS PROHIBITED

BASE

ID

X-ON Electronics

Largest Supplier of Electrical and Electronic Components

Click to view similar products for [Enclosures, Boxes, & Cases](#) *category:*

Click to view products by [TE Connectivity](#) *manufacturer:*

Other Similar products are found below :

[CR-425 PAINTED](#) [585-R-WH-PK](#) [M-10-PLATED](#) [60221-01](#) [60566-01-000](#) [HPL-9VB BATT DOOR](#) [M-16-LID-PLATED](#) [M18-PLTD](#) [M-21-LID-PLATED](#) [M-21-PLATED](#) [M-23-PLATED](#) [CU-281-MB](#) [6711GSKT](#) [71884-29-028](#) [LH45-100 Black](#) [7200B](#) [72868-510-000](#) [CNS-0000 Black](#) [72883-510-000](#) [CNS-0101 Black](#) [72906-510-000](#) [CNS-0407 Black](#) [73091-510-000](#) [CNM-0000-BLACK Kit](#) [73092-510-000](#) [CNM-0101 Black](#) [73108-510-000](#) [CNL-0303 Black](#) [73395-510-039](#) [CNS-0006 Bone](#) [74257-510-000](#) [CNL-0004](#) [MDC-1183-PLAIN-ALUM](#) [MDC-1183-PTD](#) [MDC-13104-PLAIN-ALUM](#) [MDC-211 - PAINTED IVORY/BEIGE](#) [MDC-321-PTD](#) [MDC-432-PLAIN-ALUM](#) [MDC-973-PTD](#) [76](#) [77153-01-028](#) [FLX6030](#) [83535-01-508](#) [PS-11296-G](#) [PS-11298-B](#) [116-508](#) [120-407](#) [120-412](#) [120-909](#) [120-455](#) [R272-100-000](#) [120-910](#) [R501-001-010](#) [R508-080-000](#) [R508-160-000](#) [R530-120-000](#) [R530-122-000](#) [R530-200-000](#) [R531-160-000](#) [R531-200-000](#) [R582-080-100](#)