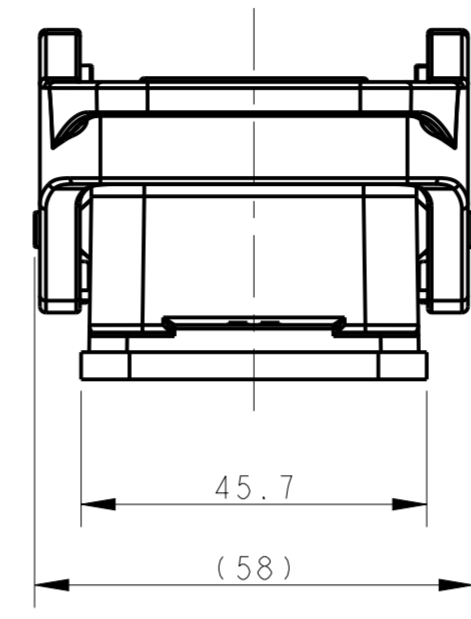
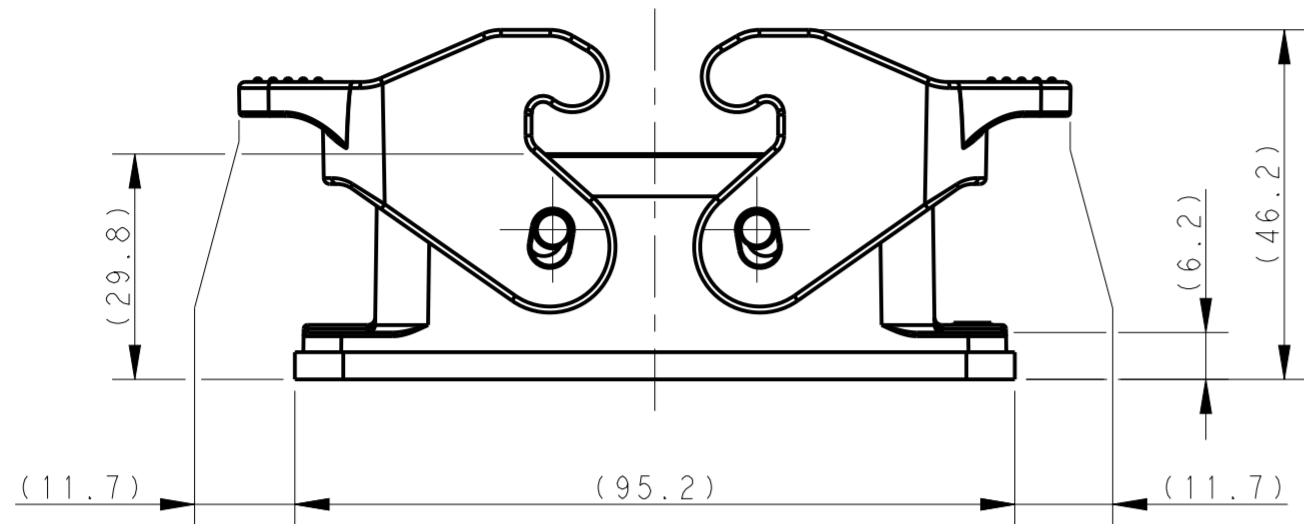


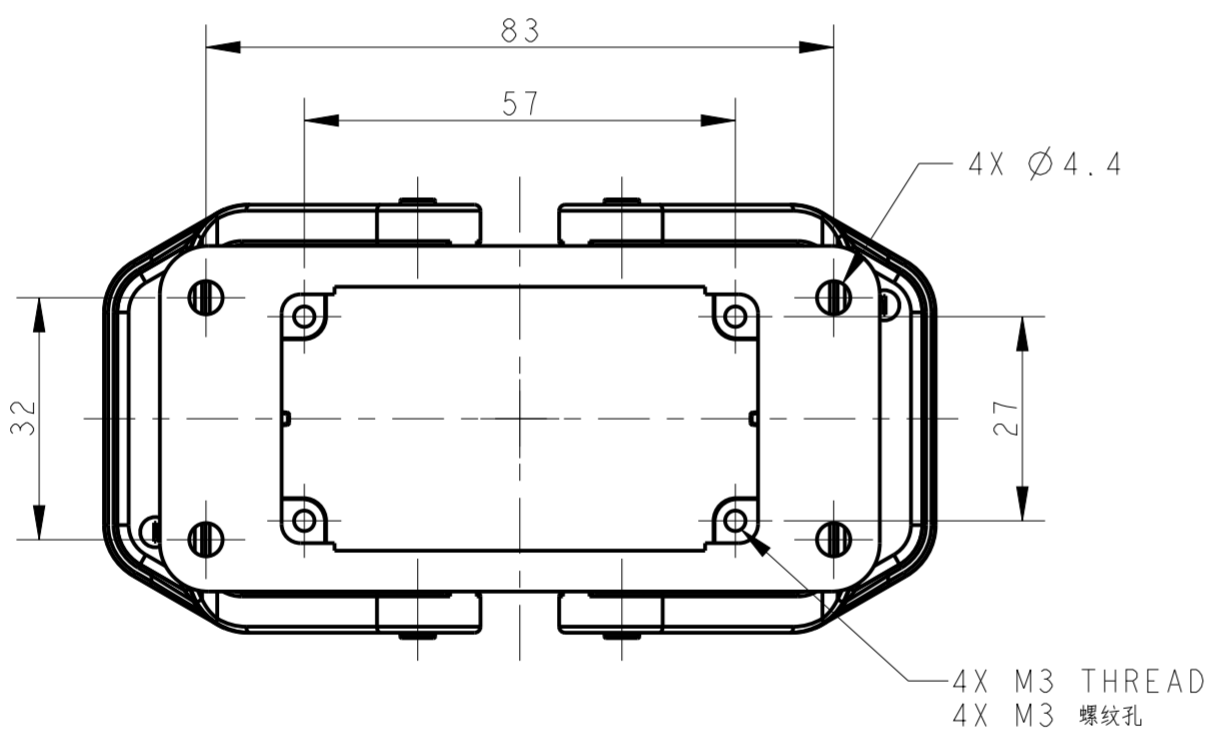
THIS DRAWING IS UNPUBLISHED. RELEASED FOR PUBLICATION 20
 © COPYRIGHT 20 BY - ALL RIGHTS RESERVED.

| REVISIONS | | | | | |
|-----------|-----|-----------------|-----------|-----|------|
| P | LTR | DESCRIPTION | DATE | DWN | APVD |
| A | | INITIAL RELEASE | 06APR2017 | DW | CW |
| B | | ECR-20-014388 | 26NOV2020 | WOR | CW |

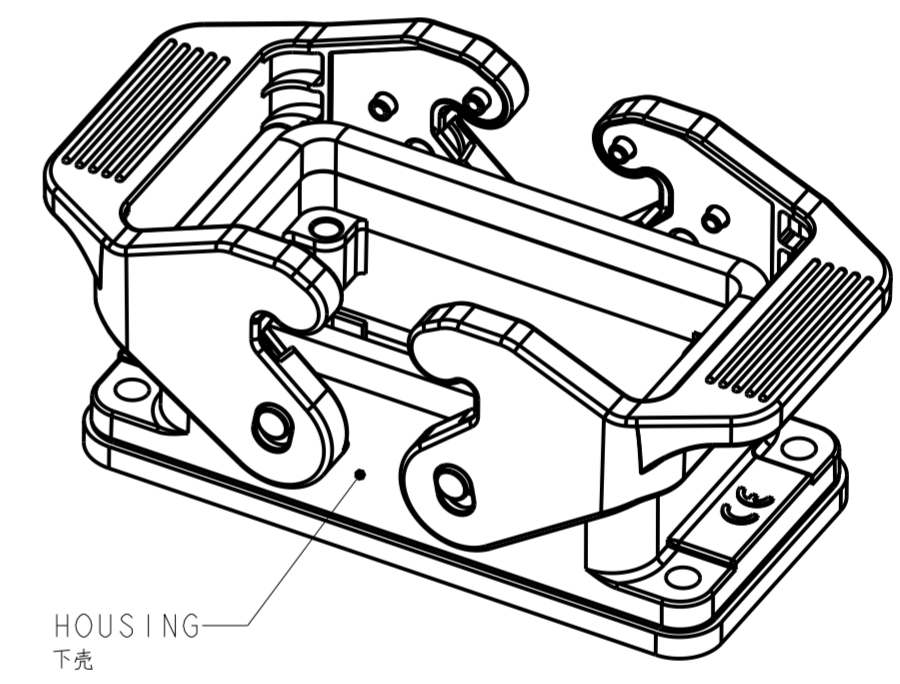
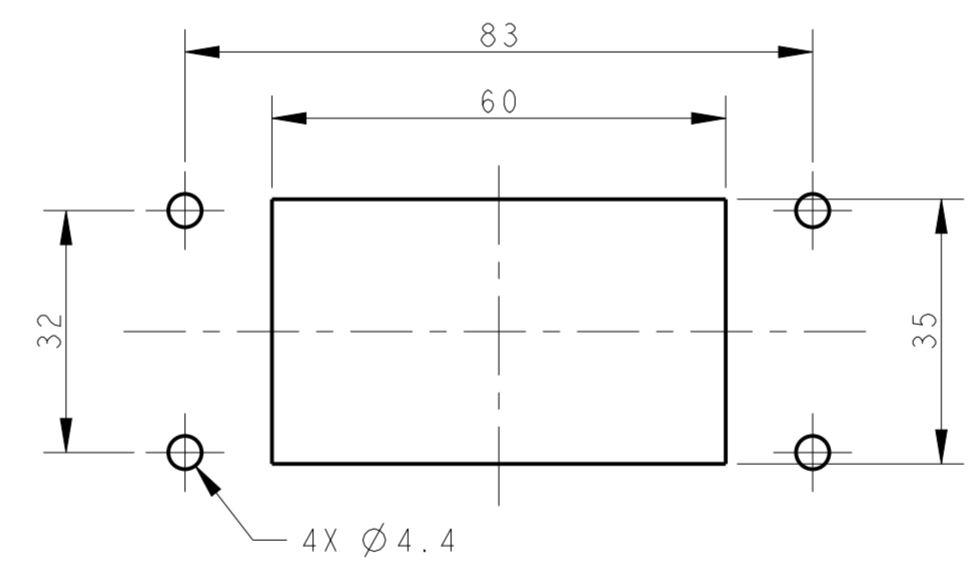


NOTES:
 1. TECHNICAL CHARACTERISTICS:
 HOUSING MATERIAL: DIE CAST ALUMINIUM ALLOY
 HOUSING SURFACE: POWDER COATED, GREY
 DEGREE OF PROTECTION: IP65 (MATED)

注释:
 1. 技术参数:
 下壳材料: 铝合金
 下壳表面处理: 灰色粉末涂层
 防护等级: IP65(配合)



PANEL CUT OUT DIMENSION, ONLY FOR REFERENCE
 面板开口尺寸, 仅供参考



| | | |
|---------------------|------------|---|
| TI410100000-000 | H10B-AG-SL | H10B HOUSING, BULKHEAD MOUNTED, PLASTIC DOUBLE LOCKING POWDER COATED, GREY H10B下壳, 开孔安装, 塑料双扣, 灰色粉末喷涂 |
| PART NUMBER 零件料号 | | PART DESCRIPTION 零件描述 |

| | | | |
|---|--|--|---|
| THIS DRAWING IS A CONTROLLED DOCUMENT. | | DWN 06APR2017 DAVID WANG | TE Connectivity NAME H10B-AG-SL |
| DIMENSIONS: mm | | CHK 06APR2017 CHRIS WANG | |
| TOLERANCES UNLESS OTHERWISE SPECIFIED: | | APVD 06APR2017 XIANG XU | |
| 0 PLC ±- 1 PLC ±- 2 PLC ±- 3 PLC ±- 4 PLC ±- ANGLES ±- FINISH - | | PRODUCT SPEC 108-137018 APPLICATION SPEC 114-137018 WEIGHT - CUSTOMER DRAWING | |
| MATERIAL - | | | SIZE A2 CAGE CODE 00779 DRAWING NO. C-T1410100000000 RESTRICTED TO SCALE 1:1 SHEET 1 OF 1 REV B |

X-ON Electronics

Largest Supplier of Electrical and Electronic Components

Click to view similar products for [Heavy Duty Power Connectors](#) category:

Click to view products by [TE Connectivity](#) manufacturer:

Other Similar products are found below :

[647757-1](#) [6643411-1](#) [6646058-2](#) [6646137-1](#) [6646138-1](#) [6646479-1](#) [6646608-1](#) [6646786-1](#) [6646940-1](#) [6651091-1](#) [6651525-1](#) [6651529-1](#)
[6651788-1](#) [696475-1](#) [702-32-01109](#) [703-25-02205](#) [73000005059](#) [73000005642](#) [73080255059](#) [73080965046](#) [765-15-0080A](#) [765-16-0080B](#)
[765-18-0080D](#) [829992-1](#) [902-77-02113](#) [PS00/A0620/6300](#) [PS25/A0420/63](#) [129-1J](#) [1409400](#) [AN0024023](#) [E6374G1](#) [e6389g2](#) [157-43GW8](#)
[MS3117-14AC](#) [1643543-1](#) [1650540-1](#) [1651811-2](#) [1766260-1](#) [1766282-1](#) [1766966-1](#) [1791340000](#) [NLDFT-3-BL-L-S120-M40A](#) [NLDFT-N-](#)
[W-L-C240-M40B](#) [NLS-2-R-C240-M40B](#) [NLS-N-W-C240-M40B](#) [NPS-3-BL-T6](#) [1986615-1](#) [2-1589900-8](#) [2199314-1](#) [KA8102](#)