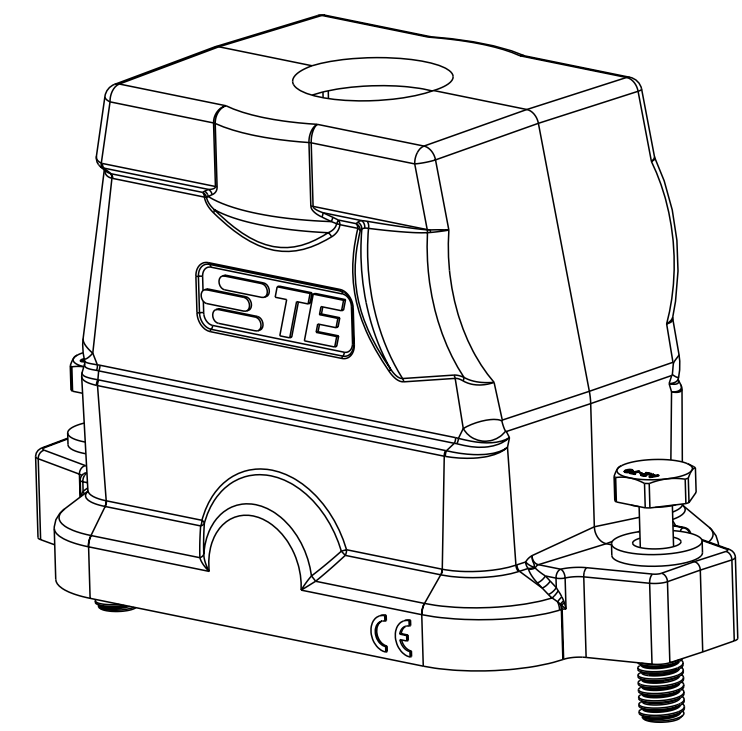
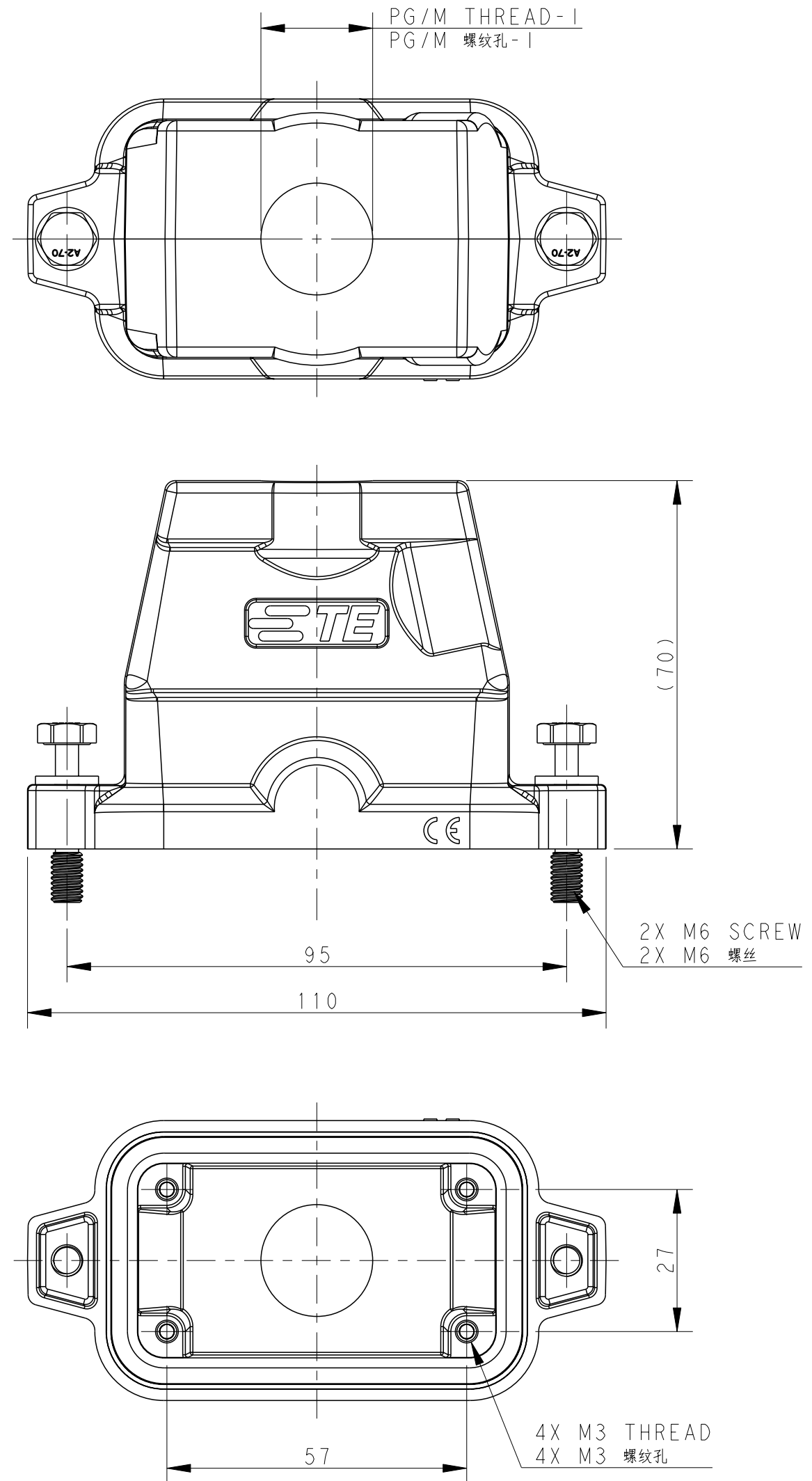


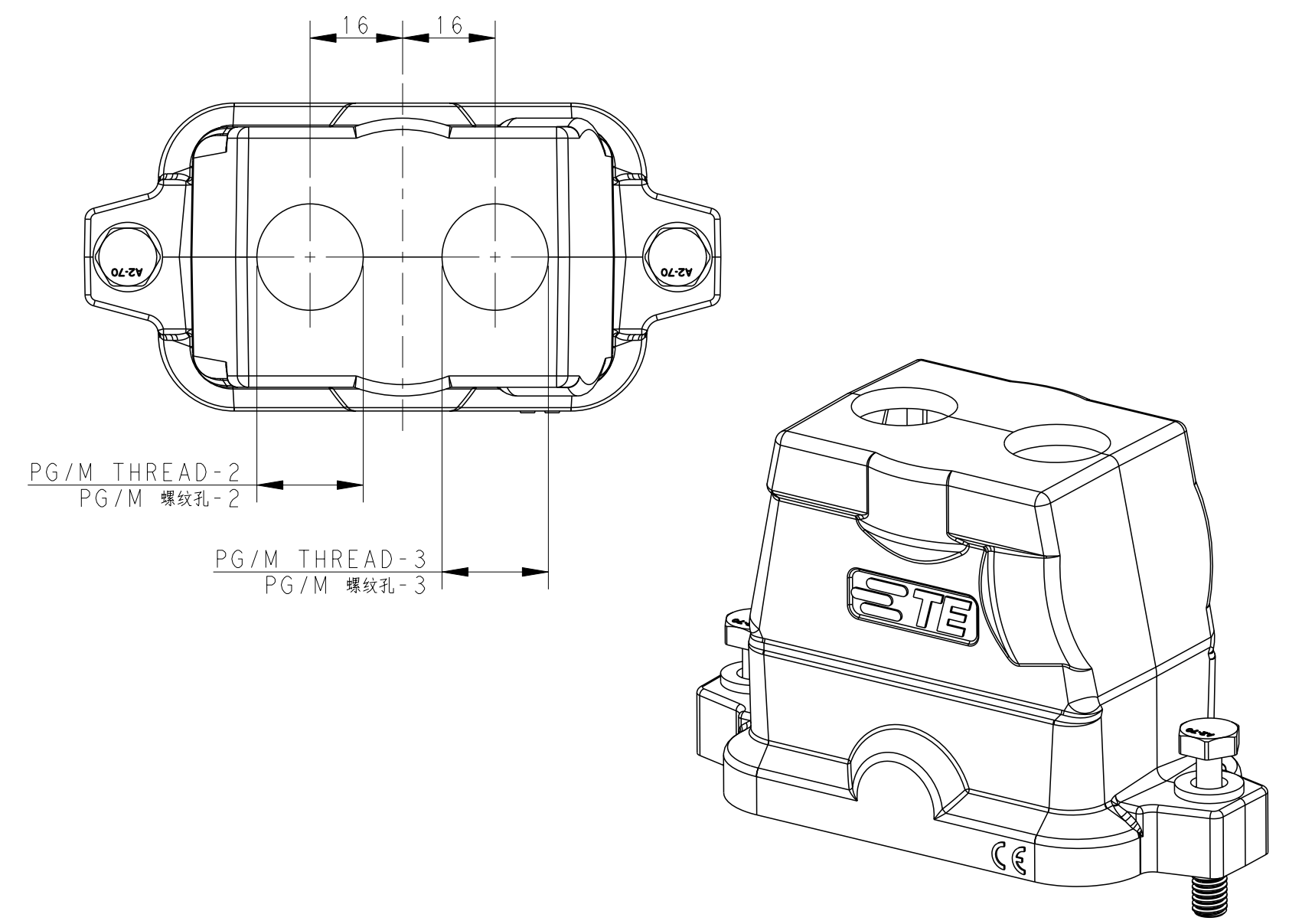
TYPE 1

Single PG/M thread



TYPE 2

Two PG/M threads



All dimension is same as TYPE 1, except those defined in this TYPE

NOTES:
 1. TECHNICAL CHARACTERISTICS:
 HOOD MATERIAL: DIE CAST ALUMINIUM ALLOY
 SURFACE: SEE TABLE
 DEGREE OF PROTECTION: IP68 (MATED)

注释
 1. 技术参数:
 壳体材料: 铝合金
 表面处理: 见表格
 防护等级: IP68 (配合)

REVISIONS				
P	LTR	DESCRIPTION	DATE	APVD
A		INITIAL RELEASE	14OCT2016	DW CW
B		ECR-20-016312	04JUN2021	BS CW

THIS DRAWING IS A CONTROLLED DOCUMENT.		DWN DAVID WANG 14OCT2016	STE TE Connectivity	
		CHK CHRIS WANG 14OCT2016		
		APVD XIANG XU 14OCT2016	NAME H10BPR-TGHC-PG/M-EMC-C	
DIMENSIONS: mm		PRODUCT SPEC 108-137191	SIZE A2	
TOLERANCES UNLESS OTHERWISE SPECIFIED:		APPLICATION SPEC 114-137191	CAGE CODE -	DRAWING NO. C-T192210XXXX009
0 PLC ±-		WEIGHT -	RESTRICTED TO -	
1 PLC ±		CUSTOMER DRAWING	SCALE 1:1	SHEET 1 OF 2
2 PLC ±-			REV B	
3 PLC ±-				
4 PLC ±-				
ANGLES ±				
FINISH -				

Printed on 8 Jun 2021 09:24 (China Standard Time) from TE236667

THIS DRAWING IS UNPUBLISHED. RELEASED FOR PUBLICATION 20
 © COPYRIGHT 20 BY - ALL RIGHTS RESERVED.

REVISIONS				
P	LTR	DESCRIPTION	DATE	APVD
-		SEE SHEET 1	-	-

NOTES:
SEE SHEET 1

PART NUMBER 料号	DESCRIPTION 描述	PG/M THREAD-3 PG/M 螺纹-3	PG/M THREAD-2 PG/M 螺纹-2	PG/M THREAD-1 PG/M 螺纹-1	TYPE 类型
T1922100220-009	H10BPR-TGHC-2M20-EMC-C H10BPR 中部锁定顶出上壳M20 黑色	M20	M20	-	TYPE 2 类型2
T1922102132-009	H10BPR-TGHC-M32-EMC-C H10BPR 中部锁定顶出上壳M32 灰色	-	-	M32	TYPE 1 类型1
T1922102129-009	H10BPR-TGHC-PG29-EMC-C H10BPR 中部锁定顶出上壳PG29 灰色	-	-	PG29	
T1922102125-009	H10BPR-TGHC-M25-EMC-C H10BPR 中部锁定顶出上壳M25 灰色	-	-	M25	
T1922102121-009	H10BPR-TGHC-PG21-EMC-C H10BPR 中部锁定顶出上壳PG21 灰色	-	-	PG21	
T1922102120-009	H10BPR-TGHC-M20-EMC-C H10BPR 中部锁定顶出上壳M20 灰色	-	-	M20	
T1922102116-009	H10BPR-TGHC-PG16-EMC-C H10BPR 中部锁定顶出上壳PG16 灰色	-	-	PG16	
T1922101132-009	H10BPR-TGHC-M32-EMC-C H10BPR 中部锁定顶出上壳M32 银白色	-	-	M32	
T1922101129-009	H10BPR-TGHC-PG29-EMC-C H10BPR 中部锁定顶出上壳PG29 银白色	-	-	PG29	
T1922101125-009	H10BPR-TGHC-M25-EMC-C H10BPR 中部锁定顶出上壳M25 银白色	-	-	M25	
T1922101121-009	H10BPR-TGHC-PG21-EMC-C H10BPR 中部锁定顶出上壳PG21 银白色	-	-	PG21	
T1922101120-009	H10BPR-TGHC-M20-EMC-C H10BPR 中部锁定顶出上壳M20 银白色	-	-	M20	
T1922101116-009	H10BPR-TGHC-PG16-EMC-C H10BPR 中部锁定顶出上壳PG16 银白色	-	-	PG16	
T1922100132-009	H10BPR-TGHC-M32-EMC-C H10BPR 中部锁定顶出上壳M32 黑色	-	-	M32	
T1922100129-009	H10BPR-TGHC-PG29-EMC-C H10BPR 中部锁定顶出上壳PG29 黑色	-	-	PG29	
T1922100125-009	H10BPR-TGHC-M25-EMC-C H10BPR 中部锁定顶出上壳M25 黑色	-	-	M25	
T1922100121-009	H10BPR-TGHC-PG21-EMC-C H10BPR 中部锁定顶出上壳PG21 黑色	-	-	PG21	
T1922100120-009	H10BPR-TGHC-M20-EMC-C H10BPR 中部锁定顶出上壳M20 黑色	-	-	M20	
T1922100116-009	H10BPR-TGHC-PG16-EMC-C H10BPR 中部锁定顶出上壳PG16 黑色	-	-	PG16	

THIS DRAWING IS A CONTROLLED DOCUMENT.

DWN	DAVID WANG	14OCT2016
CHK	CHRIS WANG	14OCT2016
APVD	XIANG XU	14OCT2016
PRODUCT SPEC	108-137191	
APPLICATION SPEC	114-137191	
WEIGHT	-	
CUSTOMER DRAWING	SCALE	1:1

STE TE Connectivity

NAME: H10BPR-TGHC-PG/M-EMC-C

SIZE	A2	CAGE CODE	-	DRAWING NO	G-T192210XXXX009	RESTRICTED TO	-
SHEET	2	OF	2	REV	B		

Printed on 8 Jun 2021 09:24 (China Standard Time) from TE236667

X-ON Electronics

Largest Supplier of Electrical and Electronic Components

Click to view similar products for [Heavy Duty Power Connectors](#) category:

Click to view products by [TE Connectivity](#) manufacturer:

Other Similar products are found below :

[647757-1](#) [6643411-1](#) [6646058-2](#) [6646137-1](#) [6646138-1](#) [6646479-1](#) [6646608-1](#) [6646786-1](#) [6646940-1](#) [6651091-1](#) [6651525-1](#) [6651529-1](#)
[6651788-1](#) [696475-1](#) [702-32-01109](#) [703-25-02205](#) [73000005059](#) [73000005642](#) [73080255059](#) [73080965046](#) [765-15-0080A](#) [765-16-0080B](#)
[765-18-0080D](#) [829992-1](#) [902-77-02113](#) [PS00/A0620/6300](#) [PS25/A0420/63](#) [129-1J](#) [1409400](#) [AN0024023](#) [E6374G1](#) [e6389g2](#) [157-43GW8](#)
[MS3117-14AC](#) [1643543-1](#) [1650540-1](#) [1651811-2](#) [1766260-1](#) [1766282-1](#) [1766966-1](#) [1791340000](#) [NLDFT-3-BL-L-S120-M40A](#) [NLDFT-N-](#)
[W-L-C240-M40B](#) [NLS-2-R-C240-M40B](#) [NLS-N-W-C240-M40B](#) [NPS-3-BL-T6](#) [1986615-1](#) [2-1589900-8](#) [2199314-1](#) [KA8102](#)