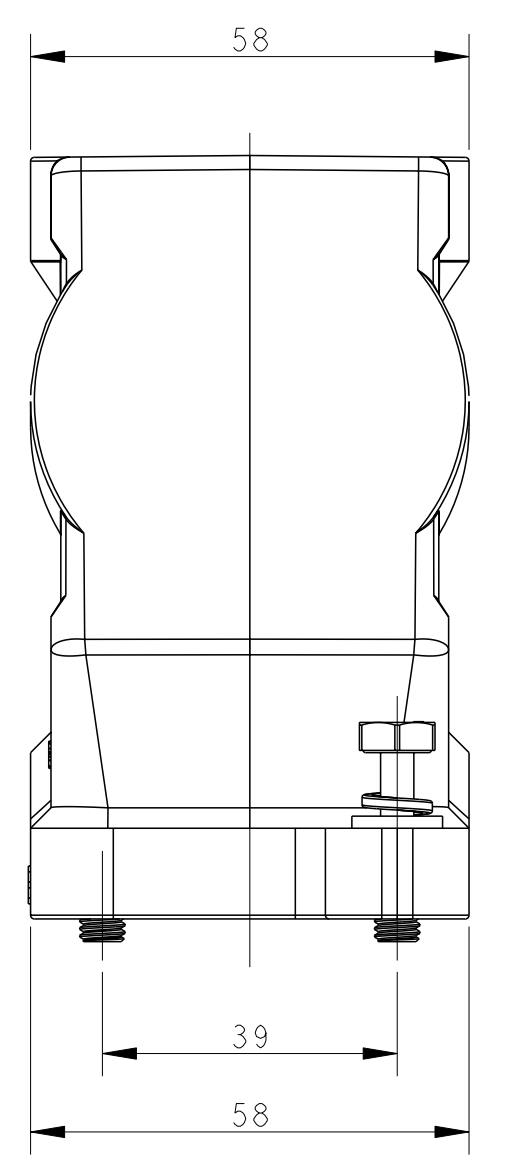
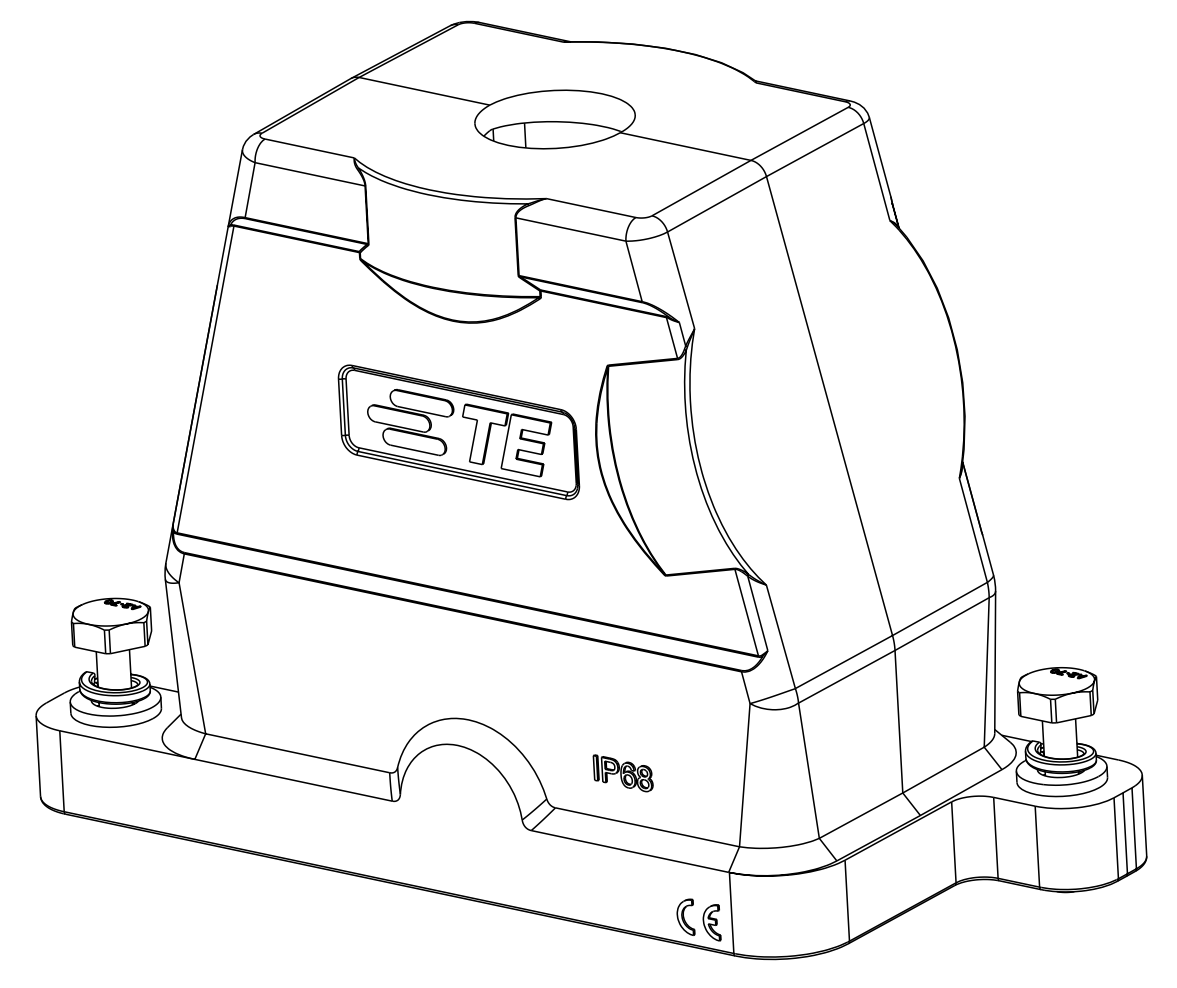
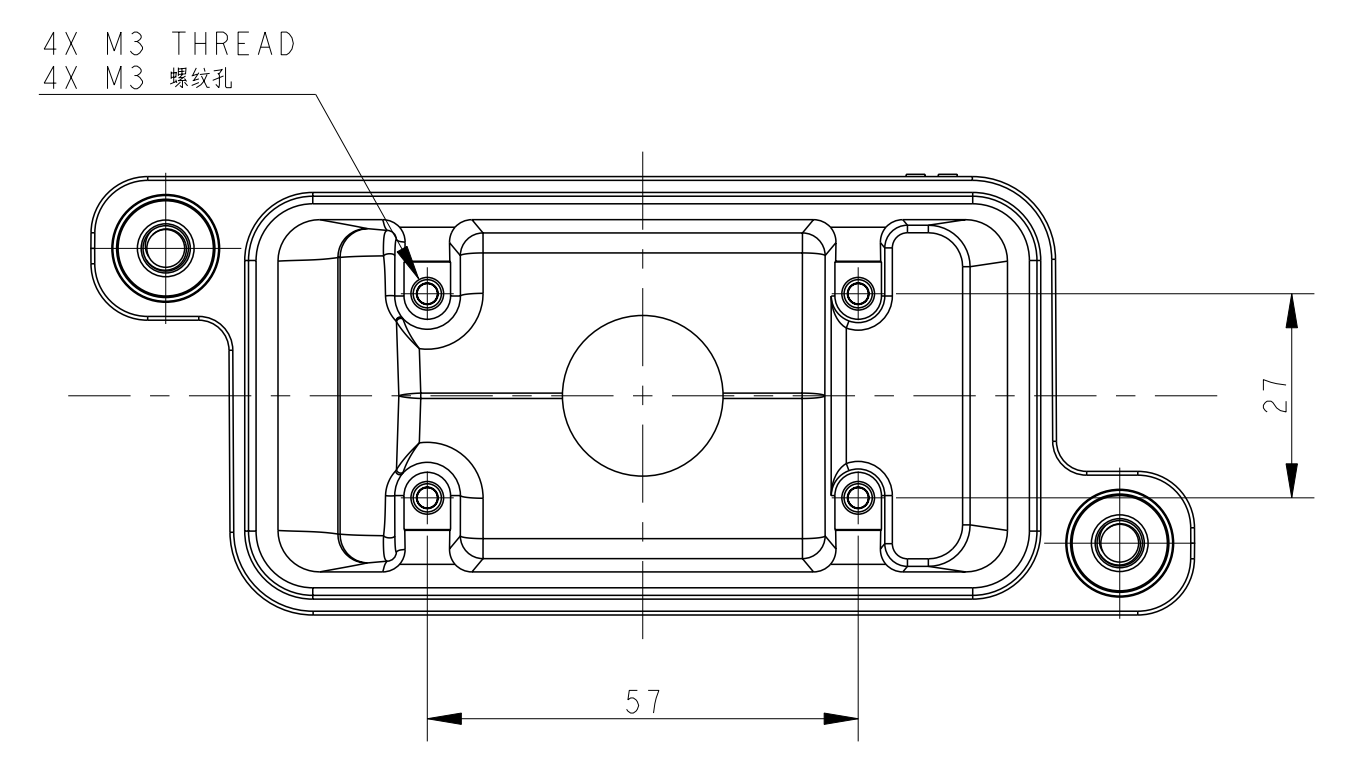
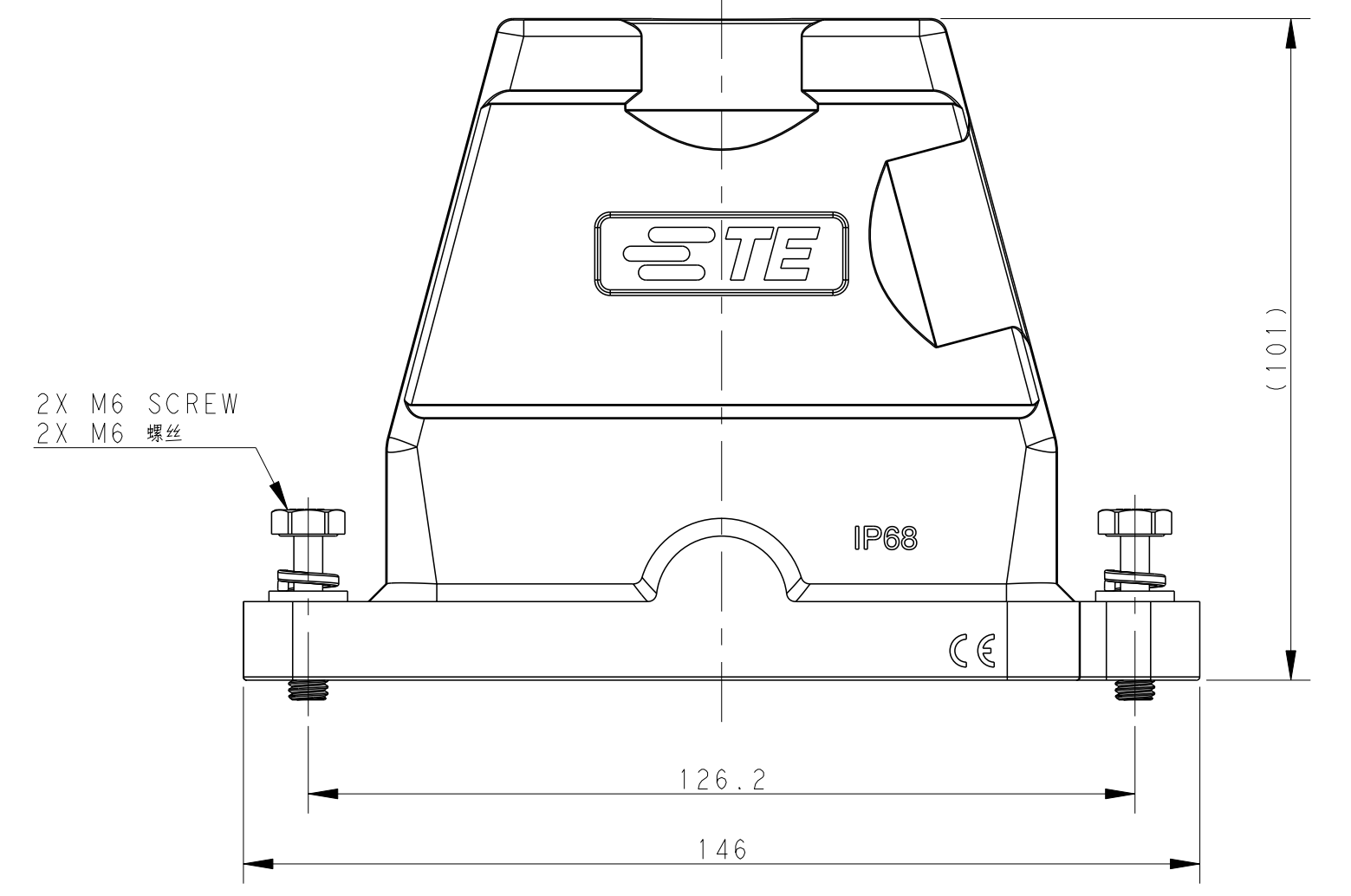
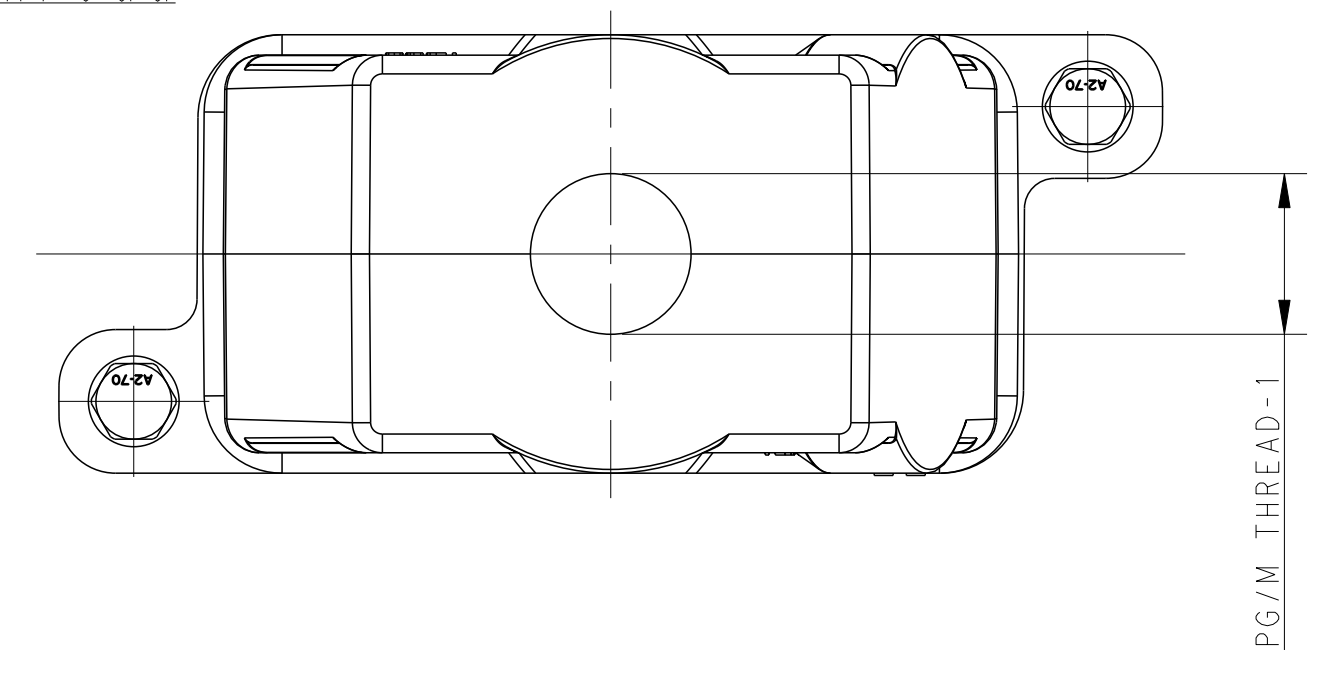


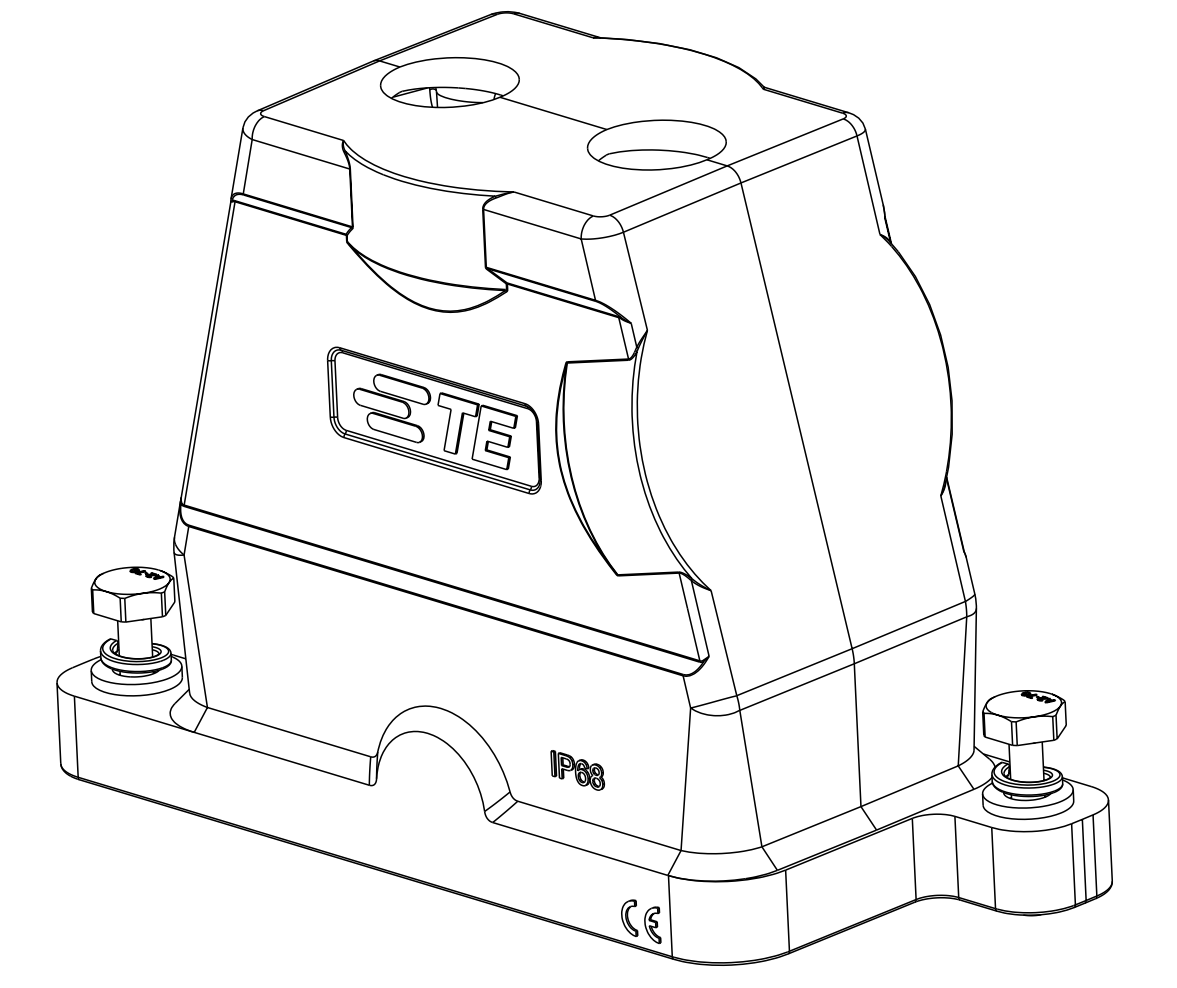
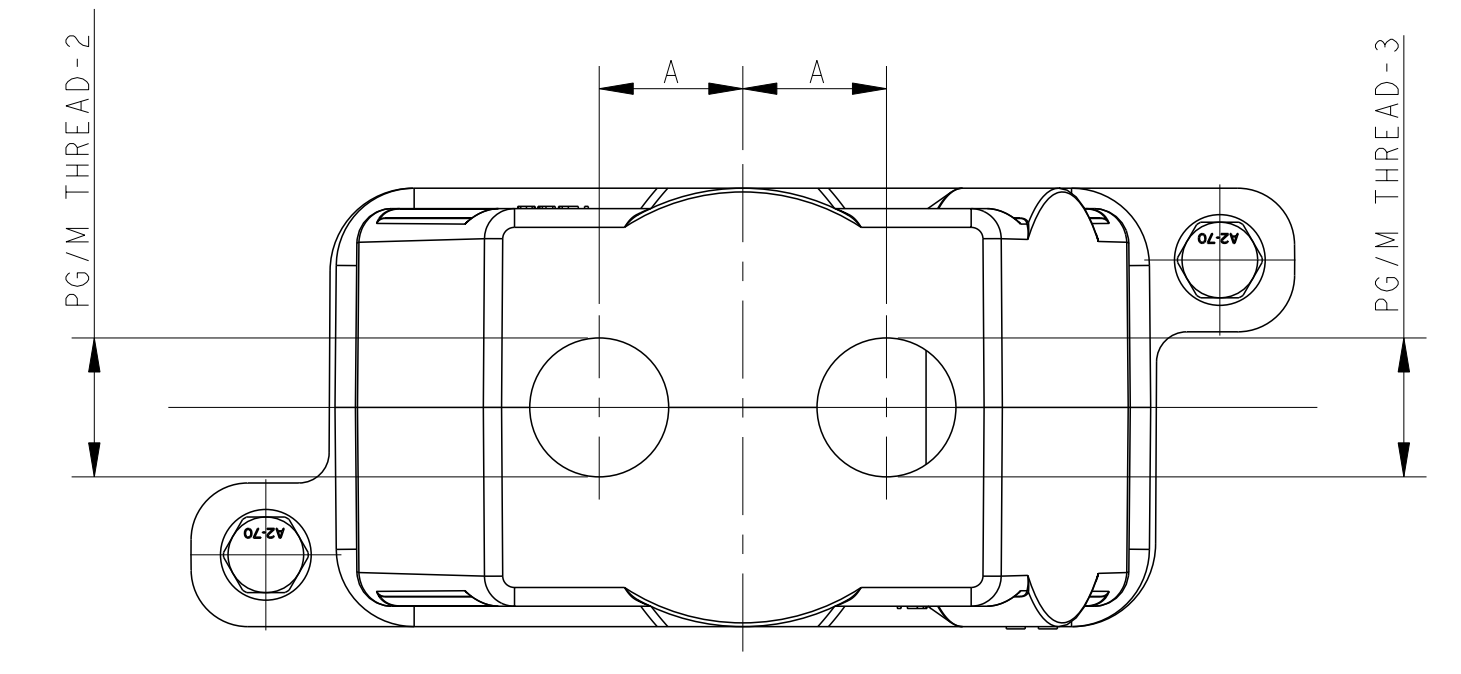
TYPE 1 : 类型 1

Single PG/M thread
单个螺纹孔



TYPE 2 : 类型 2

Two PG/M threads
双螺纹孔



All dimension is same as TYPE 1, except those defined in this TYPE
除了此类型中定义的尺寸外, 其余尺寸参考类型 1

REVISIONS				
#	LY#	DESCRIPTION	DATE	OWN APVD
A		INITIAL RELEASE	20SEP2016	DW CW
A1		ECR-18-017251	08NOV2018	CD CW
B		ECR-20-016312	03JUN2021	BS CW

NOTES:
1. TECHNICAL CHARACTERISTICS:
HOOD MATERIAL: DIE CAST ALUMINIUM ALLOY
SURFACE: SEE TABLE
DEGREE OF PROTECTION: IP68 (MATED)

注释:
1. 技术参数:
壳体材料: 铝合金
表面处理: 见表格
防护等级: IP68 (配合)


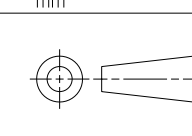
THIS DRAWING IS A CONTROLLED DOCUMENT.		OWN: DAVID WANG 20SEP2016	TE Connectivity
DIMENSIONS:		CHK: CHRIS WANG 20SEP2016	
mm	TOLERANCES UNLESS OTHERWISE SPECIFIED:	APVD: XIANG XU 20SEP2016	NAME: H10BPR-TGH-PG/M-EMC-C
0 PLC ±	1 PLC ±	PRODUCT SPEC	SIZE: A1
2 PLC ±	3 PLC ±	108-137191	CAGE CODE: -
4 PLC ±	ANGLES FINISH ±	APPLICATION SPEC	DRAWING NO: C-T192010XXXXX09
MATERIAL: -	WEIGHT: -	114-137191	RESTRICTED TO: -
Customer Drawing	SCALE: 1:1	SHEET 1 OF 2	REV B

THIS DRAWING IS UNPUBLISHED. RELEASED FOR PUBLICATION 20
 © COPYRIGHT 20 BY ALL RIGHTS RESERVED.

REVISIONS				
#	LY#	DESCRIPTION	DATE	OWN APVD
-	-	SEE SHEET 1	-	-

NOTES:
 SEE SHEET 1
 备注:
 见 SHEET 1

PART NUMBER	料号	PART DESCRIPTION	描述	PG/M THREAD-3	PG/M THREAD-2	PG/M THREAD-1	DIM A	TYPE
				PG/M 螺纹-3	PG/M 螺纹-2	PG/M 螺纹-1	尺寸 A	类型
T1920102220-009	H10BPR-TGH-2M20-EMC-C	H10BPR HOOD, DIAGONAL LOCKING, TOP ENTRY 2M20, POWDER COATED,GREY H10BPR对角锁定顶出上壳2M20 灰色		M20	M20	-	17	TYPE 2 类型2
T1920100225-009	H10BPR-TGH-2M25-EMC-C	H10BPR HOOD, DIAGONAL LOCKING, TOP ENTRY 2M25, POWDER COATED,BLACK H10BPR对角锁定顶出上壳2M25 黑色		M25	M25	-	19	
T1920100220-009	H10BPR-TGH-2M20-EMC-C	H10BPR HOOD, DIAGONAL LOCKING, TOP ENTRY 2M20, POWDER COATED,BLACK H10BPR对角锁定顶出上壳2M20 黑色		M20	M20	-	17	
T1920102140-009	H10BPR-TGH-M40-EMC-C	H10BPR HOOD, DIAGONAL LOCKING, TOP ENTRY M40, POWDER COATED,GREY H10BPR对角锁定顶出上壳M40 灰色		-	-	M40	-	
T1920102132-009	H10BPR-TGH-M32-EMC-C	H10BPR HOOD, DIAGONAL LOCKING, TOP ENTRY M32, POWDER COATED,GREY H10BPR对角锁定顶出上壳M32 灰色		-	-	M32	-	
T1920102129-009	H10BPR-TGH-PG29-EMC-C	H10BPR HOOD, DIAGONAL LOCKING, TOP ENTRY PG29, POWDER COATED,GREY H10BPR对角锁定顶出上壳PG29 灰色		-	-	PG29	-	
T1920102125-009	H10BPR-TGH-M25-EMC-C	H10BPR HOOD, DIAGONAL LOCKING, TOP ENTRY M25, POWDER COATED,GREY H10BPR对角锁定顶出上壳M25 灰色		-	-	M25	-	
T1920102121-009	H10BPR-TGH-PG21-EMC-C	H10BPR HOOD, DIAGONAL LOCKING, TOP ENTRY PG21, POWDER COATED,GREY H10BPR对角锁定顶出上壳PG21 灰色		-	-	PG21	-	
T1920102120-009	H10BPR-TGH-M20-EMC-C	H10BPR HOOD, DIAGONAL LOCKING, TOP ENTRY M20, POWDER COATED,GREY H10BPR对角锁定顶出上壳M20 灰色		-	-	M20	-	
T1920102116-009	H10BPR-TGH-PG16-EMC-C	H10BPR HOOD, DIAGONAL LOCKING, TOP ENTRY PG16, POWDER COATED,GREY H10BPR对角锁定顶出上壳PG16 灰色		-	-	PG16	-	
T1920101140-009	H10BPR-TGH-M40-EMC-C	H10BPR HOOD, DIAGONAL LOCKING, TOP ENTRY M40, POWDER COATED,SILVER WHITE H10BPR对角锁定顶出上壳M40 银白色		-	-	M40	-	
T1920101132-009	H10BPR-TGH-M32-EMC-C	H10BPR HOOD, DIAGONAL LOCKING, TOP ENTRY M32, POWDER COATED,SILVER WHITE H10BPR对角锁定顶出上壳M32 银白色		-	-	M32	-	
T1920101129-009	H10BPR-TGH-PG29-EMC-C	H10BPR HOOD, DIAGONAL LOCKING, TOP ENTRY PG29, POWDER COATED,SILVER WHITE H10BPR对角锁定顶出上壳PG29 银白色		-	-	PG29	-	TYPE 1 类型1
T1920101125-009	H10BPR-TGH-M25-EMC-C	H10BPR HOOD, DIAGONAL LOCKING, TOP ENTRY M25, POWDER COATED,SILVER WHITE H10BPR对角锁定顶出上壳M25 银白色		-	-	M25	-	
T1920101121-009	H10BPR-TGH-PG21-EMC-C	H10BPR HOOD, DIAGONAL LOCKING, TOP ENTRY PG21, POWDER COATED,SILVER WHITE H10BPR对角锁定顶出上壳PG21 银白色		-	-	PG21	-	
T1920101120-009	H10BPR-TGH-M20-EMC-C	H10BPR HOOD, DIAGONAL LOCKING, TOP ENTRY M20, POWDER COATED,SILVER WHITE H10BPR对角锁定顶出上壳M20 银白色		-	-	M20	-	
T1920101116-009	H10BPR-TGH-PG16-EMC-C	H10BPR HOOD, DIAGONAL LOCKING, TOP ENTRY PG16, POWDER COATED,SILVER WHITE H10BPR对角锁定顶出上壳PG16 银白色		-	-	PG16	-	
T1920100140-009	H10BPR-TGH-M40-EMC-C	H10BPR HOOD, DIAGONAL LOCKING, TOP ENTRY M40, POWDER COATED,BLACK H10BPR对角锁定顶出上壳M40 黑色		-	-	M40	-	
T1920100132-009	H10BPR-TGH-M32-EMC-C	H10BPR HOOD, DIAGONAL LOCKING, TOP ENTRY M32, POWDER COATED,BLACK H10BPR对角锁定顶出上壳M32 黑色		-	-	M32	-	
T1920100129-009	H10BPR-TGH-PG29-EMC-C	H10BPR HOOD, DIAGONAL LOCKING, TOP ENTRY PG29, POWDER COATED,BLACK H10BPR对角锁定顶出上壳PG29 黑色		-	-	PG29	-	
T1920100125-009	H10BPR-TGH-M25-EMC-C	H10BPR HOOD, DIAGONAL LOCKING, TOP ENTRY M25, POWDER COATED,BLACK H10BPR对角锁定顶出上壳M25 黑色		-	-	M25	-	
T1920100121-009	H10BPR-TGH-PG21-EMC-C	H10BPR HOOD, DIAGONAL LOCKING, TOP ENTRY PG21, POWDER COATED,BLACK H10BPR对角锁定顶出上壳PG21 黑色		-	-	PG21	-	
T1920100120-009	H10BPR-TGH-M20-EMC-C	H10BPR HOOD, DIAGONAL LOCKING, TOP ENTRY M20, POWDER COATED,BLACK H10BPR对角锁定顶出上壳M20 黑色		-	-	M20	-	
T1920100116-009	H10BPR-TGH-PG16-EMC-C	H10BPR HOOD, DIAGONAL LOCKING, TOP ENTRY PG16, POWDER COATED,BLACK H10BPR对角锁定顶出上壳PG16 黑色		-	-	PG16	-	

THIS DRAWING IS A CONTROLLED DOCUMENT.		OWN: DAVID WANG ZUSEP2016	
DIMENSIONS: mm		CHK: CHRIS WANG ZUSEP2016	
TOLERANCES UNLESS OTHERWISE SPECIFIED:		APVD: XIANG XU ZUSEP2016	
		NAME: H10BPR-TGH-PG/M-EMC-C	
MATERIAL: -		PRODUCT SPEC: 108-137191	RESTRICTED TO: -
FINISH: -		APPLICATION SPEC: 114-137191	SCALE: 1:1
WEIGHT: -		SIZE: A1	SHEET 2 OF 2
Customer Drawing		DRAWING NO: C-T192010XXXXX09	REV: B

X-ON Electronics

Largest Supplier of Electrical and Electronic Components

Click to view similar products for [Heavy Duty Power Connectors](#) category:

Click to view products by [TE Connectivity](#) manufacturer:

Other Similar products are found below :

[647757-1](#) [6643411-1](#) [6646058-2](#) [6646137-1](#) [6646138-1](#) [6646479-1](#) [6646608-1](#) [6646786-1](#) [6646940-1](#) [6651091-1](#) [6651525-1](#) [6651529-1](#)
[6651788-1](#) [696475-1](#) [702-32-01109](#) [703-25-02205](#) [73000005059](#) [73000005642](#) [73080255059](#) [73080965046](#) [765-15-0080A](#) [765-16-0080B](#)
[765-18-0080D](#) [829992-1](#) [902-77-02113](#) [PS00/A0620/6300](#) [PS25/A0420/63](#) [129-1J](#) [1409400](#) [AN0024023](#) [E6374G1](#) [e6389g2](#) [157-43GW8](#)
[MS3117-14AC](#) [1643543-1](#) [1650540-1](#) [1651811-2](#) [1766260-1](#) [1766282-1](#) [1766966-1](#) [1791340000](#) [NLDFT-3-BL-L-S120-M40A](#) [NLDFT-N-](#)
[W-L-C240-M40B](#) [NLS-2-R-C240-M40B](#) [NLS-N-W-C240-M40B](#) [NPS-3-BL-T6](#) [1986615-1](#) [2-1589900-8](#) [2199314-1](#) [KA8102](#)