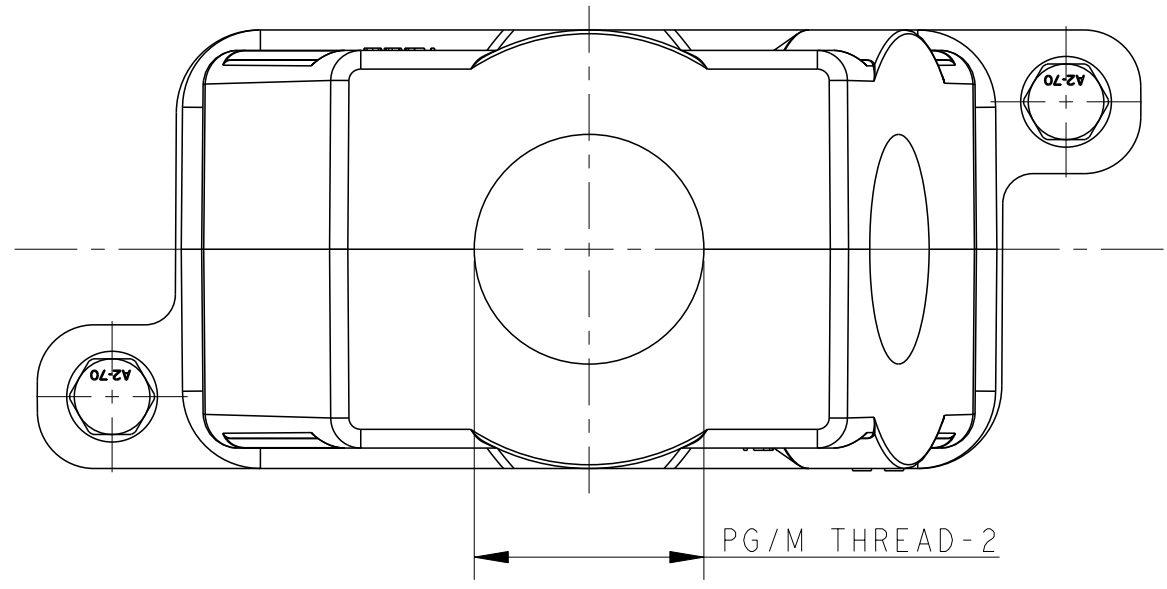


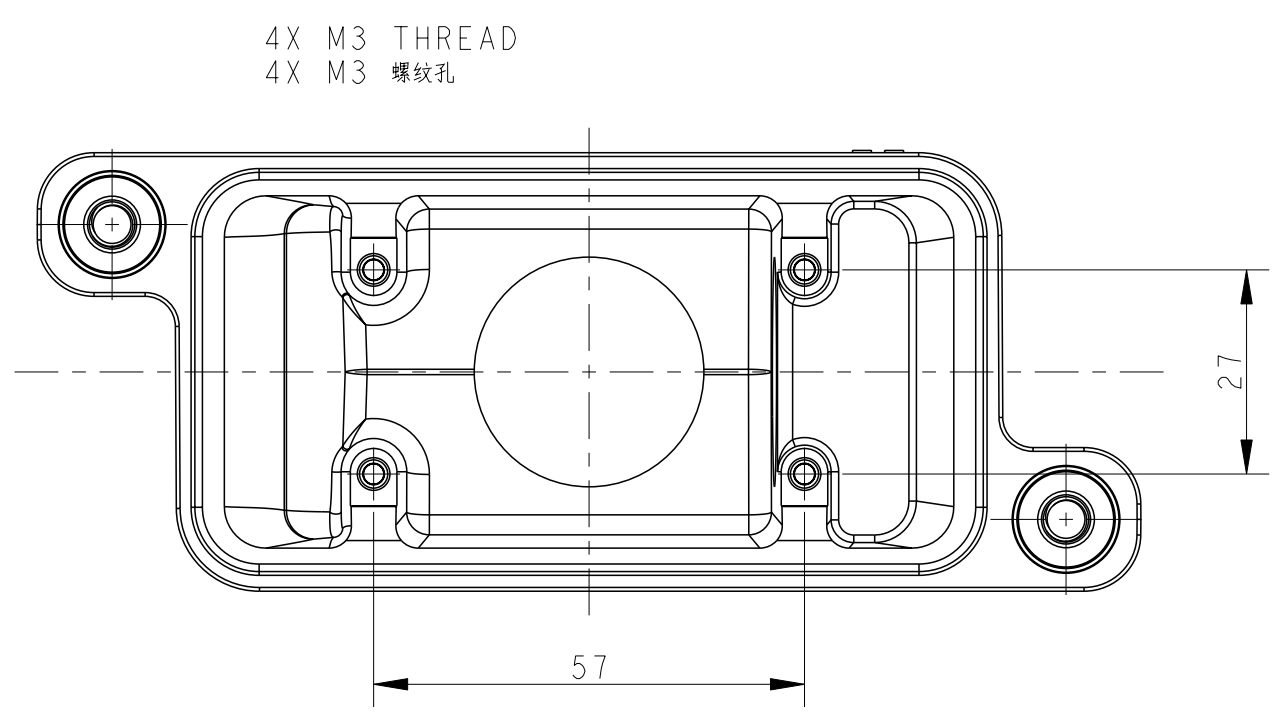
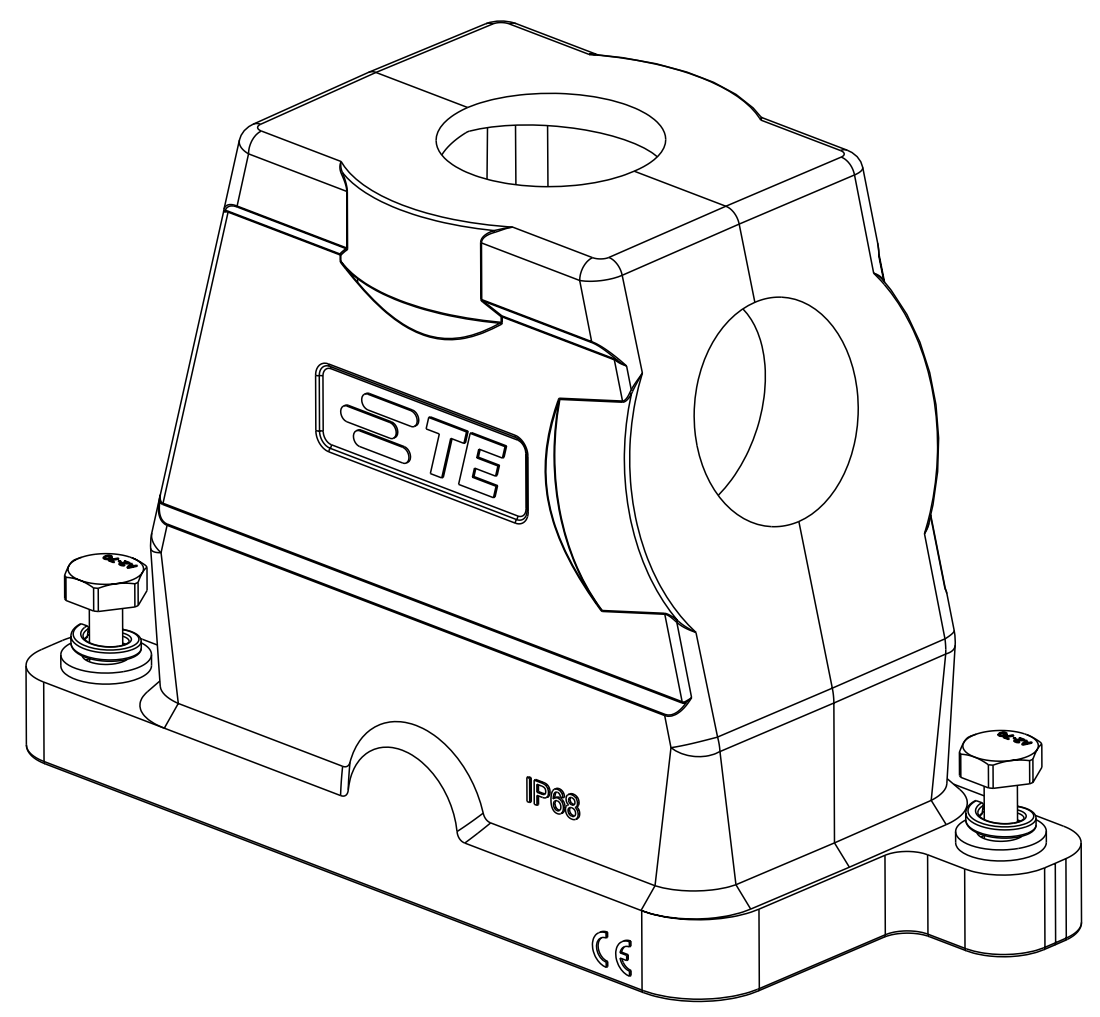
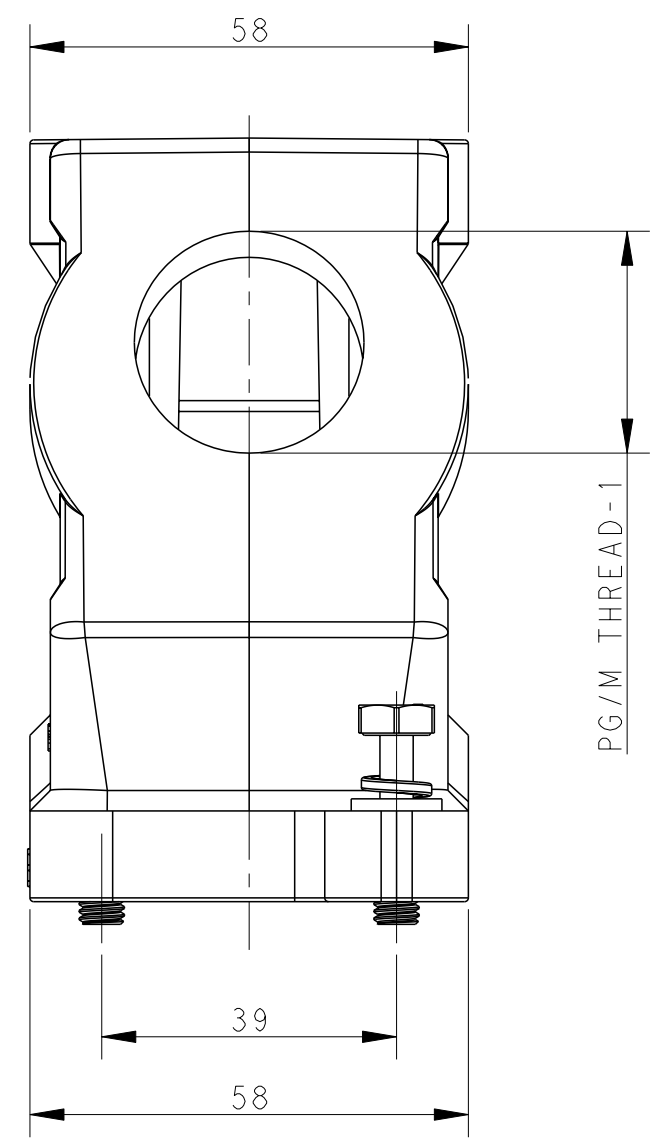
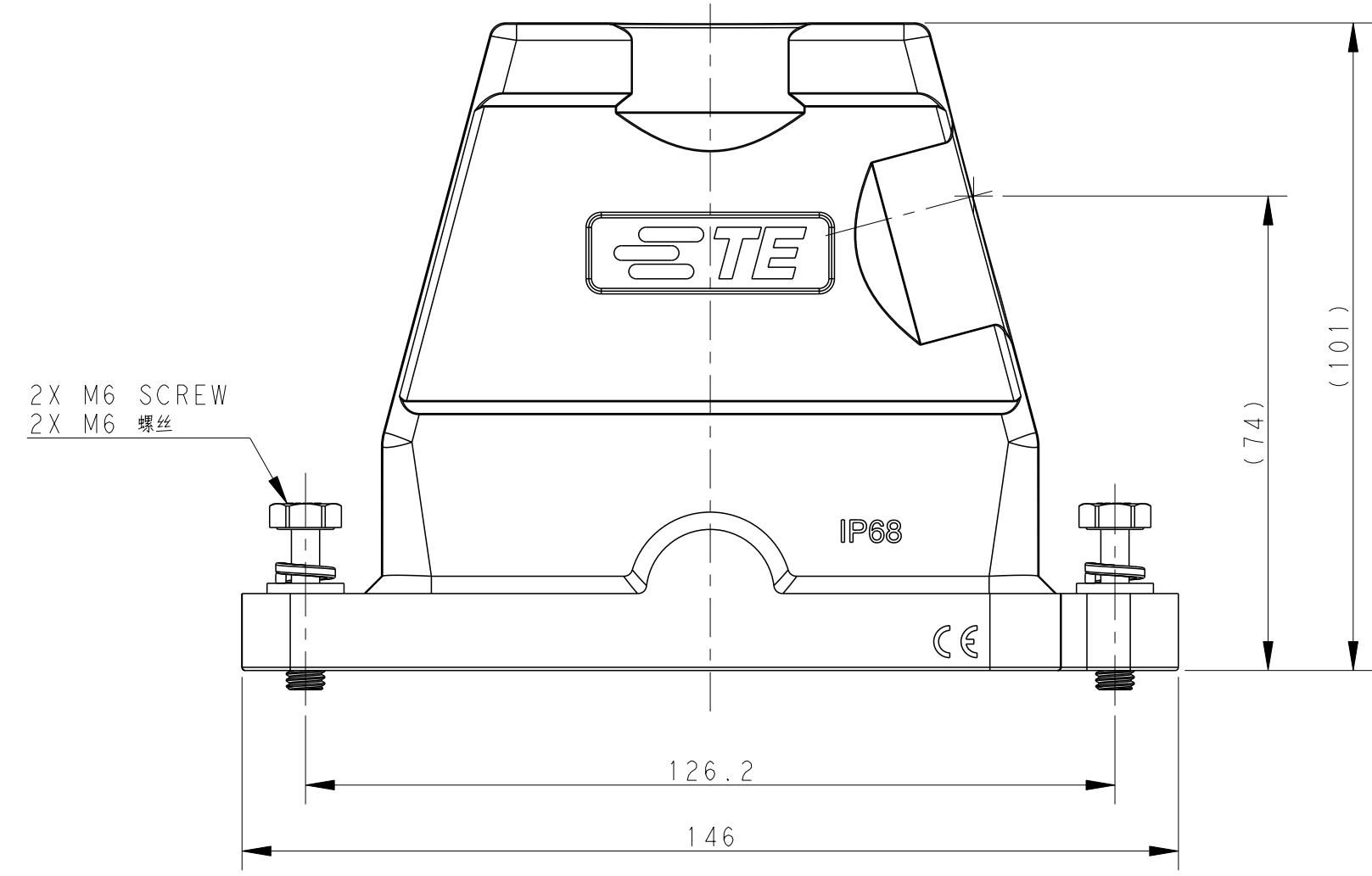
THIS DRAWING IS UNPUBLISHED. RELEASED FOR PUBLICATION 20
 © COPYRIGHT 20 BY - ALL RIGHTS RESERVED.

REVISIONS				
P	LTR	DESCRIPTION	DATE	APVD
A		INITIAL RELEASE	20SEP2016	DW CW
B		ECR-20-016312	03JUN2021	BS CW



NOTES:
 1. TECHNICAL CHARACTERISTICS:
 HOOD MATERIAL: DIE CAST ALUMINIUM ALLOY
 SURFACE: SEE TABLE
 DEGREE OF PROTECTION: IP68 (MATED)

注释:
 1. 技术参数:
 壳体材料: 铝合金
 表面处理: 见表格
 防护等级: IP68 (配合)



T1900102232-009	H10BPR-TS/GH-2M32-EMC-C	H10BPR HOOD,DIAGONAL LOCKING LOCKING,SIDE/TOP ENTRY 2M32 POWDER COATED, GREY H10BPR对角锁定侧顶出上壳2M32 灰色	M32	M32
T1900100232-009	H10BPR-TS/GH-2M32-EMC-C	H10BPR HOOD,DIAGONAL LOCKING LOCKING,SIDE/TOP ENTRY 2M32 POWDER COATED, BLACK H10BPR对角锁定侧顶出上壳2M32 黑色	M32	M32
PART NUMBER 料号	PART DESCRIPTION 描述		PG/M THREAD-2 PG/M 螺纹-2	PG/M THREAD-1 PG/M 螺纹-1

THIS DRAWING IS A CONTROLLED DOCUMENT.		DWN 20SEP2016 DAVID WANG	STE TE Connectivity	
DIMENSIONS: mm		CHK 20SEP2016 CHRIS WANG		
TOLERANCES UNLESS OTHERWISE SPECIFIED:		APVD 20SEP2016 XIANG XU	NAME H10BPR-TS/GH-PG/M-EMC-C	
0 PLC ±		PRODUCT SPEC	SIZE CAGE CODE DRAWING NO RESTRICTED TO	
1 PLC ±		108-137191	A2 - G-T190010XXXXX09 -	
2 PLC ±		APPLICATION SPEC	SCALE 1:1 SHEET 1 OF 1 REV B	
3 PLC ±		114-137191		
4 PLC ±		WEIGHT -		
ANGLES ±		Customer Drawing		
FINISH -				

Printed on 7 Jun 2021 15:21 (China Standard Time) from TE236667

X-ON Electronics

Largest Supplier of Electrical and Electronic Components

Click to view similar products for [Heavy Duty Power Connectors](#) category:

Click to view products by [TE Connectivity](#) manufacturer:

Other Similar products are found below :

[647757-1](#) [6643411-1](#) [6646058-2](#) [6646137-1](#) [6646138-1](#) [6646479-1](#) [6646608-1](#) [6646786-1](#) [6646940-1](#) [6651091-1](#) [6651525-1](#) [6651529-1](#)
[6651788-1](#) [696475-1](#) [702-32-01109](#) [703-25-02205](#) [73000005059](#) [73000005642](#) [73080255059](#) [73080965046](#) [765-15-0080A](#) [765-16-0080B](#)
[765-18-0080D](#) [829992-1](#) [902-77-02113](#) [PS00/A0620/6300](#) [PS25/A0420/63](#) [129-1J](#) [1409400](#) [AN0024023](#) [E6374G1](#) [e6389g2](#) [157-43GW8](#)
[MS3117-14AC](#) [1643543-1](#) [1650540-1](#) [1651811-2](#) [1766260-1](#) [1766282-1](#) [1766966-1](#) [1791340000](#) [NLDFT-3-BL-L-S120-M40A](#) [NLDFT-N-](#)
[W-L-C240-M40B](#) [NLS-2-R-C240-M40B](#) [NLS-N-W-C240-M40B](#) [NPS-3-BL-T6](#) [1986615-1](#) [2-1589900-8](#) [2199314-1](#) [KA8102](#)