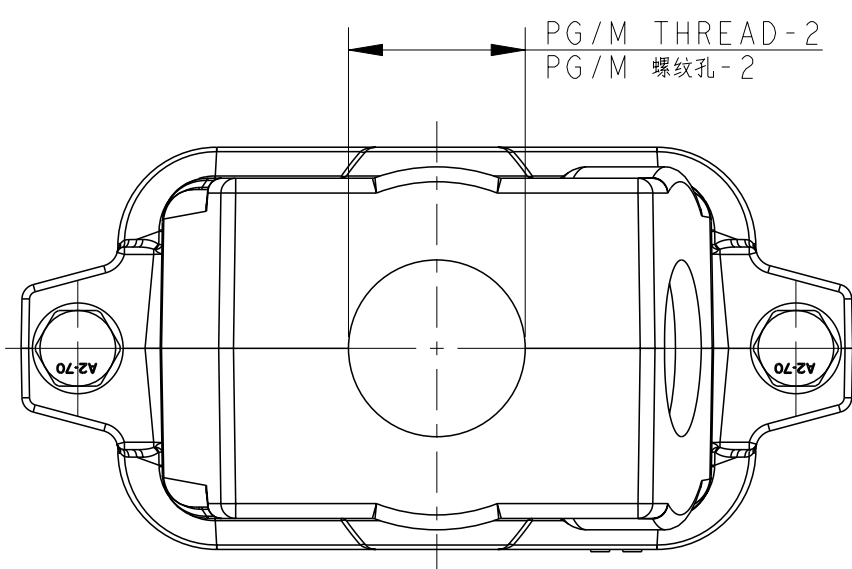


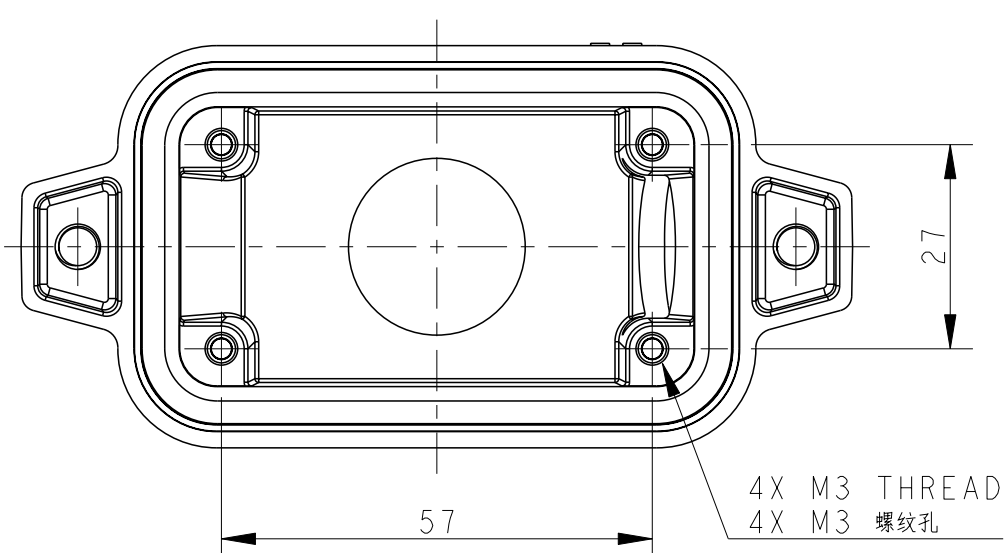
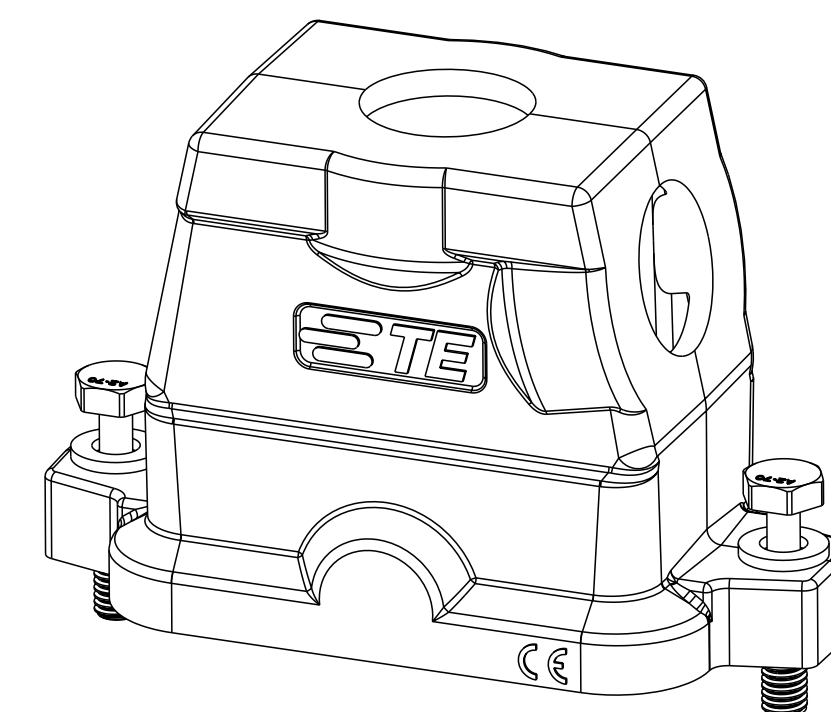
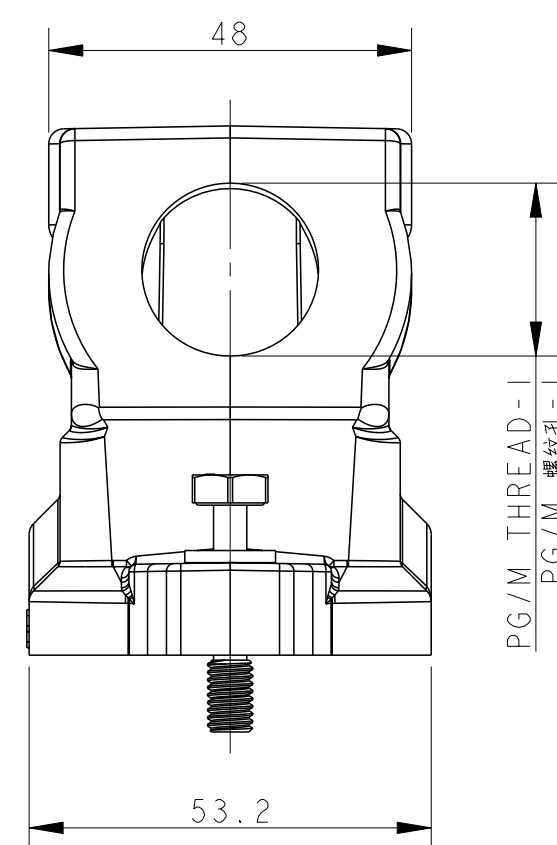
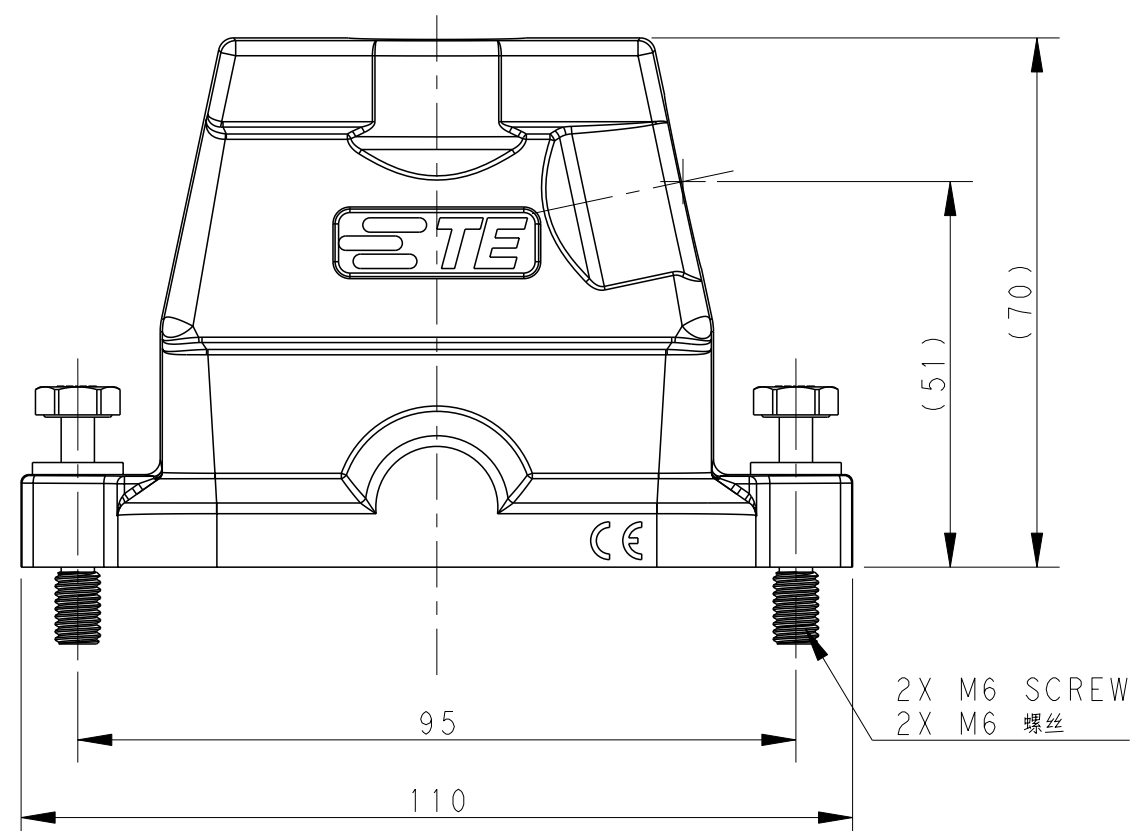
THIS DRAWING IS UNPUBLISHED. RELEASED FOR PUBLICATION 20
 © COPYRIGHT 20 BY - ALL RIGHTS RESERVED.

REVISIONS					
P	LTR	DESCRIPTION	DATE	DWN	APVD
A		INITIAL RELEASE	14OCT2016	DW	CW
B		ECR-20-016312	03JUN2021	BS	CW



NOTES:
 1. TECHNICAL CHARACTERISTICS:
 HOOD MATERIAL: DIE CAST ALUMINIUM ALLOY
 SURFACE: SEE TABLE
 DEGREE OF PROTECTION: IP68 (MATED)

注释
 1. 技术参数:
 壳体材料: 铝合金
 表面处理: 见表格
 防护等级: IP68 (配合)



THIS DRAWING IS A CONTROLLED DOCUMENT.		DWN 14OCT2016 DAVID WANG	STE TE Connectivity		
		CHK 14OCT2016 CHRIS WANG			
DIMENSIONS: mm		APVD 14OCT2016 XIANG XU	NAME H10BPR-TS/GHC-PG/M-EMC-C		
TOLERANCES UNLESS OTHERWISE SPECIFIED:		PRODUCT SPEC 108-137191	SIZE A2		
0 PLC ±-		APPLICATION SPEC 114-137191	CAGE CODE -		
1 PLC ±-		WEIGHT -	DRAWING NO G-T190210XXXX009		
2 PLC ±-		Customer Drawing	RESTRICTED TO -		
3 PLC ±-			SCALE 1:1		
4 PLC ±-			SHEET 1 OF 2		
ANGLES ±-			REV B		
FINISH -					

THIS DRAWING IS UNPUBLISHED. RELEASED FOR PUBLICATION 20
 © COPYRIGHT 20 BY - ALL RIGHTS RESERVED.

REVISIONS				
P	LTR	DESCRIPTION	DATE	APVD
-		SEE SHEET 1	-	-

NOTES:
SEE SHEET 1

T1902102232-009	H10BPR-TS/GHC-2M32-EMC-C	H10BPR HOOD,CENTER LOCKING, SIDE/TOP ENTRY 2M32, POWDER COATED, GREY H10BPR中部锁定侧顶出上壳2M32 灰色	M32	M32
T1902102229-009	H10BPR-TS/GHC-2PG29-EMC-C	H10BPR HOOD,CENTER LOCKING, SIDE/TOP ENTRY 2PG29, POWDER COATED, GREY H10BPR中部锁定侧顶出上壳2PG29 灰色	PG29	PG29
T1902102225-009	H10BPR-TS/GHC-2M25-EMC-C	H10BPR HOOD,CENTER LOCKING, SIDE/TOP ENTRY 2M25, POWDER COATED, GREY H10BPR中部锁定侧顶出上壳2M25 灰色	M25	M25
T1902101232-009	H10BPR-TS/GHC-2M32-EMC-C	H10BPR HOOD,CENTER LOCKING, SIDE/TOP ENTRY 2M32, POWDER COATED, SILVER WHITE H10BPR中部锁定侧顶出上壳2M32 银白色	M32	M32
T1902101229-009	H10BPR-TS/GHC-2PG29-EMC-C	H10BPR HOOD,CENTER LOCKING, SIDE/TOP ENTRY 2PG29, POWDER COATED, SILVER WHITE H10BPR中部锁定侧顶出上壳2PG29 银白色	PG29	PG29
T1902101225-009	H10BPR-TS/GHC-2M25-EMC-C	H10BPR HOOD,CENTER LOCKING, SIDE/TOP ENTRY 2M25, POWDER COATED, SILVER WHITE H10BPR中部锁定侧顶出上壳2M25 银白色	M25	M25
T1902100232-009	H10BPR-TS/GHC-2M32-EMC-C	H10BPR HOOD,CENTER LOCKING, SIDE/TOP ENTRY 2M32, POWDER COATED, BLACK H10BPR中部锁定侧顶出上壳2M32 黑色	M32	M32
T1902100229-009	H10BPR-TS/GHC-2PG29-EMC-C	H10BPR HOOD,CENTER LOCKING, SIDE/TOP ENTRY 2PG29, POWDER COATED, BLACK H10BPR中部锁定侧顶出上壳2PG29 黑色	PG29	PG29
T1902100225-009	H10BPR-TS/GHC-2M25-EMC-C	H10BPR HOOD,CENTER LOCKING, SIDE/TOP ENTRY 2M25, POWDER COATED, BLACK H10BPR中部锁定侧顶出上壳2M25 黑色	M25	M25
PART NUMBER 料号		DESCRIPTION 描述	PG/M THREAD-2 PG/M 螺纹-2	PG/M THREAD-1 PG/M 螺纹-1

THIS DRAWING IS A CONTROLLED DOCUMENT.

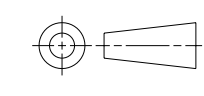
DWN	DAVID WANG	14OCT2016
CHK	CHRIS WANG	14OCT2016
APVD	XIANG XU	14OCT2016

PRODUCT SPEC: 108-137191
 APPLICATION SPEC: 114-137191

NAME: H10BPR-TS/GHC-PG/M-EMC-C

SIZE: A2 CAGE CODE: - DRAWING NO: C-T190210XXXX009 RESTRICTED TO: -

Customer Drawing SCALE: 1:1 SHEET: 2 OF 2 REV: B



DIMENSIONS:	TOLERANCES UNLESS OTHERWISE SPECIFIED:
mm	0 PLC ±-
	1 PLC ±
	2 PLC ±-
	3 PLC ±-
	4 PLC ±-
	ANGLES ±-
MATERIAL	FINISH
-	-
-	-

Printed on 7 Jun 2021 15:23 (China Standard Time) from IE236667

X-ON Electronics

Largest Supplier of Electrical and Electronic Components

Click to view similar products for [Heavy Duty Power Connectors](#) category:

Click to view products by [TE Connectivity](#) manufacturer:

Other Similar products are found below :

[647757-1](#) [6643411-1](#) [6646058-2](#) [6646137-1](#) [6646138-1](#) [6646479-1](#) [6646608-1](#) [6646786-1](#) [6646940-1](#) [6651091-1](#) [6651525-1](#) [6651529-1](#)
[6651788-1](#) [696475-1](#) [702-32-01109](#) [703-25-02205](#) [73000005059](#) [73000005642](#) [73080255059](#) [73080965046](#) [765-15-0080A](#) [765-16-0080B](#)
[765-18-0080D](#) [829992-1](#) [902-77-02113](#) [PS00/A0620/6300](#) [PS25/A0420/63](#) [129-1J](#) [1409400](#) [AN0024023](#) [E6374G1](#) [e6389g2](#) [157-43GW8](#)
[MS3117-14AC](#) [1643543-1](#) [1650540-1](#) [1651811-2](#) [1766260-1](#) [1766282-1](#) [1766966-1](#) [1791340000](#) [NLDFT-3-BL-L-S120-M40A](#) [NLDFT-N-](#)
[W-L-C240-M40B](#) [NLS-2-R-C240-M40B](#) [NLS-N-W-C240-M40B](#) [NPS-3-BL-T6](#) [1986615-1](#) [2-1589900-8](#) [2199314-1](#) [KA8102](#)