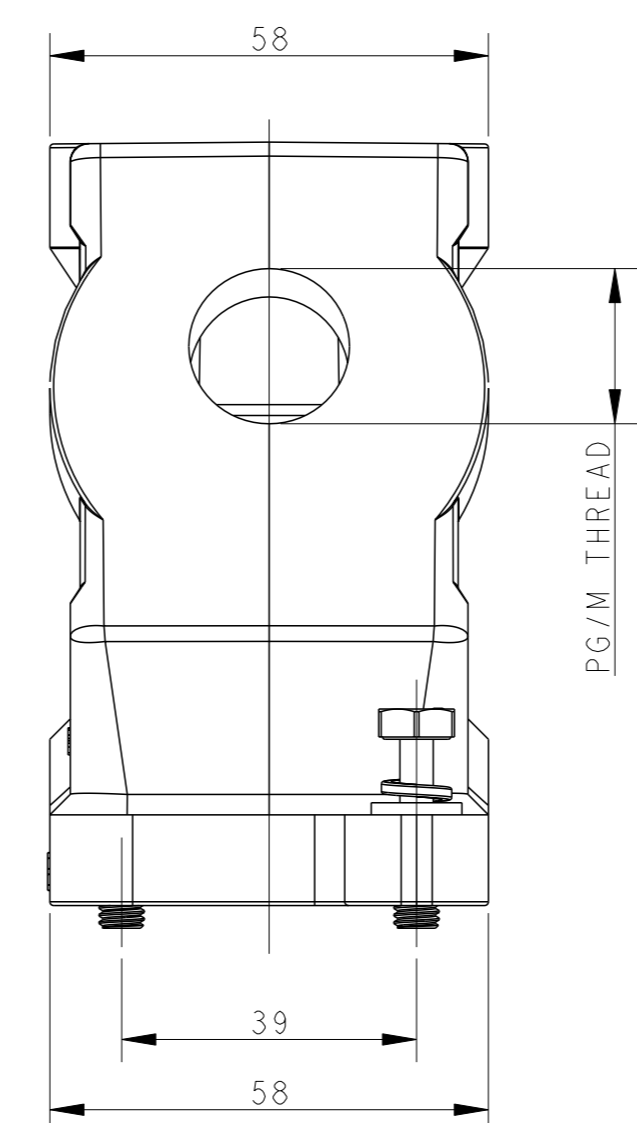
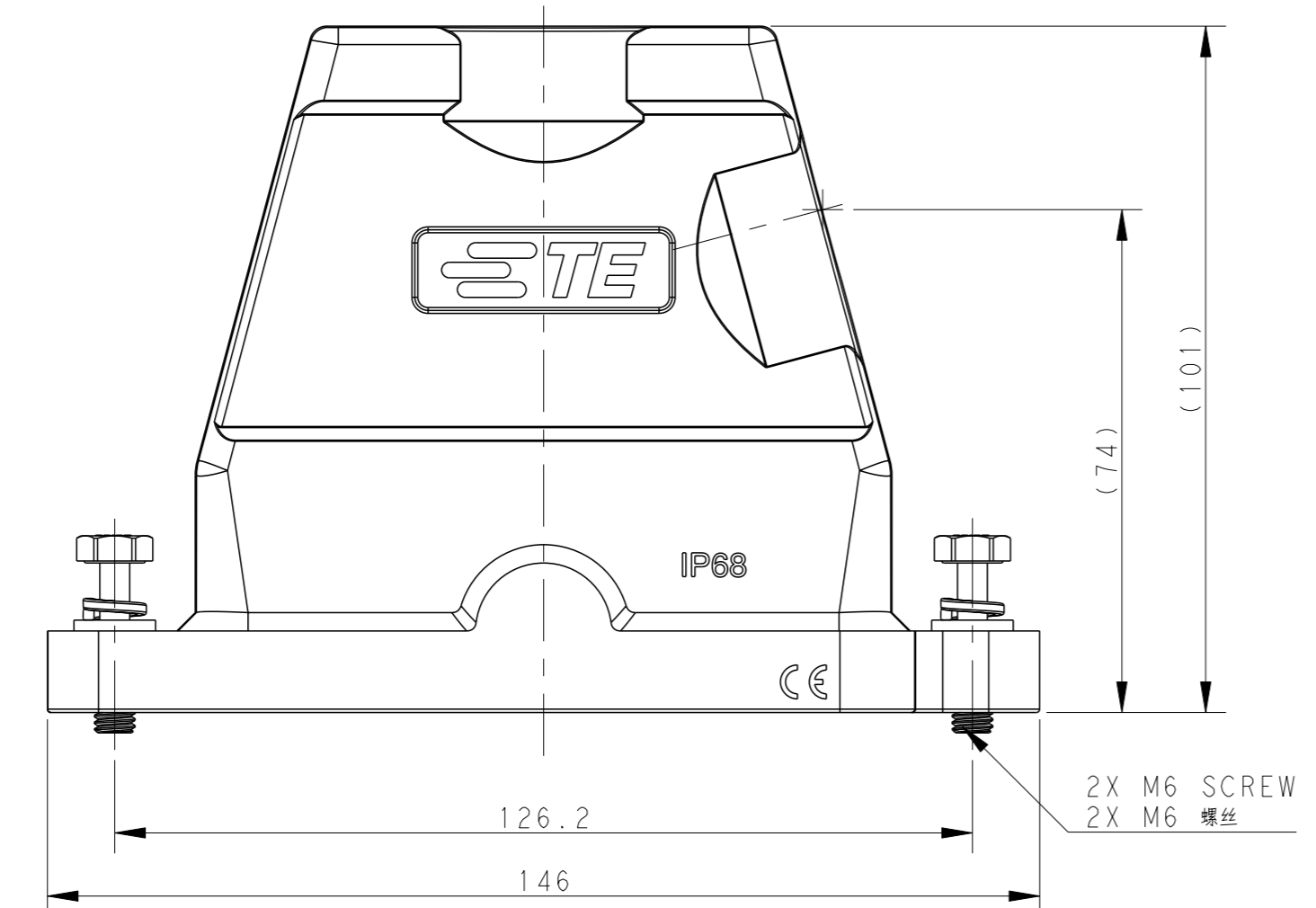
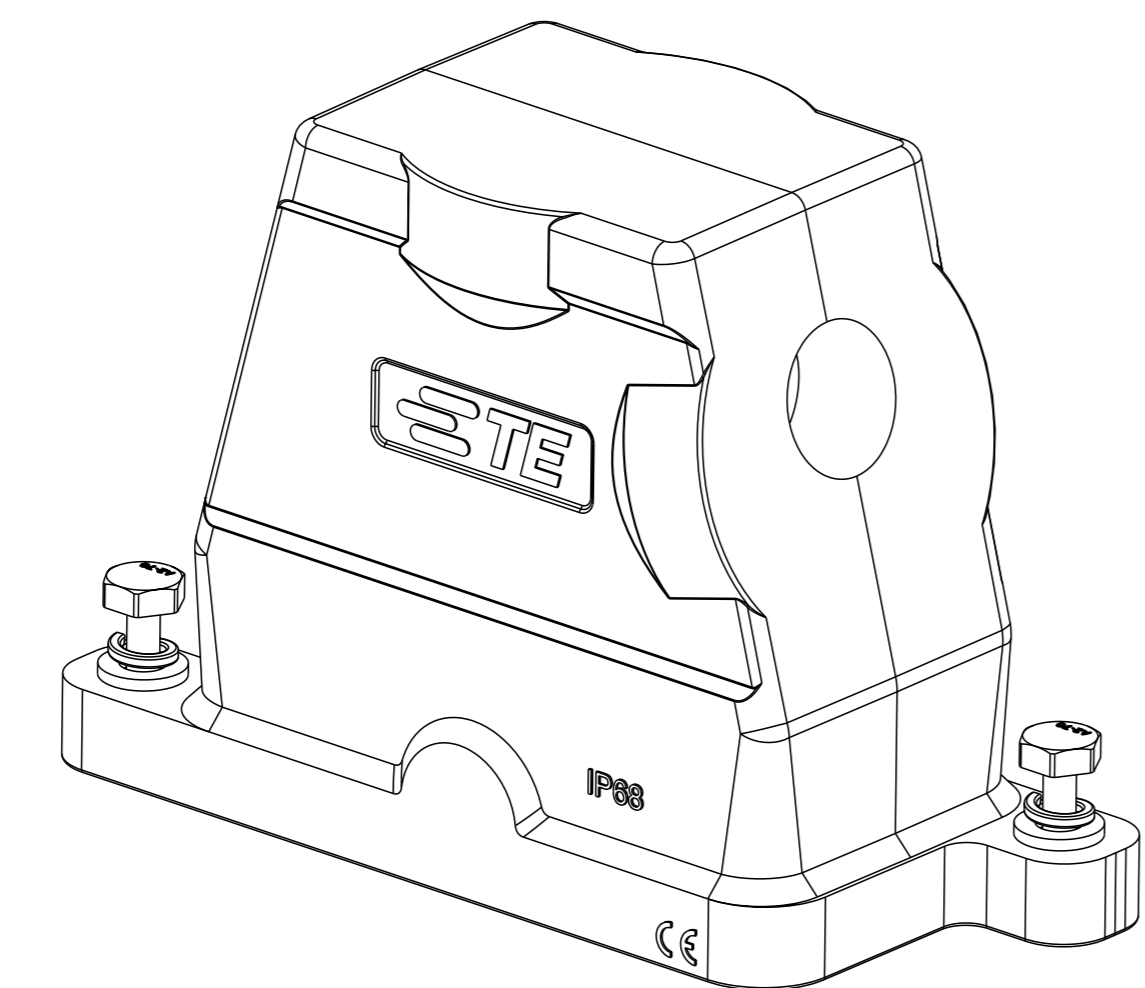
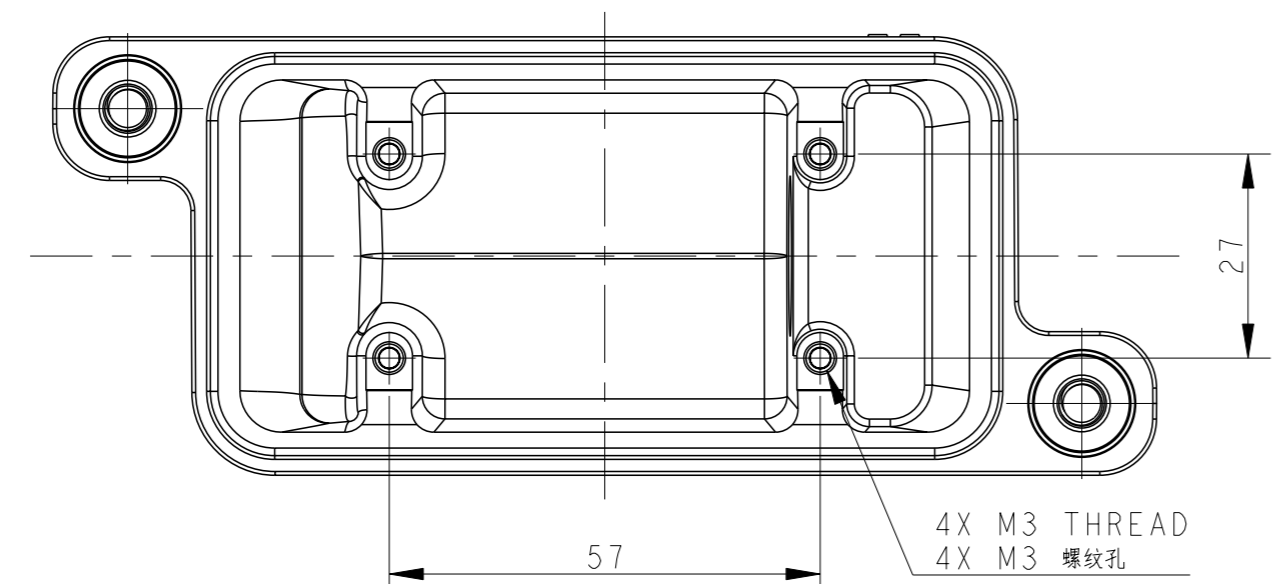


REVISIONS				
#	DATE	DESCRIPTION	DATE	APPV
A	20SEP2016	INITIAL RELEASE	DW	CW
B	03JUN2021	ECR-20-016312	BS	CW



NOTES:
 1. TECHNICAL CHARACTERISTICS:
 HOOD MATERIAL: DIE CAST ALUMINIUM ALLOY
 SURFACE: SEE TABLE
 DEGREE OF PROTECTION: IP68 (MATED)

注释
 1. 技术参数:
 壳体材料: 铝合金
 表面处理: 见表格
 防护等级: IP68 (配合)



PART NUMBER	料号	PART DESCRIPTION	描述	PG/M THREAD	PG/M 螺纹
T1910102140-009	HIOBPR-TSH-M40-EMC-C	HIOBPR HOOD, DIAGONAL LOCKING, SIDE ENTRY M40, POWDER COATED, GREY	HIOBPR 对角锁定侧出壳 M40 灰色	M40	
T1910102132-009	HIOBPR-TSH-M32-EMC-C	HIOBPR HOOD, DIAGONAL LOCKING, SIDE ENTRY M32, POWDER COATED, GREY	HIOBPR 对角锁定侧出壳 M32 灰色	M32	
T1910102129-009	HIOBPR-TSH-PG29-EMC-C	HIOBPR HOOD, DIAGONAL LOCKING, SIDE ENTRY PG29, POWDER COATED, GREY	HIOBPR 对角锁定侧出壳 PG29 灰色	PG29	
T1910102125-009	HIOBPR-TSH-M25-EMC-C	HIOBPR HOOD, DIAGONAL LOCKING, SIDE ENTRY M25, POWDER COATED, GREY	HIOBPR 对角锁定侧出壳 M25 灰色	M25	
T1910102121-009	HIOBPR-TSH-PG21-EMC-C	HIOBPR HOOD, DIAGONAL LOCKING, SIDE ENTRY PG21, POWDER COATED, GREY	HIOBPR 对角锁定侧出壳 PG21 灰色	PG21	
T1910102120-009	HIOBPR-TSH-M20-EMC-C	HIOBPR HOOD, DIAGONAL LOCKING, SIDE ENTRY M20, POWDER COATED, GREY	HIOBPR 对角锁定侧出壳 M20 灰色	M20	
T1910102116-009	HIOBPR-TSH-PG16-EMC-C	HIOBPR HOOD, DIAGONAL LOCKING, SIDE ENTRY PG16, POWDER COATED, GREY	HIOBPR 对角锁定侧出壳 PG16 灰色	PG16	
T1910101140-009	HIOBPR-TSH-M40-EMC-C	HIOBPR HOOD, DIAGONAL LOCKING, SIDE ENTRY M40, POWDER COATED, SILVER WHITE	HIOBPR 对角锁定侧出壳 M40 银白色	M40	
T1910101132-009	HIOBPR-TSH-M32-EMC-C	HIOBPR HOOD, DIAGONAL LOCKING, SIDE ENTRY M32, POWDER COATED, SILVER WHITE	HIOBPR 对角锁定侧出壳 M32 银白色	M32	
T1910101129-009	HIOBPR-TSH-PG29-EMC-C	HIOBPR HOOD, DIAGONAL LOCKING, SIDE ENTRY PG29, POWDER COATED, SILVER WHITE	HIOBPR 对角锁定侧出壳 PG29 银白色	PG29	
T1910101125-009	HIOBPR-TSH-M25-EMC-C	HIOBPR HOOD, DIAGONAL LOCKING, SIDE ENTRY M25, POWDER COATED, SILVER WHITE	HIOBPR 对角锁定侧出壳 M25 银白色	M25	
T1910101121-009	HIOBPR-TSH-PG21-EMC-C	HIOBPR HOOD, DIAGONAL LOCKING, SIDE ENTRY PG21, POWDER COATED, SILVER WHITE	HIOBPR 对角锁定侧出壳 PG21 银白色	PG21	
T1910101120-009	HIOBPR-TSH-M20-EMC-C	HIOBPR HOOD, DIAGONAL LOCKING, SIDE ENTRY M20, POWDER COATED, SILVER WHITE	HIOBPR 对角锁定侧出壳 M20 银白色	M20	
T1910101116-009	HIOBPR-TSH-PG16-EMC-C	HIOBPR HOOD, DIAGONAL LOCKING, SIDE ENTRY PG16, POWDER COATED, SILVER WHITE	HIOBPR 对角锁定侧出壳 PG16 银白色	PG16	
T1910100140-009	HIOBPR-TSH-M40-EMC-C	HIOBPR HOOD, DIAGONAL LOCKING, SIDE ENTRY M40, POWDER COATED, BLACK	HIOBPR 对角锁定侧出壳 M40 黑色	M40	
T1910100132-009	HIOBPR-TSH-M32-EMC-C	HIOBPR HOOD, DIAGONAL LOCKING, SIDE ENTRY M32, POWDER COATED, BLACK	HIOBPR 对角锁定侧出壳 M32 黑色	M32	
T1910100129-009	HIOBPR-TSH-PG29-EMC-C	HIOBPR HOOD, DIAGONAL LOCKING, SIDE ENTRY PG29, POWDER COATED, BLACK	HIOBPR 对角锁定侧出壳 PG29 黑色	PG29	
T1910100125-009	HIOBPR-TSH-M25-EMC-C	HIOBPR HOOD, DIAGONAL LOCKING, SIDE ENTRY M25, POWDER COATED, BLACK	HIOBPR 对角锁定侧出壳 M25 黑色	M25	
T1910100121-009	HIOBPR-TSH-PG21-EMC-C	HIOBPR HOOD, DIAGONAL LOCKING, SIDE ENTRY PG21, POWDER COATED, BLACK	HIOBPR 对角锁定侧出壳 PG21 黑色	PG21	
T1910100120-009	HIOBPR-TSH-M20-EMC-C	HIOBPR HOOD, DIAGONAL LOCKING, SIDE ENTRY M20, POWDER COATED, BLACK	HIOBPR 对角锁定侧出壳 M20 黑色	M20	
T1910100116-009	HIOBPR-TSH-PG16-EMC-C	HIOBPR HOOD, DIAGONAL LOCKING, SIDE ENTRY PG16, POWDER COATED, BLACK	HIOBPR 对角锁定侧出壳 PG16 黑色	PG16	

THIS DRAWING IS A CONTROLLED DOCUMENT. TOLERANCES UNLESS OTHERWISE SPECIFIED:

DIMENSIONS:	mm	0 PLC ±	1 PLC ±	2 PLC ±	3 PLC ±	4 PLC ±	ANGLES FINISH ±
-------------	----	---------	---------	---------	---------	---------	-----------------

MATERIAL: - FINISH: - WEIGHT: -

DAVID WANG 20SEP2016
 CHRIS WANG 20SEP2016
 XIANG XU 20SEP2016

STE TE Connectivity
 HIOBPR-TSH-PG/M-EMC-C

SIZE: A1 CAGE CODE: - DRAWING NO: T191010XXXXX09 RESTRICTED TO: -
 SCALE: 1:1 SHEET: 1 OF 1 REV: B

Printed on 7 Jun 2021 15:26 (China Standard Time) from T191010XXXXX09

X-ON Electronics

Largest Supplier of Electrical and Electronic Components

Click to view similar products for [Heavy Duty Power Connectors](#) category:

Click to view products by [TE Connectivity](#) manufacturer:

Other Similar products are found below :

[647757-1](#) [6643411-1](#) [6646058-2](#) [6646137-1](#) [6646138-1](#) [6646479-1](#) [6646608-1](#) [6646786-1](#) [6646940-1](#) [6651091-1](#) [6651525-1](#) [6651529-1](#)
[6651788-1](#) [696475-1](#) [702-32-01109](#) [703-25-02205](#) [73000005059](#) [73000005642](#) [73080255059](#) [73080965046](#) [765-15-0080A](#) [765-16-0080B](#)
[765-18-0080D](#) [829992-1](#) [902-77-02113](#) [PS00/A0620/6300](#) [PS25/A0420/63](#) [129-1J](#) [1409400](#) [AN0024023](#) [E6374G1](#) [e6389g2](#) [157-43GW8](#)
[MS3117-14AC](#) [1643543-1](#) [1650540-1](#) [1651811-2](#) [1766260-1](#) [1766282-1](#) [1766966-1](#) [1791340000](#) [NLDFT-3-BL-L-S120-M40A](#) [NLDFT-N-](#)
[W-L-C240-M40B](#) [NLS-2-R-C240-M40B](#) [NLS-N-W-C240-M40B](#) [NPS-3-BL-T6](#) [1986615-1](#) [2-1589900-8](#) [2199314-1](#) [KA8102](#)