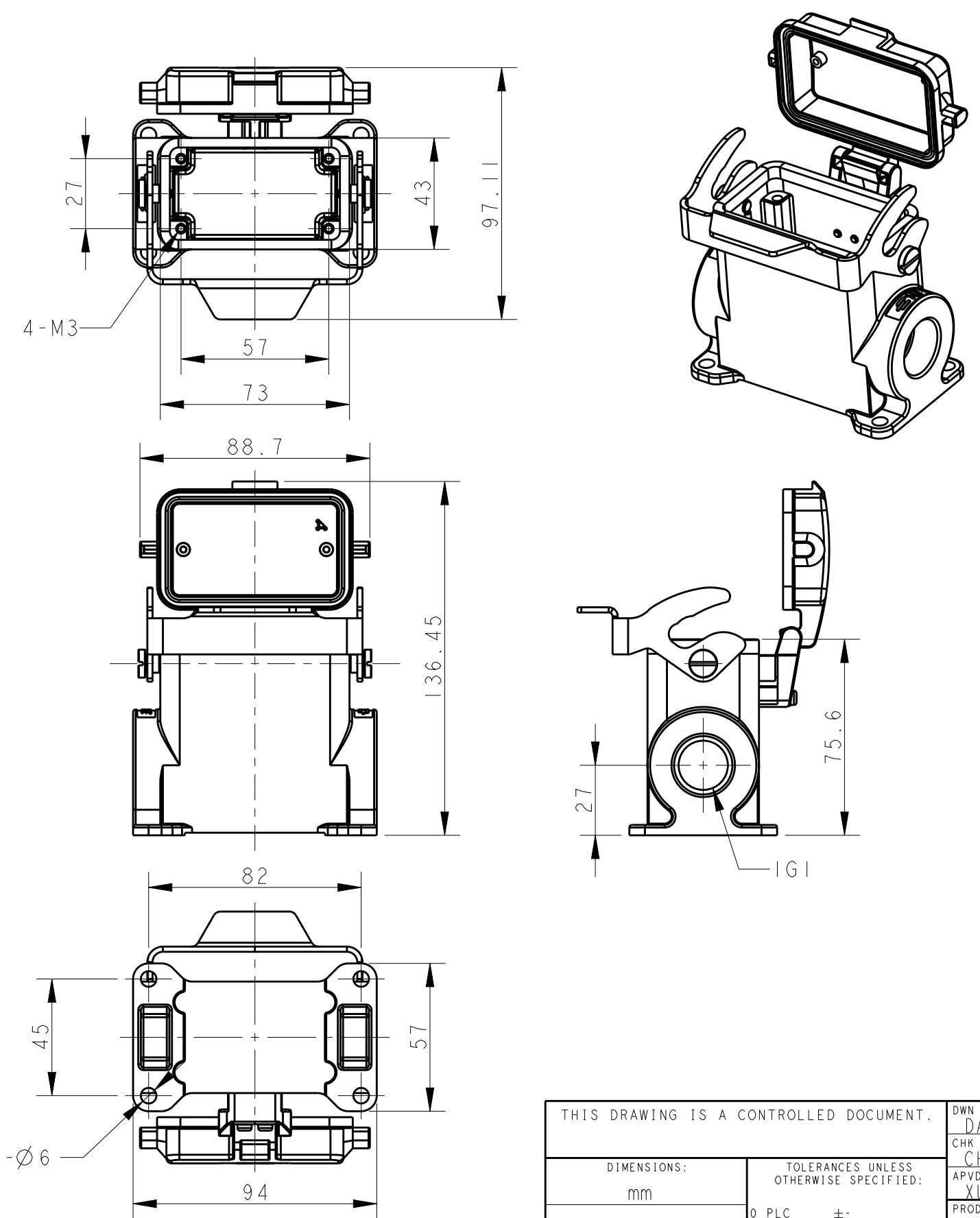


THIS DRAWING IS UNPUBLISHED. RELEASED FOR PUBLICATION 20
 © COPYRIGHT 20 BY - ALL RIGHTS RESERVED.

REVISIONS					
P	LTR	DESCRIPTION	DATE	DWN	APVD
	A	INITIAL RELEASE	25JUN2015	DL	CW



NOTES:
 1. TECHNICAL CHARACTERISTICS:
 BODY MATERIAL: DIE CAST ALUMINIUM ALLOY
 SURFACE TREATMENT: POWDER-COATED, GRAY
 OPERATION TEMPERATURE: -40-+125°C
 DEGREE OF PROTECTION: IP65 (MATED)

注释:
 1. 技术参数:
 主体材料: 铝合金
 表面处理: 粉末喷涂, 灰色
 工作温度: -40-+125°C
 防护等级: IP65(配合)

T1660103121-000	TYPE I	H10B-SDRH-LB-PG21	PG21	-
T1660103125-000		H10B-SDRH-LB-M25	M25	-
T1660103129-000		H10B-SDRH-LB-PG29	PG29	-
T1660103132-000		H10B-SDRH-LB-M32	M32	-
T1660103221-000		H10B-SDRH-LB-2PG21	PG21	PG21
T1660103225-000		H10B-SDRH-LB-2M25	M25	M25
T1660103229-000		H10B-SDRH-LB-2PG29	PG29	PG29
T1660103232-000		H10B-SDRH-LB-2M32	M32	M32
ASSEMBLY PART NUMBER	TYPE	ASSEMBLY PART DESCRIPTION	IG1	IG2

TYPE I: HIGH BODY + STEEL LOCKING + PLASTIC PROTECTION COVER

THIS DRAWING IS A CONTROLLED DOCUMENT.		DWN	DAVID LI	25JUN2015			
DIMENSIONS: mm		CHK	CHRIS WANG	25JUN2015			
TOLERANCES UNLESS OTHERWISE SPECIFIED:		APVD	XU XIANG	25JUN2015			
0 PLC ±- 1 PLC ±- 2 PLC ±- 3 PLC ±- 4 PLC ±- ANGLES ±-		PRODUCT SPEC	108-137013				
MATERIAL TBD		FINISH	-		NAME	H10B-SDRH-LB-PG/M	
-		FINISH	-		APPLICATION SPEC	114-137013	
-		FINISH	-		WEIGHT	-	
-		FINISH	-		CUSTOMER DRAWING	SCALE	1:2
-		FINISH	-		SIZE	A3	RESTRICTED TO
-		FINISH	-		CAGE CODE	-	DRAWING NO
-		FINISH	-		DRAWING NO	C-T166010XXXX000	
-		FINISH	-		REVISION	REV A	
-		FINISH	-		SHEET	1 OF 2	

THIS DRAWING IS UNPUBLISHED.

RELEASED FOR PUBLICATION

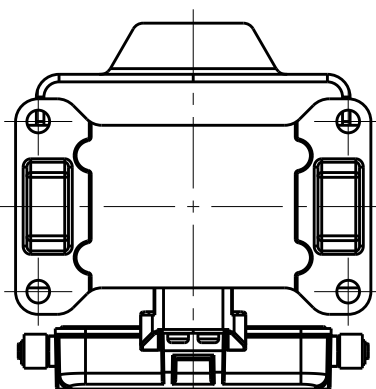
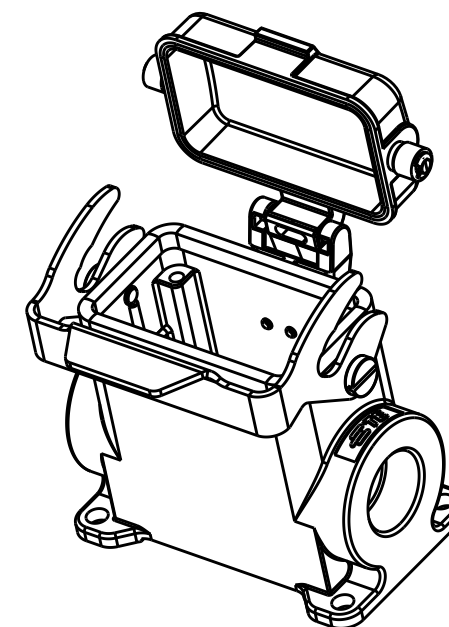
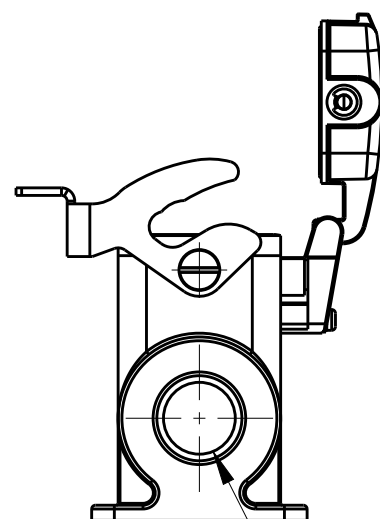
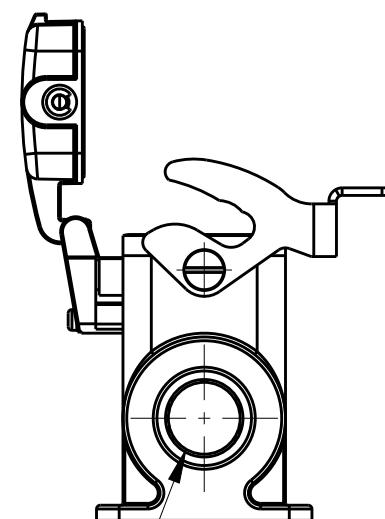
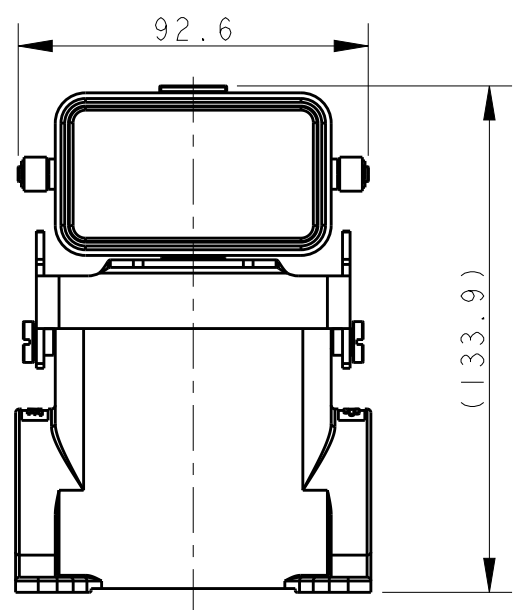
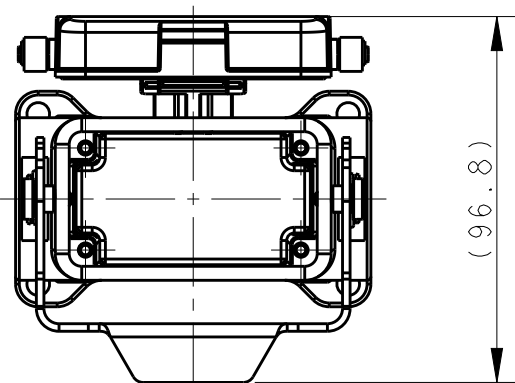
20

© COPYRIGHT 20 BY -

ALL RIGHTS RESERVED.

REVISIONS

P	LTR	DESCRIPTION	DATE	DWN	APVD
-	-	SEE SHEET 1	-	-	-

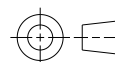


TI660103321-000	TYPE 2	H10B-SDRHM-LB-PG21	PG21	-
TI660103329-000		H10B-SDRHM-LB-PG29	PG29	-
TI660103332-000		H10B-SDRHM-LB-M32	M32	-
TI660103421-000		H10B-SDRHM-LB-2PG21	PG21	PG21
TI660103429-000		H10B-SDRHM-LB-2PG29	PG29	PG29
TI660103432-000		H10B-SDRHM-LB-2M32	M32	M32
ASSEMBLY PART NUMBER	TYPE	ASSEMBLY PART DESCRIPTION	IG1	IG2

TYPE 2: HIGH BODY + STEEL LOCKING + METAL PROTECTION COVER
 OTHER SPEC REFER TO TYPE 1

THIS DRAWING IS A CONTROLLED DOCUMENT.

DIMENSIONS:
mm



TOLERANCES UNLESS OTHERWISE SPECIFIED:

- 0 PLC ±-
- 1 PLC ±-
- 2 PLC ±-
- 3 PLC ±-
- 4 PLC ±-
- ANGLES ±-
- FINISH -

MATERIAL
TBD

DWN 25JUN2015

DAVID LI

CHK 25JUN2015

CHRIS WANG

APVD 25JUN2015

XU XIANG

PRODUCT SPEC

108-137013

APPLICATION SPEC

114-137013

WEIGHT -

CUSTOMER DRAWING



TE Connectivity

NAME
H10B-SDRHM-LB-PG/M

SIZE	CAGE CODE	DRAWING NO	RESTRICTED TO
A3	-	©-TI66010XXXX000	-

SCALE	1:2	SHEET	2 OF 2	REV	A
-------	-----	-------	--------	-----	---

X-ON Electronics

Largest Supplier of Electrical and Electronic Components

Click to view similar products for te connectivity manufacturer:

Other Similar products are found below :

[570416-000](#) [CLTEQ-M81CE-SSRELAY-4-20V](#) [4-1633138-8](#) [1-2217206-1](#) [D38999/24FJ4AN](#) [358838-000](#) [4-1195131-0](#) [650069-000](#)
[SMD100-2](#) [CB-1022B-78](#) [RM707012](#) [RP410012](#) [MMS42](#) [1-640426-8](#) [2EDL4CM](#) [DTS20W19-11PD-3028](#) [DTS20W19-11PD-3028-LC](#)
[DTS20W19-32SD-3028-LC](#) [DTS20W19-32SD-3028](#) [RM202615](#) [NC6-P104-06](#) [TXR64AB90-3616AI](#) [MSPS103B](#) [DTS26F21-41HE](#)
[DTS26F21-41AE](#) [DTS26F21-41PE-LC](#) [DTS26F21-11SE-3028-LC](#) [1932144-1](#) [293545-4](#) [LVR125S](#) [MS27466T25F4PB](#) [CKB-38-78010](#)
[1206SFF150F/63-2](#) [5-2027513-8](#) [D38999/20JB35HA](#) [D38999/24WJ20PA](#) [1754138-1](#) [TE1500A2R2J](#) [DTS24F25-29PC-3028-LC](#) [164-8033-](#)
[08](#) [D38999/24WG11HA](#) [D38999/24WG11HN](#) [MS27467T21F11H](#) [DJT16E21-11HA](#) [1206SFH150F/24-2](#) [1-532955-3](#) [DTS20W19-32SA-](#)
[3028-LC](#) [DTS24F19-11SC-3028-LC](#) [DTS24F19-11SC-3028](#) [D38999/20WC8BB](#)