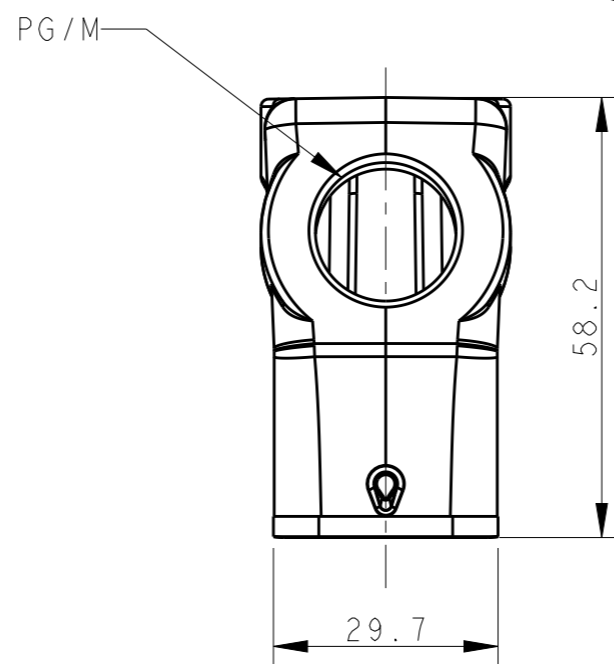
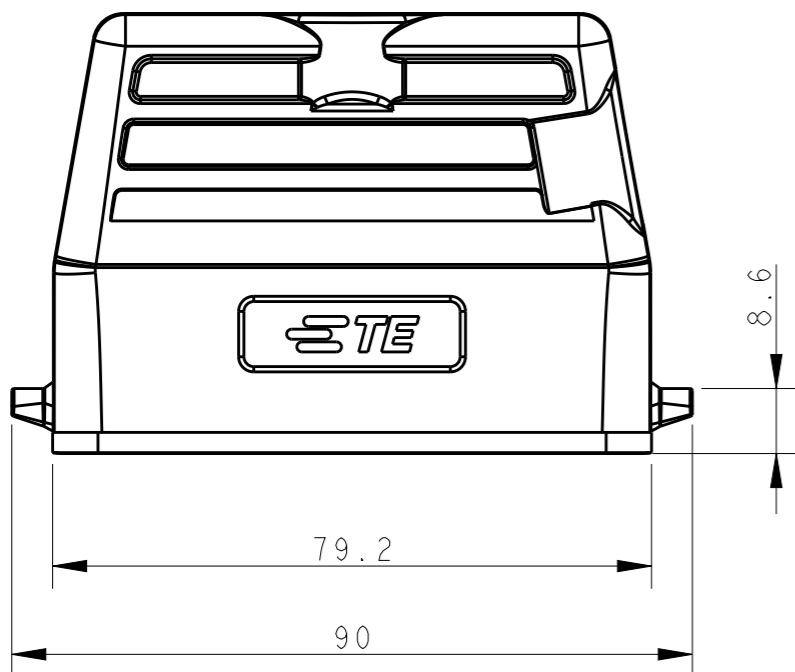
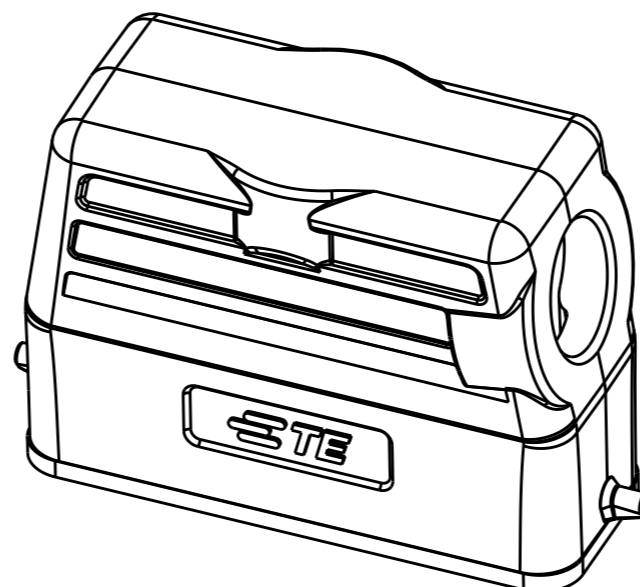
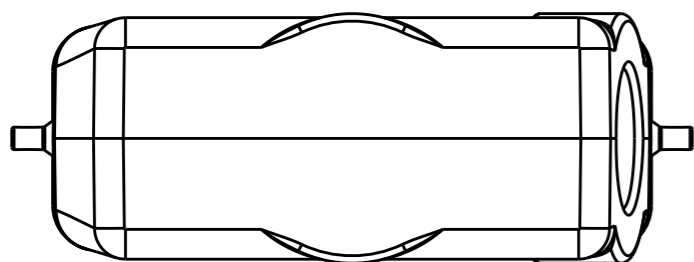


THIS DRAWING IS UNPUBLISHED. RELEASED FOR PUBLICATION 20
 © COPYRIGHT 20 BY - ALL RIGHTS RESERVED.

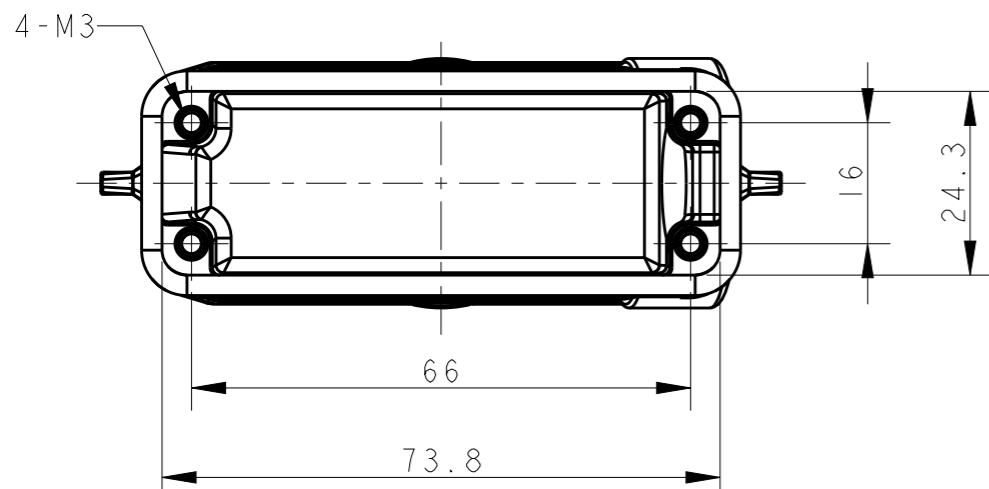
REVISIONS

P	LTR	DESCRIPTION	DATE	DWN	APVD
	A	INITIAL RELEASE	07MAY2015	DL	CW




NOTES:
 1. TECHNICAL CHARACTERISTICS:
 BODY MATERIAL: DIE CAST ALUMINIUM ALLOY
 SURFACE TREATMENT: POWDER-COATED, GRAY
 OPERATION TEMPERATURE: -40-+125°C
 DEGREE OF PROTECTION: IP65 (MATED)

注释:
 1. 技术参数:
 主体材料: 铝合金
 表面处理: 粉末喷涂, 灰色
 工作温度: -40-+125°C
 防护等级: IP65(配合)



T1319160111-000	H16A-TS-PG11	PG11
T1319160116-000	H16A-TS-PG16	PG16
T1319160120-000	H16A-TS-M20	M20
T1319160121-000	H16A-TS-PG21	PG21
T1319160125-000	H16A-TS-M25	M25
ASSEMBLY PART NUMBER	ASSEMBLY PART DESCRIPTION	PG/M

THIS DRAWING IS A CONTROLLED DOCUMENT.		DWN DAVID LI 07MAY2015	 TE Connectivity NAME H16A-TS-PG/M			
DIMENSIONS: mm		CHK CHRIS WANG 07MAY2015				
TOLERANCES UNLESS OTHERWISE SPECIFIED:		APVD XU XIANG 07MAY2015				
0 PLC ±- 1 PLC ±- 2 PLC ±- 3 PLC ±- 4 PLC ±- ANGLES ±-		PRODUCT SPEC 108-137010				
MATERIAL	FINISH	APPLICATION SPEC 114-137010	SIZE A3	CAGE CODE -	DRAWING NO C-T13191601XX000	RESTRICTED TO -
CUSTOMER DRAWING			SCALE 1:1	SHEET 1	OF 1	REV A

X-ON Electronics

Largest Supplier of Electrical and Electronic Components

Click to view similar products for [Headers & Wire Housings](#) category:

Click to view products by [TE Connectivity](#) manufacturer:

Other Similar products are found below :

[95000-104TRLF](#) [10135584-644402LF](#) [DF62W-EP2022PCA](#) [95000-106TRLF](#) [DF62W-2022SCA](#) [48050-002LF](#) [DF62W-EP2022PC](#) [2203348](#)
[DF62W-2022SC](#) [1084018](#) [1029039](#) [1084017](#) [802-10-012-10-002000](#) [1112640](#) [1112639](#) [891-007-9SS-BST1T](#) [000-34000](#) [0008550134](#)
[0009482033](#) [0009507031](#) [0009524054](#) [57102-F02-18ULF](#) [57102-S06-03LF](#) [57202-S52-04LF](#) [PCN6-15S-2.5E](#) [0039019024](#) [58102-G61-](#)
[06LF](#) [582553-1](#) [0009485154](#) [0009508121](#) [0022285053](#) [0050291907](#) [018731A](#) [LY20-4P-DT1-P1E-BR](#) [02.125.8002.8](#) [60101931](#) [60598-1](#)
[\(Cut Strip\)](#) [M1625-3R/100](#) [61062-3](#) [61082-181009](#) [632209-000](#) [636-1427](#) [638009-1](#) [641938-9](#) [641991-4](#) [644168-1](#) [644827-2](#) [647662-1](#)
[65039-019ELF](#) [65692-001LF](#)