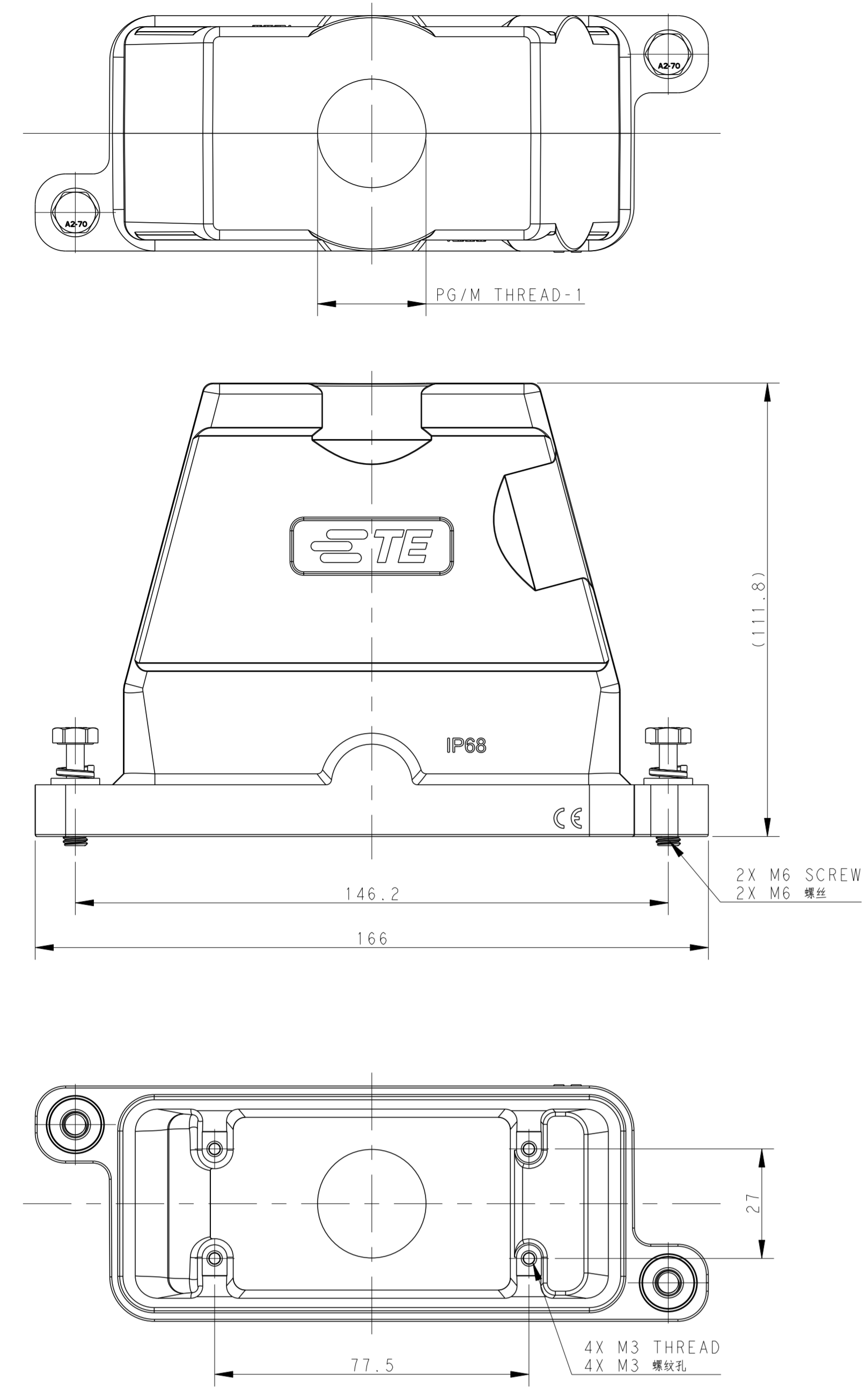
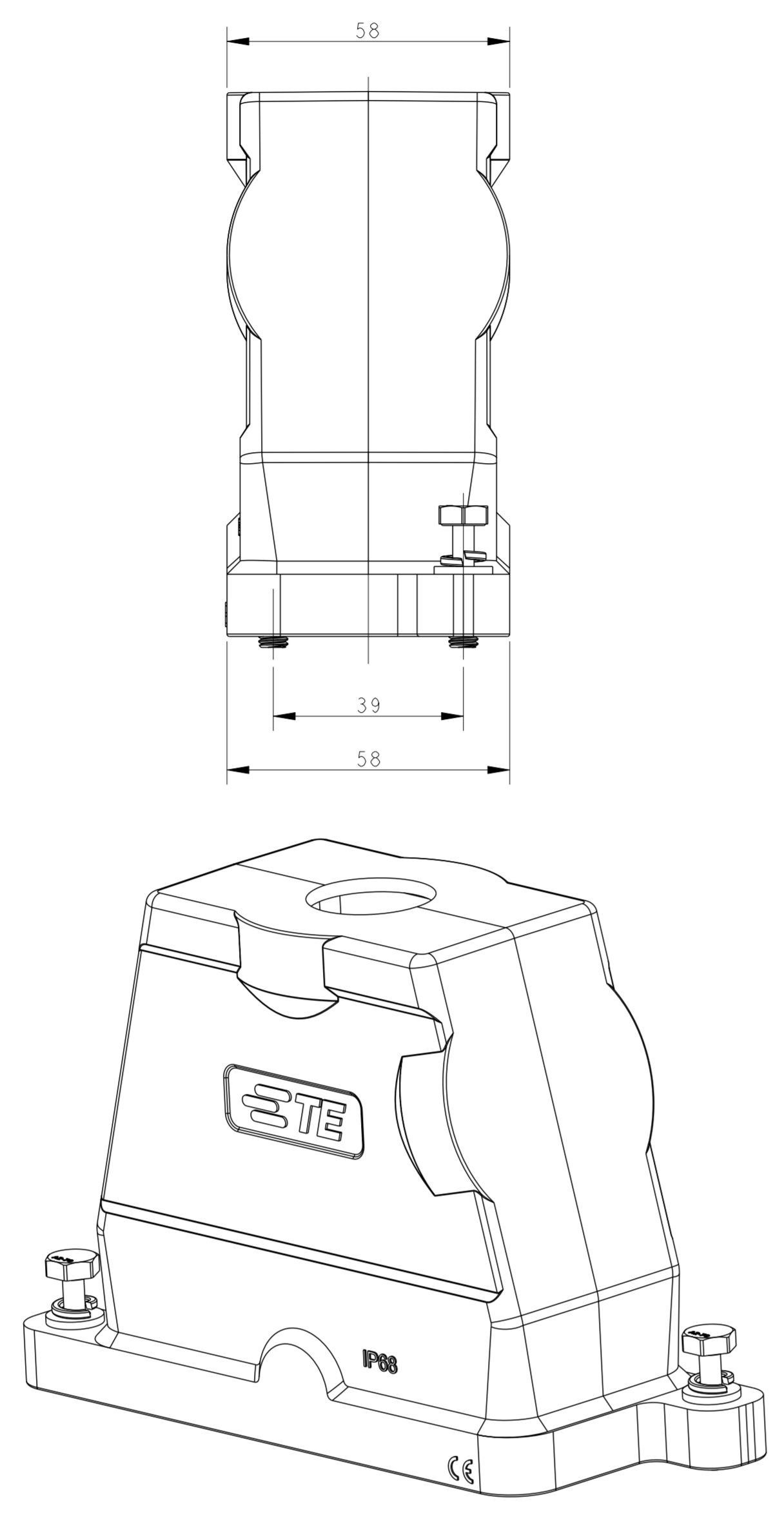


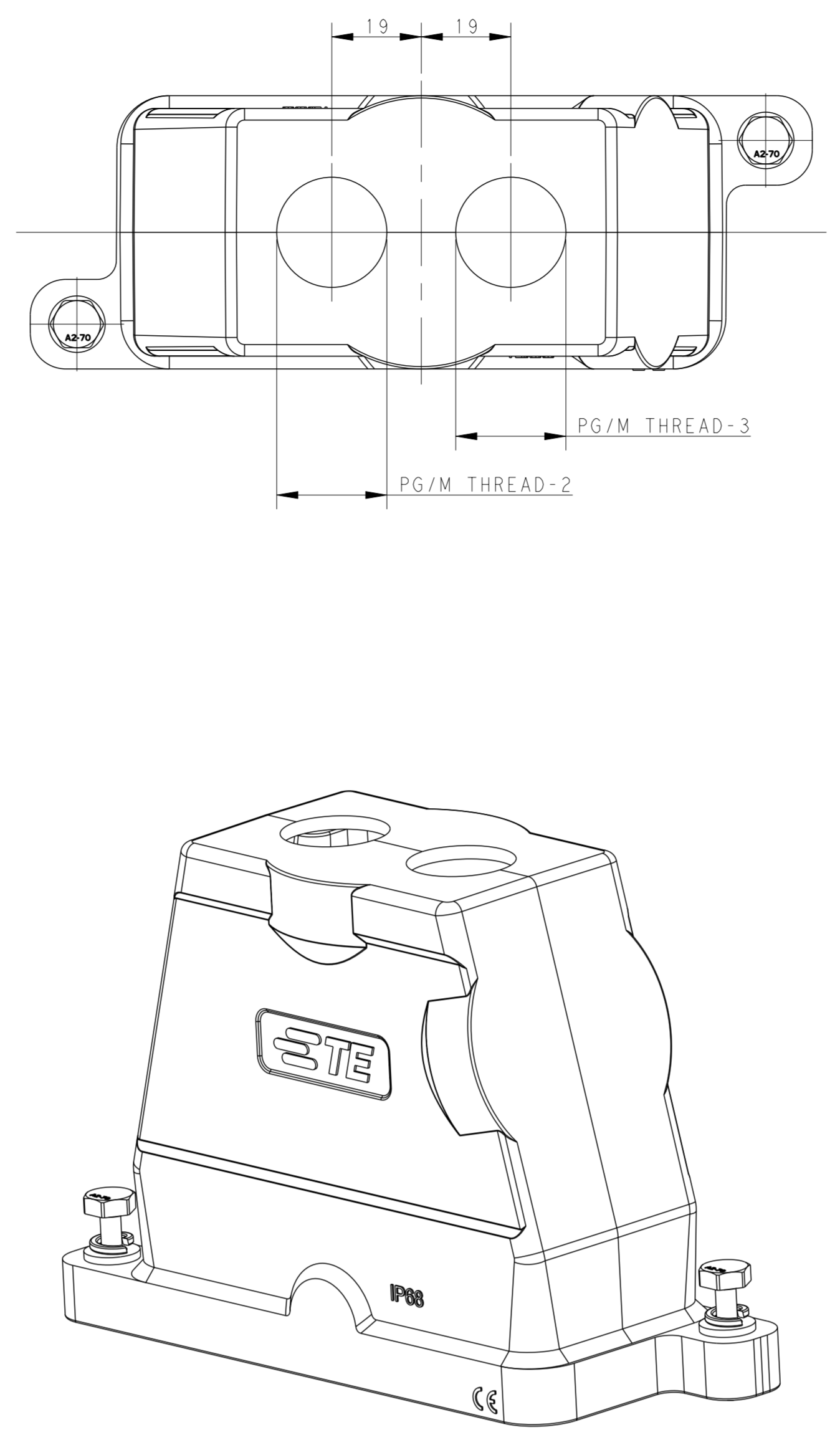
Single PG/M thread



TYPE 1

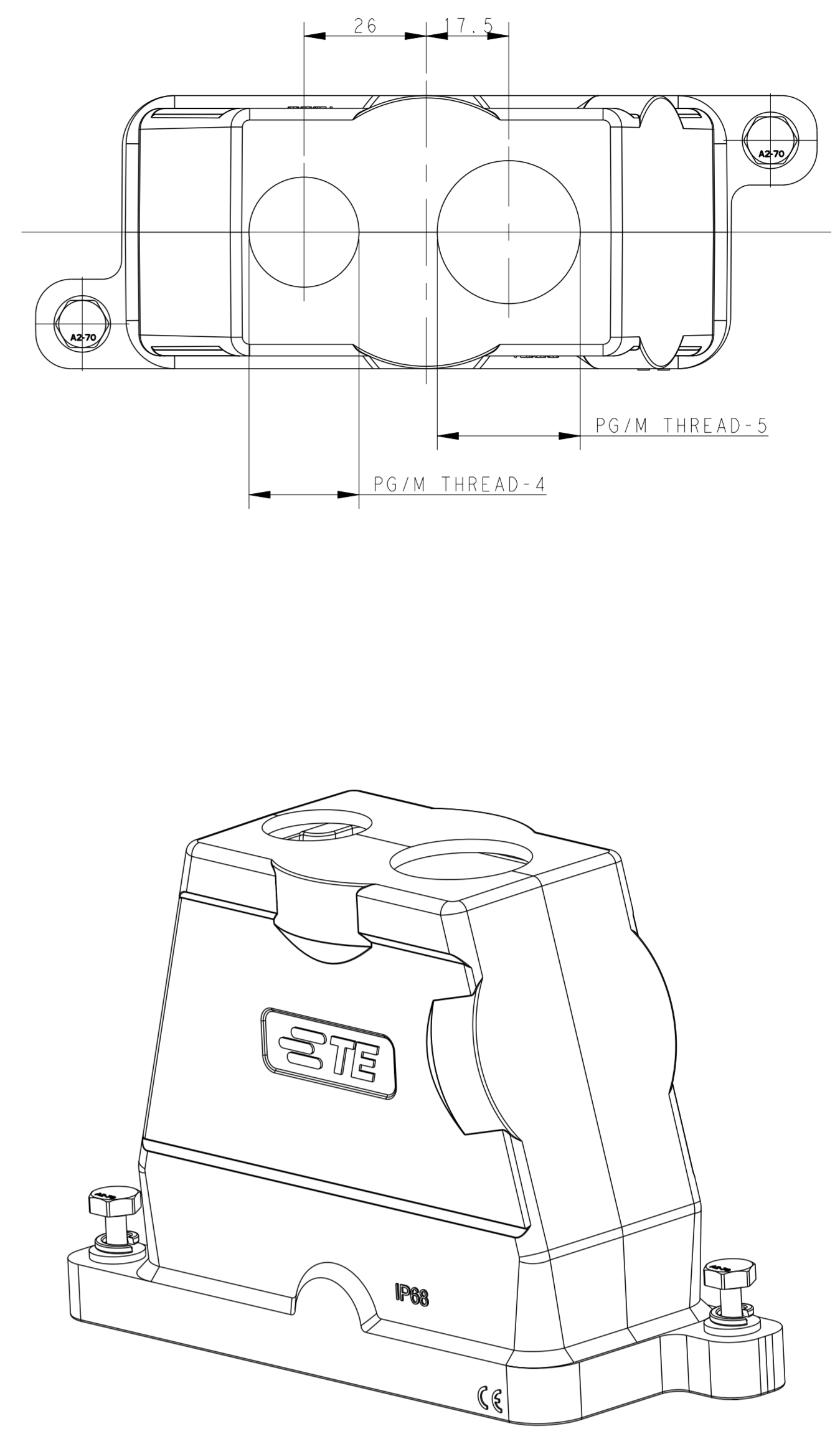


Two PG/M threads



TYPE 2

Three PG/M threads



TYPE 3

REVISIONS			
P. LN	DESCRIPTION	DATE	BY
A	INITIAL RELEASE	12SEP2016	DW
B	ECR-19-009256	23FEB2019	CD
C	ECR-20-016312	03JUN2021	BS

All dimension is same as TYPE 1, except those defined in this TYPE
除了在本类型中文尺寸外,其他尺寸同类型1

All dimension is same as TYPE 1, except those defined in this TYPE
除了在本类型中文尺寸外,其他尺寸同类型1

NOTES:
1. TECHNICAL CHARACTERISTICS:
HOOD MATERIAL: DIE CAST ALUMINIUM ALLOY
SURFACE: SEE TABLE
DEGREE OF PROTECTION: IP68 (MATED)

注释:
1. 技术特性:
壳体材料: 铝合金
表面处理: 见表格
防护等级: IP68 (配合)

PART NUMBER	料号	PART DESCRIPTION	描述	PG/M THREAD-5	PG/M THREAD-4	PG/M THREAD-3	PG/M THREAD-2	PG/M THREAD-1	TYPE
T1920163225-109	H16BPR-TGH-M32/M25-EMC-C	H16BPR HOOD, DIAGONAL LOCKING, TOP ENTRY M32/M25, PASSIVATION+POWDER COATED, BLACK	H16BPR上盖, 对角锁定, 顶部M32/M25, 钝化+黑色粉末喷涂	M32	M25	-	-	-	TYPE 3
T1920163225-009	H16BPR-TGH-M32/M25-EMC-C	H16BPR HOOD, DIAGONAL LOCKING, TOP ENTRY M32/M25, PASSIVATION+POWDER COATED, GREY	H16BPR上盖, 对角锁定, 顶部M32/M25, 钝化+灰色粉末喷涂	M32	M25	-	-	-	类型3
T1920162516-009	H16BPR-TGH-M25/M16-EMC-C	H16BPR HOOD, DIAGONAL LOCKING, TOP ENTRY M25/M16, PASSIVATION+POWDER COATED, BLACK	H16BPR上盖, 对角锁定, 顶部M25/M16, 钝化+黑色粉末喷涂	-	-	M16	M25	-	TYPE 2
T1920161225-009	H16BPR-TGH-2M25-EMC-C	H16BPR HOOD, DIAGONAL LOCKING, TOP ENTRY 2M25, PASSIVATION+POWDER COATED, SILVER WHITE	H16BPR上盖, 对角锁定, 顶部2M25, 钝化+银白色粉末喷涂	-	-	M25	M25	-	类型2
T1920160225-009	H16BPR-TGH-2M25-EMC-C	H16BPR HOOD, DIAGONAL LOCKING, TOP ENTRY 2M25, PASSIVATION+POWDER COATED, BLACK	H16BPR上盖, 对角锁定, 顶部2M25, 钝化+黑色粉末喷涂	-	-	M25	M25	-	-
T1920161140-009	H16BPR-TGH-M40-EMC-C	H16BPR HOOD, DIAGONAL LOCKING, TOP ENTRY M40, PASSIVATION+POWDER COATED, SILVER WHITE	H16BPR上盖, 对角锁定, 顶部M40, 钝化+银白色粉末喷涂	-	-	-	-	M40	-
T1920161136-009	H16BPR-TGH-PG36-EMC-C	H16BPR HOOD, DIAGONAL LOCKING, TOP ENTRY PG36, PASSIVATION+POWDER COATED, SILVER WHITE	H16BPR上盖, 对角锁定, 顶部PG36, 钝化+银白色粉末喷涂	-	-	-	-	PG36	-
T1920161132-009	H16BPR-TGH-M32-EMC-C	H16BPR HOOD, DIAGONAL LOCKING, TOP ENTRY M32, PASSIVATION+POWDER COATED, SILVER WHITE	H16BPR上盖, 对角锁定, 顶部M32, 钝化+银白色粉末喷涂	-	-	-	-	M32	-
T1920161129-009	H16BPR-TGH-PG29-EMC-C	H16BPR HOOD, DIAGONAL LOCKING, TOP ENTRY PG29, PASSIVATION+POWDER COATED, SILVER WHITE	H16BPR上盖, 对角锁定, 顶部PG29, 钝化+银白色粉末喷涂	-	-	-	-	PG29	-
T1920161125-009	H16BPR-TGH-M25-EMC-C	H16BPR HOOD, DIAGONAL LOCKING, TOP ENTRY M25, PASSIVATION+POWDER COATED, SILVER WHITE	H16BPR上盖, 对角锁定, 顶部M25, 钝化+银白色粉末喷涂	-	-	-	-	M25	-
T1920161121-009	H16BPR-TGH-PG21-EMC-C	H16BPR HOOD, DIAGONAL LOCKING, TOP ENTRY PG21, PASSIVATION+POWDER COATED, SILVER WHITE	H16BPR上盖, 对角锁定, 顶部PG21, 钝化+银白色粉末喷涂	-	-	-	-	PG21	TYPE 1
T1920160140-009	H16BPR-TGH-M40-EMC-C	H16BPR HOOD, DIAGONAL LOCKING, TOP ENTRY M40, PASSIVATION+POWDER COATED, BLACK	H16BPR上盖, 对角锁定, 顶部M40, 钝化+黑色粉末喷涂	-	-	-	-	M40	类型1
T1920160136-009	H16BPR-TGH-PG36-EMC-C	H16BPR HOOD, DIAGONAL LOCKING, TOP ENTRY PG36, PASSIVATION+POWDER COATED, BLACK	H16BPR上盖, 对角锁定, 顶部PG36, 钝化+黑色粉末喷涂	-	-	-	-	PG36	-
T1920160132-009	H16BPR-TGH-M32-EMC-C	H16BPR HOOD, DIAGONAL LOCKING, TOP ENTRY M32, PASSIVATION+POWDER COATED, BLACK	H16BPR上盖, 对角锁定, 顶部M32, 钝化+黑色粉末喷涂	-	-	-	-	M32	-
T1920160129-009	H16BPR-TGH-PG29-EMC-C	H16BPR HOOD, DIAGONAL LOCKING, TOP ENTRY PG29, PASSIVATION+POWDER COATED, BLACK	H16BPR上盖, 对角锁定, 顶部PG29, 钝化+黑色粉末喷涂	-	-	-	-	PG29	-
T1920160125-009	H16BPR-TGH-M25-EMC-C	H16BPR HOOD, DIAGONAL LOCKING, TOP ENTRY M25, PASSIVATION+POWDER COATED, BLACK	H16BPR上盖, 对角锁定, 顶部M25, 钝化+黑色粉末喷涂	-	-	-	-	M25	-
T1920160121-009	H16BPR-TGH-PG21-EMC-C	H16BPR HOOD, DIAGONAL LOCKING, TOP ENTRY PG21, PASSIVATION+POWDER COATED, BLACK	H16BPR上盖, 对角锁定, 顶部PG21, 钝化+黑色粉末喷涂	-	-	-	-	PG21	-

THIS DRAWING IS A CONTROLLED DOCUMENT.

REV: 2 SEP 2016

DAVID WANG

CHRIS WANG

XIANG YU

PRODUCT SPEC

108-137191

APPLICATION SPEC

114-137191

WEIGHT

CUSTOMER DRAWING

SCALE: 1:1

SHEET 1 OF 1

REV C

STE

TE Connectivity

H16BPR-TGH-PG/M-EMC-C

X-ON Electronics

Largest Supplier of Electrical and Electronic Components

Click to view similar products for [Heavy Duty Power Connectors](#) category:

Click to view products by [TE Connectivity](#) manufacturer:

Other Similar products are found below :

[647757-1](#) [6643411-1](#) [6646058-2](#) [6646137-1](#) [6646138-1](#) [6646479-1](#) [6646608-1](#) [6646786-1](#) [6646940-1](#) [6651091-1](#) [6651525-1](#) [6651529-1](#)
[6651788-1](#) [696475-1](#) [702-32-01109](#) [703-25-02205](#) [73000005059](#) [73000005642](#) [73080255059](#) [73080965046](#) [765-15-0080A](#) [765-16-0080B](#)
[765-18-0080D](#) [829992-1](#) [902-77-02113](#) [PS00/A0620/6300](#) [PS25/A0420/63](#) [129-1J](#) [1409400](#) [AN0024023](#) [E6374G1](#) [e6389g2](#) [157-43GW8](#)
[MS3117-14AC](#) [1643543-1](#) [1650540-1](#) [1651811-2](#) [1766260-1](#) [1766282-1](#) [1766966-1](#) [1791340000](#) [NLDFT-3-BL-L-S120-M40A](#) [NLDFT-N-](#)
[W-L-C240-M40B](#) [NLS-2-R-C240-M40B](#) [NLS-N-W-C240-M40B](#) [NPS-3-BL-T6](#) [1986615-1](#) [2-1589900-8](#) [2199314-1](#) [KA8102](#)