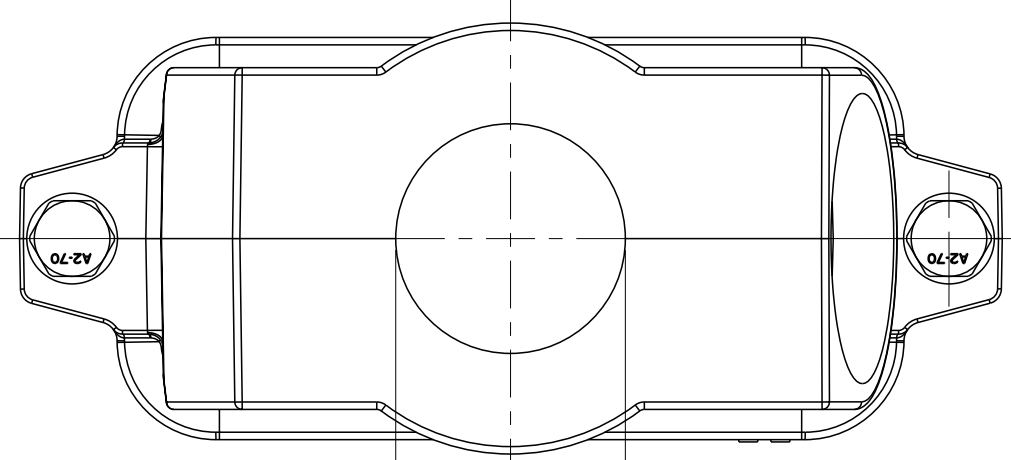
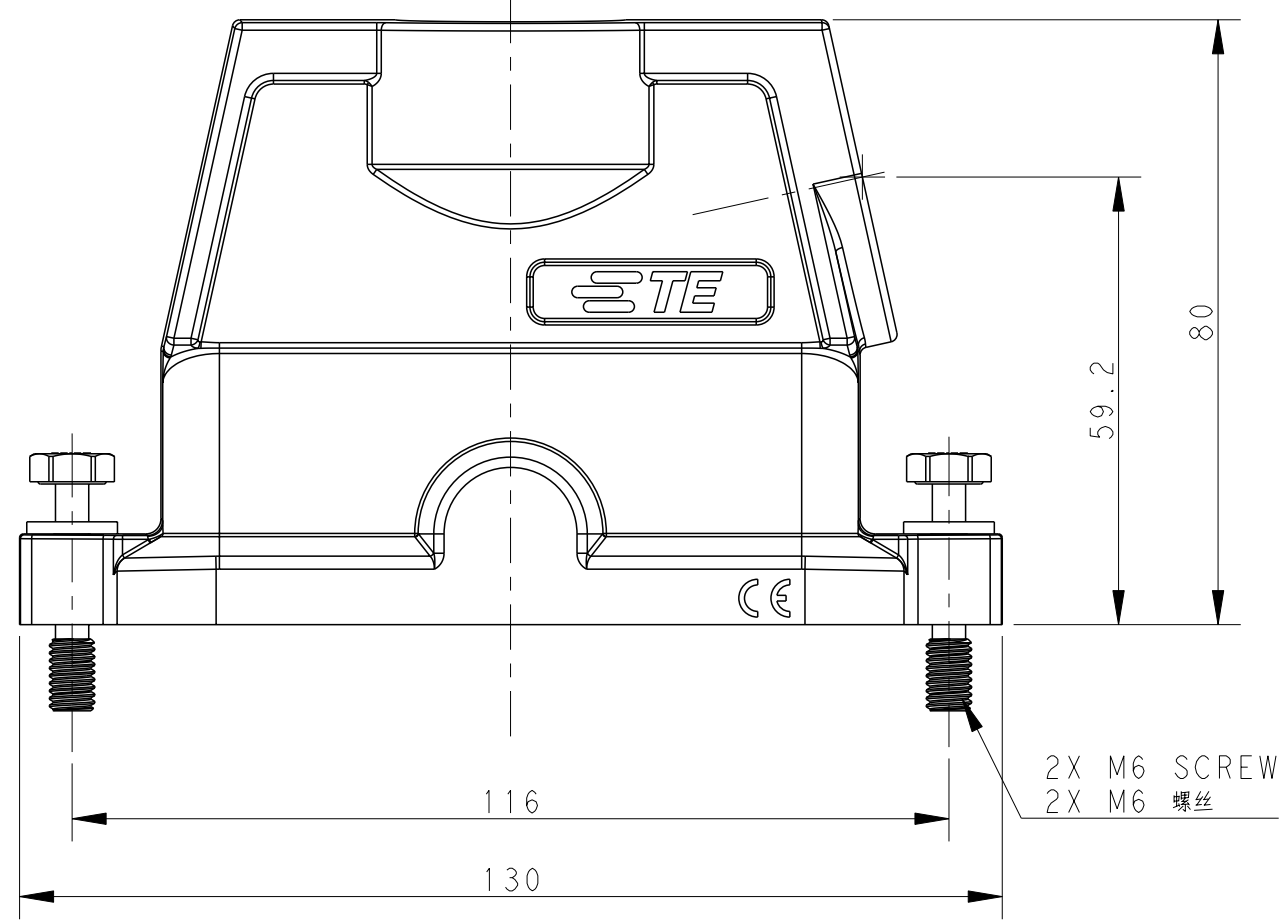


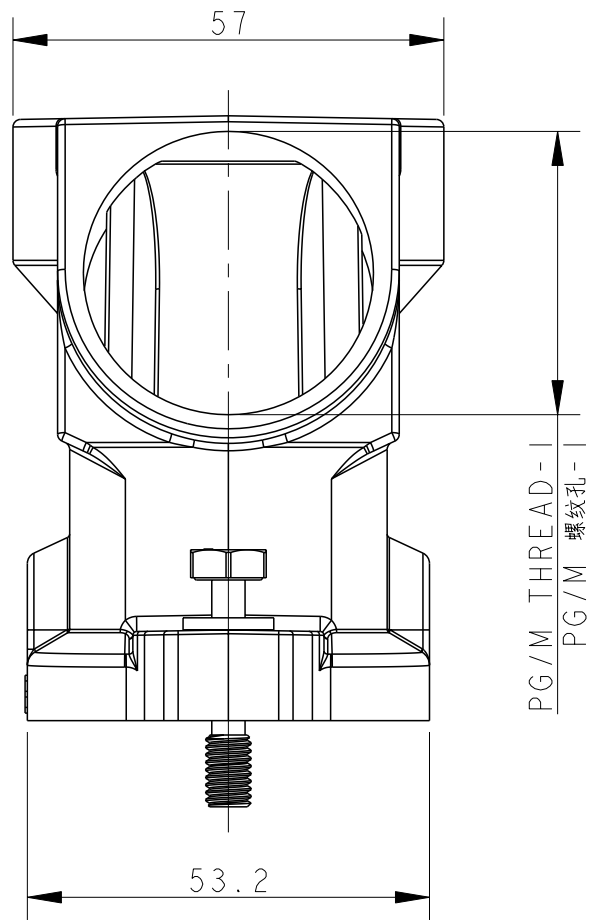
REVISIONS				
P	LTR	DESCRIPTION	DATE	APVD
A		INITIAL RELEASE	08OCT2016	DW CW
B		ECR-20-016312	03JUN2021	BS CW



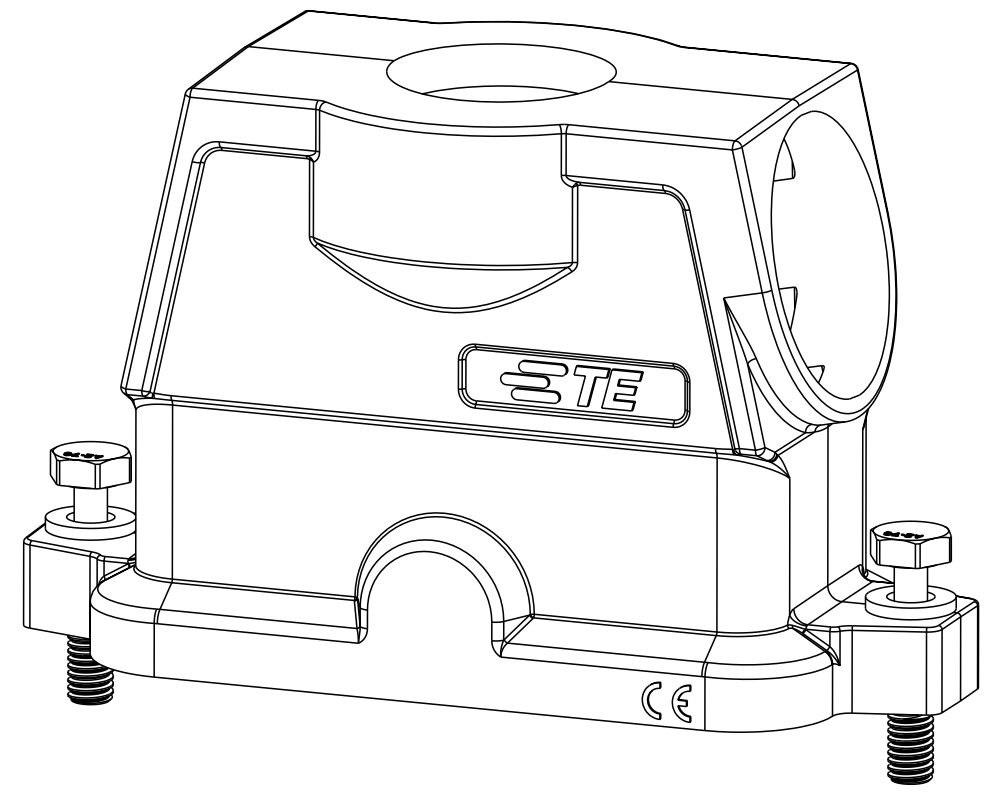
PG/M THREAD-2
PG/M 螺纹孔-2



2X M6 SCREW
2X M6 螺丝

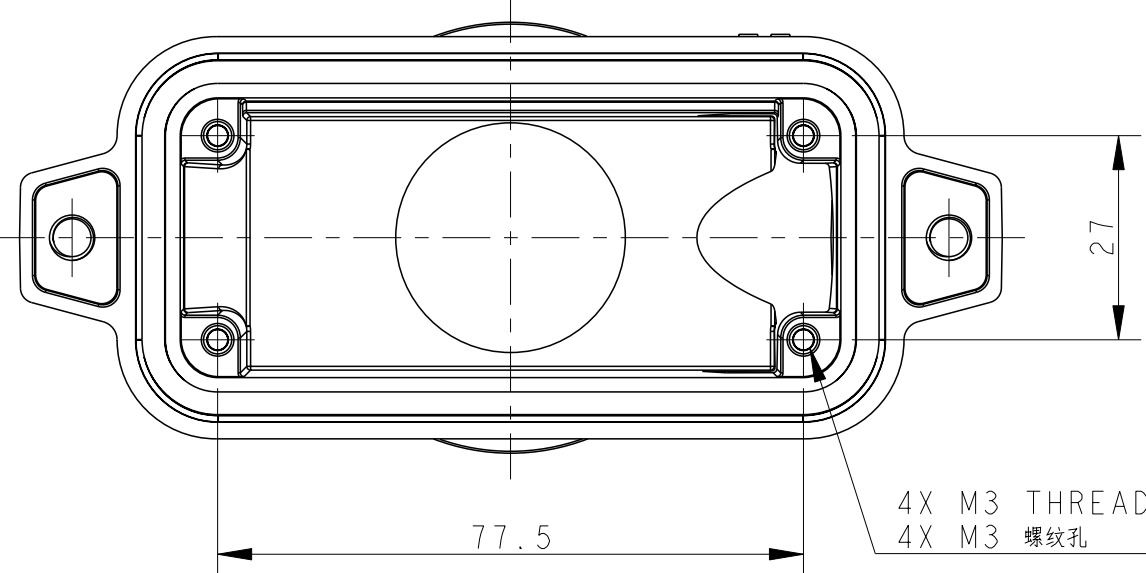


PG/M THREAD-1
PG/M 螺纹孔-1



NOTES:
 1. TECHNICAL CHARACTERISTICS:
 HOOD MATERIAL: DIE CAST ALUMINIUM ALLOY
 SURFACE: SEE TABLE
 DEGREE OF PROTECTION: IP68 (MATED)

注释:
 1. 技术参数:
 壳体材料: 铝合金
 表面处理: 见表格
 防护等级: IP68 (配合)



4X M3 THREAD
4X M3 螺纹孔

PART NUMBER 料号	PART DESCRIPTION 描述	PG/M THREAD-2 PG/M 螺纹孔-2	PG/M THREAD-1 PG/M 螺纹孔-1
T1902164020-009	H16BPR-TG/SHC-M20/M40-EMC-C H16BPR HOOD, CENTER LOCKING, TOP ENTRY M20, SIDE ENTRY M40, POWDER COATED, SILVER WHITE H16BPR中部锁定顶出M20侧出M40上壳, 银白色粉末喷涂	M20	M40
T1902164025-009	H16BPR-TG/SHC-M40/M25-EMC-C H16BPR HOOD, CENTER LOCKING, TOP ENTRY M40, SIDE ENTRY M25, POWDER COATED, SILVER WHITE H16BPR中部锁定顶出M40侧出M25上壳, 银白色粉末喷涂	M40	M25
T1902163240-009	H16BPR-TG/SHC-M32/M40-EMC-C H16BPR HOOD, CENTER LOCKING, TOP ENTRY M32, SIDE ENTRY M40, POWDER COATED, SILVER WHITE H16BPR中部锁定顶出M32侧出M40上壳, 银白色粉末喷涂	M32	M40
T1902164020-109	H16BPR-TG/SHC-M20/M40-EMC-C H16BPR HOOD, CENTER LOCKING, TOP ENTRY M20, SIDE ENTRY M40, POWDER COATED, BLACK H16BPR中部锁定顶出M20侧出M40上壳, 黑色粉末喷涂	M20	M40
T1902164025-109	H16BPR-TG/SHC-M40/M25-EMC-C H16BPR HOOD, CENTER LOCKING, TOP ENTRY M40, SIDE ENTRY M25, POWDER COATED, BLACK H16BPR中部锁定顶出M40侧出M25上壳, 黑色粉末喷涂	M40	M25
T1902163240-109	H16BPR-TG/SHC-M32/M40-EMC-C H16BPR HOOD, CENTER LOCKING, TOP ENTRY M32, SIDE ENTRY M40, POWDER COATED, BLACK H16BPR中部锁定顶出M32侧出M40上壳, 黑色粉末喷涂	M32	M40

THIS DRAWING IS A CONTROLLED DOCUMENT.

DWN: DAVID WANG 08OCT2016
 CHK: CHRIS WANG 08OCT2016
 APVD: XIANG XU 08OCT2016

DAVID WANG
CHRIS WANG
XIANG XU

PRODUCT SPEC: 108-137191
 APPLICATION SPEC: 114-137191

TE Connectivity

NAME: H16BPR-TG/SHC-PG/M-EMC-C

SIZE: A2 CAGE CODE: - DRAWING NO: G-T190216XXXXX09 RESTRICTED TO: -

Customer Drawing SCALE: 1:1 SHEET: 1 OF 1 REV: B

Printed on 7 Jun 2021 15:24 (China Standard Time) from TE236667

X-ON Electronics

Largest Supplier of Electrical and Electronic Components

Click to view similar products for [Heavy Duty Power Connectors](#) category:

Click to view products by [TE Connectivity](#) manufacturer:

Other Similar products are found below :

[647757-1](#) [6643411-1](#) [6646058-2](#) [6646137-1](#) [6646138-1](#) [6646479-1](#) [6646608-1](#) [6646786-1](#) [6646940-1](#) [6651091-1](#) [6651525-1](#) [6651529-1](#)
[6651788-1](#) [696475-1](#) [702-32-01109](#) [703-25-02205](#) [73000005059](#) [73000005642](#) [73080255059](#) [73080965046](#) [765-15-0080A](#) [765-16-0080B](#)
[765-18-0080D](#) [829992-1](#) [902-77-02113](#) [PS00/A0620/6300](#) [PS25/A0420/63](#) [129-1J](#) [1409400](#) [AN0024023](#) [E6374G1](#) [e6389g2](#) [157-43GW8](#)
[MS3117-14AC](#) [1643543-1](#) [1650540-1](#) [1651811-2](#) [1766260-1](#) [1766282-1](#) [1766966-1](#) [1791340000](#) [NLDFT-3-BL-L-S120-M40A](#) [NLDFT-N-](#)
[W-L-C240-M40B](#) [NLS-2-R-C240-M40B](#) [NLS-N-W-C240-M40B](#) [NPS-3-BL-T6](#) [1986615-1](#) [2-1589900-8](#) [2199314-1](#) [KA8102](#)