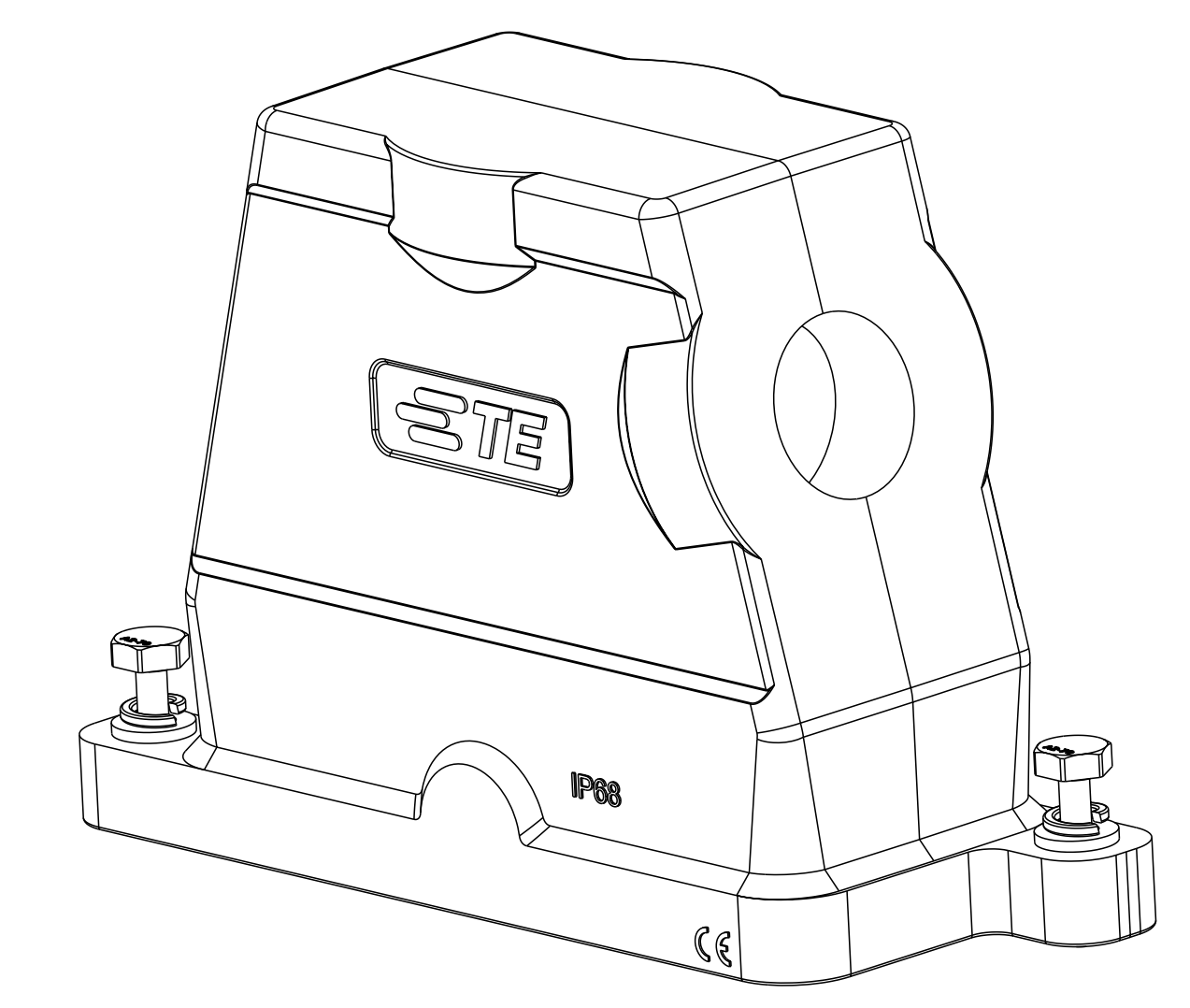
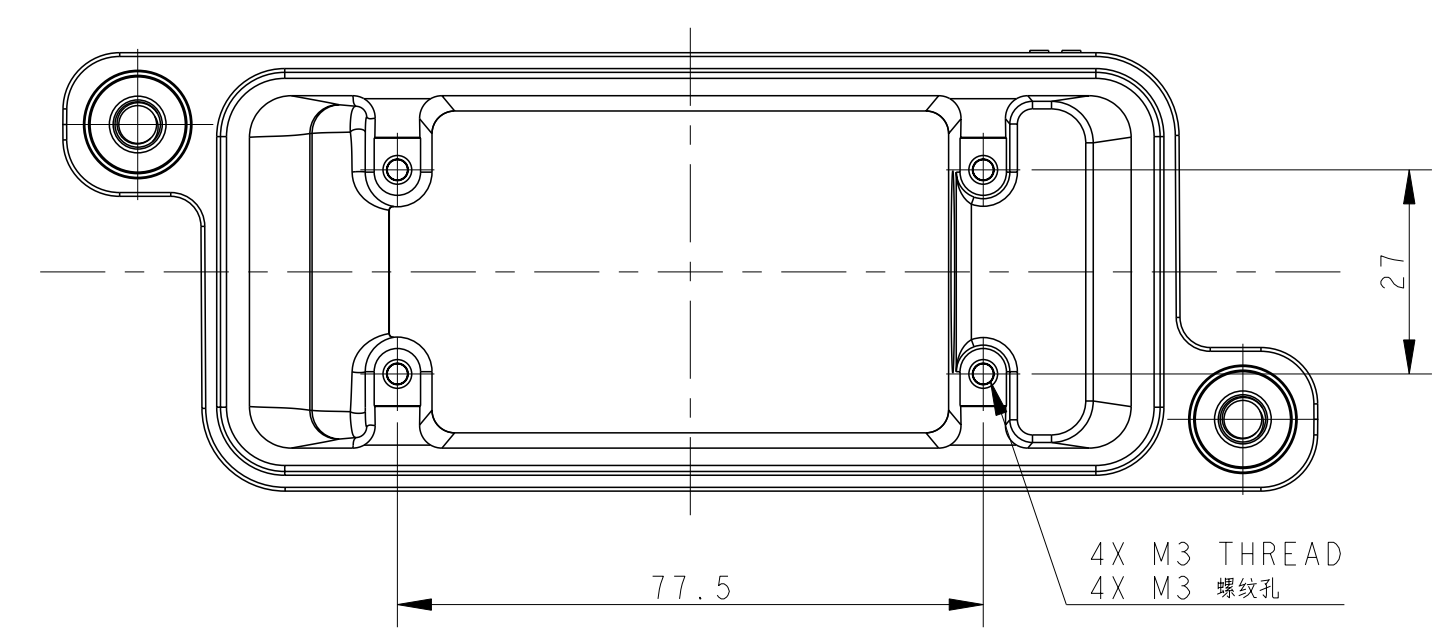
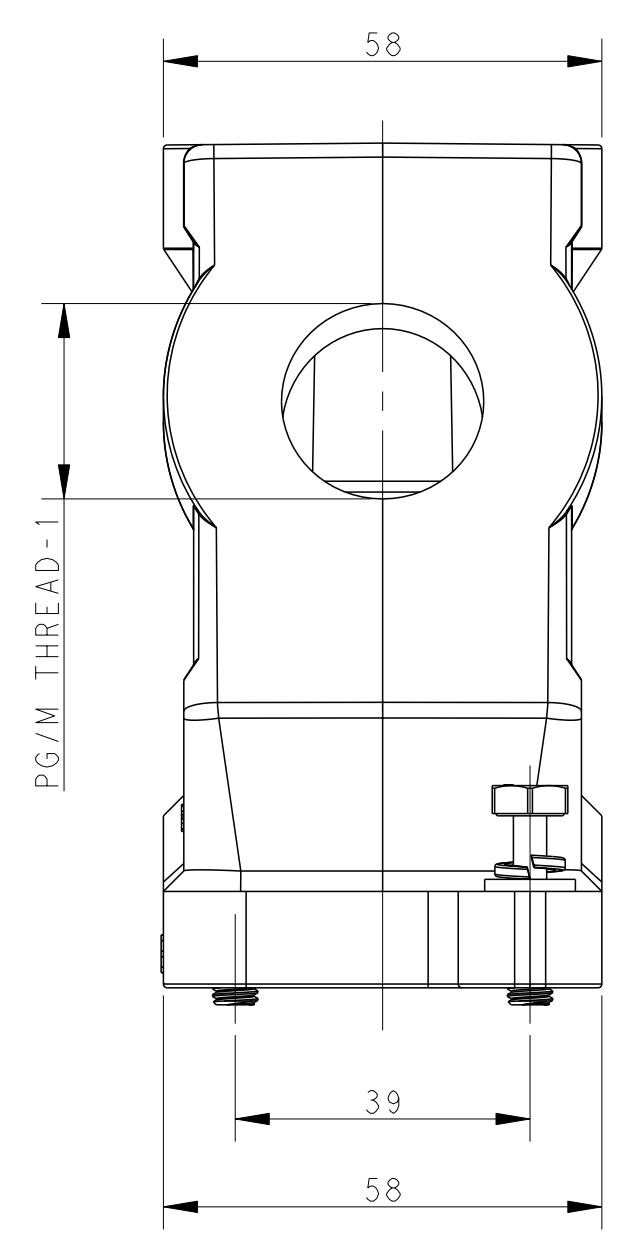
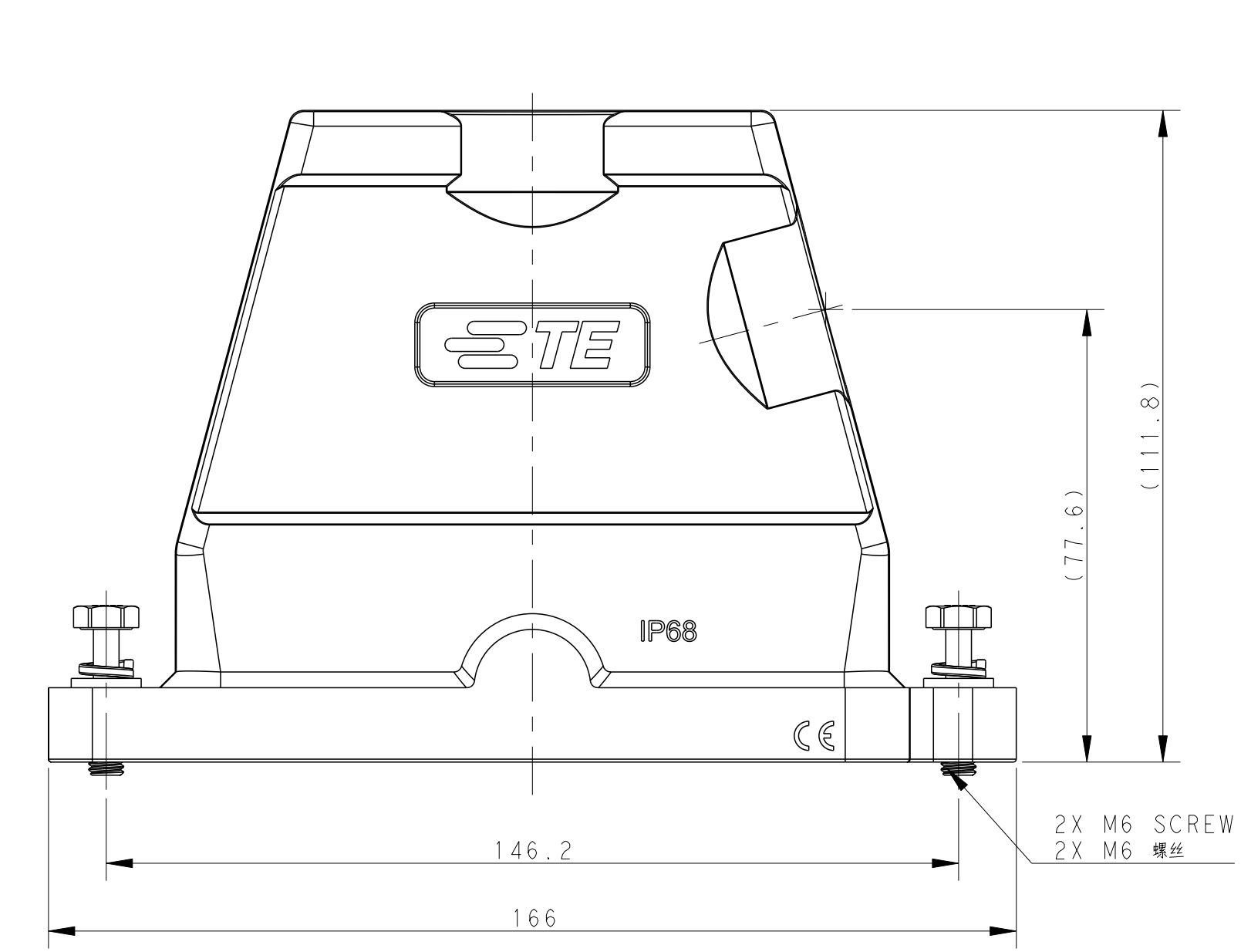


REVISIONS				
#	DATE	DESCRIPTION	DATE	BY
A	02SEP2016	INITIAL RELEASE		DW CW
B	03JUN2021	ECR-20-016312		BS CW



NOTES:
 1. TECHNICAL CHARACTERISTICS:
 HOOD MATERIAL: DIE CAST ALUMINIUM ALLOY
 SURFACE: SEE TABLE
 DEGREE OF PROTECTION: IP68 (MATED)

注释:
 1. 技术参数:
 壳体材料: 铝合金
 表面处理: 见表格
 防护等级: IP68 (配合)

PART NUMBER	料号	PART DESCRIPTION	描述
T1910161140-009	H16BPR-TSH-M40-EMC-C	H16BPR HOOD, DIAGONAL LOCKING, SIDE ENTRY M40, POWDER COATED, SILVER WHITE	M40
T1910161136-009	H16BPR-TSH-PG36-EMC-C	H16BPR HOOD, DIAGONAL LOCKING, SIDE ENTRY PG36, POWDER COATED, SILVER WHITE	PG36
T1910161132-009	H16BPR-TSH-M32-EMC-C	H16BPR HOOD, DIAGONAL LOCKING, SIDE ENTRY M32, POWDER COATED, SILVER WHITE	M32
T1910161129-009	H16BPR-TSH-PG29-EMC-C	H16BPR HOOD, DIAGONAL LOCKING, SIDE ENTRY PG29, POWDER COATED, SILVER WHITE	PG29
T1910161125-009	H16BPR-TSH-M25-EMC-C	H16BPR HOOD, DIAGONAL LOCKING, SIDE ENTRY M25, POWDER COATED, SILVER WHITE	M25
T1910161121-009	H16BPR-TSH-PG21-EMC-C	H16BPR HOOD, DIAGONAL LOCKING, SIDE ENTRY PG21, POWDER COATED, SILVER WHITE	PG21
T1910160140-009	H16BPR-TSH-M40-EMC-C	H16BPR HOOD, DIAGONAL LOCKING, SIDE ENTRY M40, POWDER COATED, BLACK	M40
T1910160136-009	H16BPR-TSH-PG36-EMC-C	H16BPR HOOD, DIAGONAL LOCKING, SIDE ENTRY PG36, POWDER COATED, BLACK	PG36
T1910160132-009	H16BPR-TSH-M32-EMC-C	H16BPR HOOD, DIAGONAL LOCKING, SIDE ENTRY M32, POWDER COATED, BLACK	M32
T1910160129-009	H16BPR-TSH-PG29-EMC-C	H16BPR HOOD, DIAGONAL LOCKING, SIDE ENTRY PG29, POWDER COATED, BLACK	PG29
T1910160125-009	H16BPR-TSH-M25-EMC-C	H16BPR HOOD, DIAGONAL LOCKING, SIDE ENTRY M25, POWDER COATED, BLACK	M25
T1910160121-009	H16BPR-TSH-PG21-EMC-C	H16BPR HOOD, DIAGONAL LOCKING, SIDE ENTRY PG21, POWDER COATED, BLACK	PG21

THIS DRAWING IS A CONTROLLED DOCUMENT.

DIMENSIONS: mm 	TOLERANCES UNLESS OTHERWISE SPECIFIED: 0 PLC ± 2 PLC ± 3 PLC ± 4 PLC ± ANGLES FINISH ±	DWN DAVID WANG 02SEP2016 CHK CHRIS WANG 02SEP2016 APVD XIANG XU 02SEP2016 NAME H16BPR-TSH-PG/M-EMC-C PRODUCT SPEC 108-137191 APPLICATION SPEC 114-137191 WEIGHT CUSTOMER DRAWING	TE Connectivity SIZE A1 CAGE CODE DRAWING NO. C-T191016XXXX09 RESTRICTED TO SCALE 1:1 SHEET 1 OF 1 REV B
-----------------------	---	---	---

Printed on 7 Jun 2021 15:27 (China Standard Time) from T1910161140-009

X-ON Electronics

Largest Supplier of Electrical and Electronic Components

Click to view similar products for [Heavy Duty Power Connectors](#) category:

Click to view products by [TE Connectivity](#) manufacturer:

Other Similar products are found below :

[647757-1](#) [6643411-1](#) [6646058-2](#) [6646137-1](#) [6646138-1](#) [6646479-1](#) [6646608-1](#) [6646786-1](#) [6646940-1](#) [6651091-1](#) [6651525-1](#) [6651529-1](#)
[6651788-1](#) [696475-1](#) [702-32-01109](#) [703-25-02205](#) [73000005059](#) [73000005642](#) [73080255059](#) [73080965046](#) [765-15-0080A](#) [765-16-0080B](#)
[765-18-0080D](#) [829992-1](#) [902-77-02113](#) [PS00/A0620/6300](#) [PS25/A0420/63](#) [129-1J](#) [1409400](#) [AN0024023](#) [E6374G1](#) [e6389g2](#) [157-43GW8](#)
[MS3117-14AC](#) [1643543-1](#) [1650540-1](#) [1651811-2](#) [1766260-1](#) [1766282-1](#) [1766966-1](#) [1791340000](#) [NLDFT-3-BL-L-S120-M40A](#) [NLDFT-N-](#)
[W-L-C240-M40B](#) [NLS-2-R-C240-M40B](#) [NLS-N-W-C240-M40B](#) [NPS-3-BL-T6](#) [1986615-1](#) [2-1589900-8](#) [2199314-1](#) [KA8102](#)