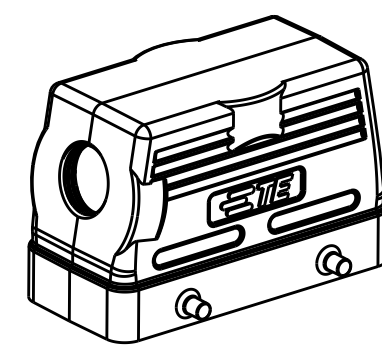
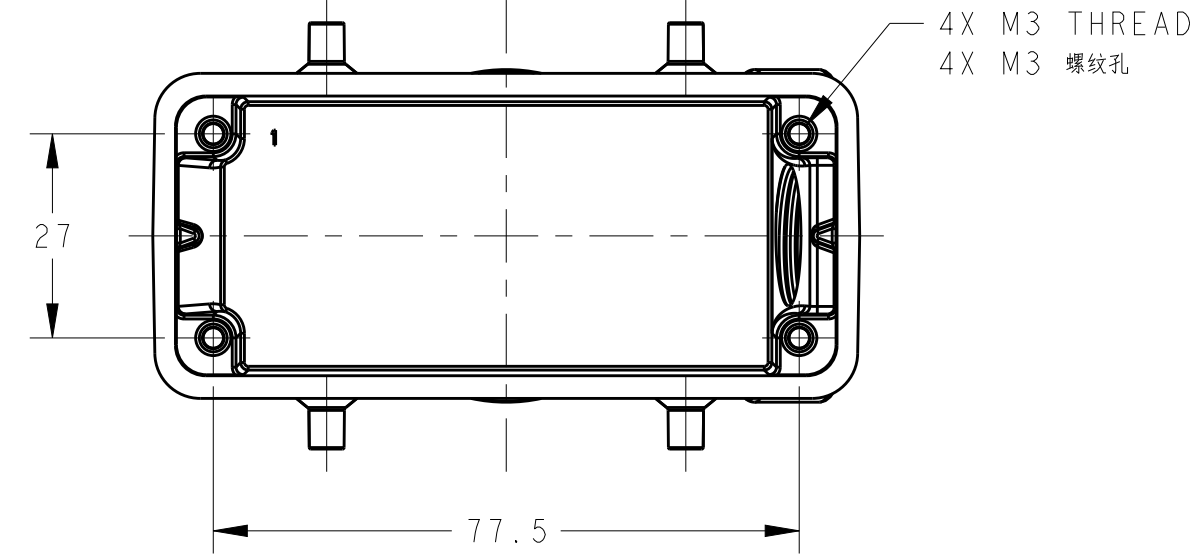
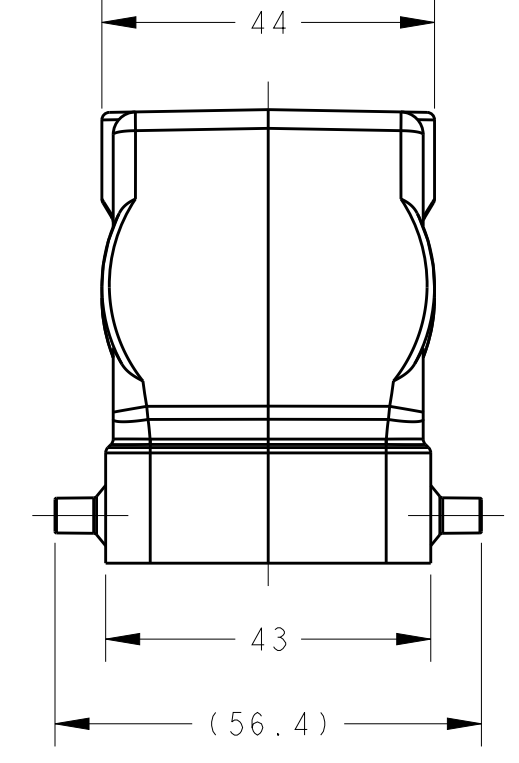
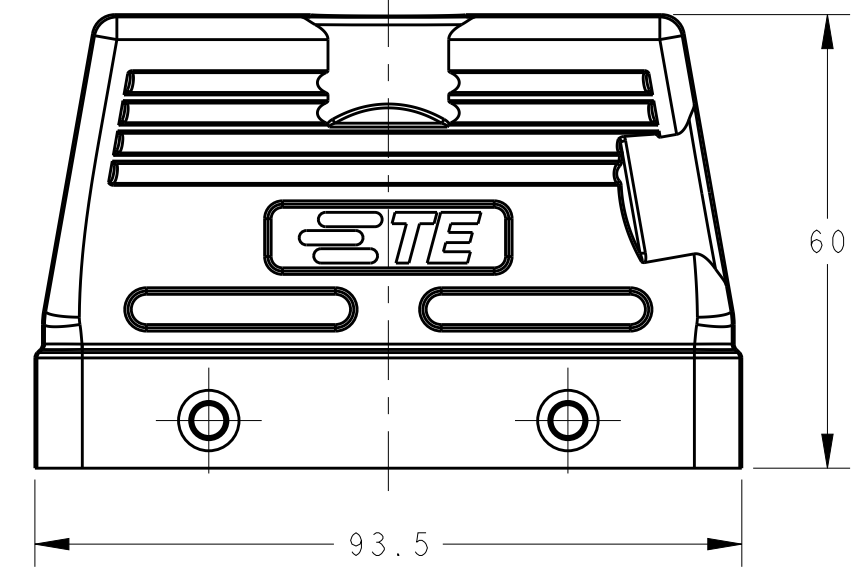
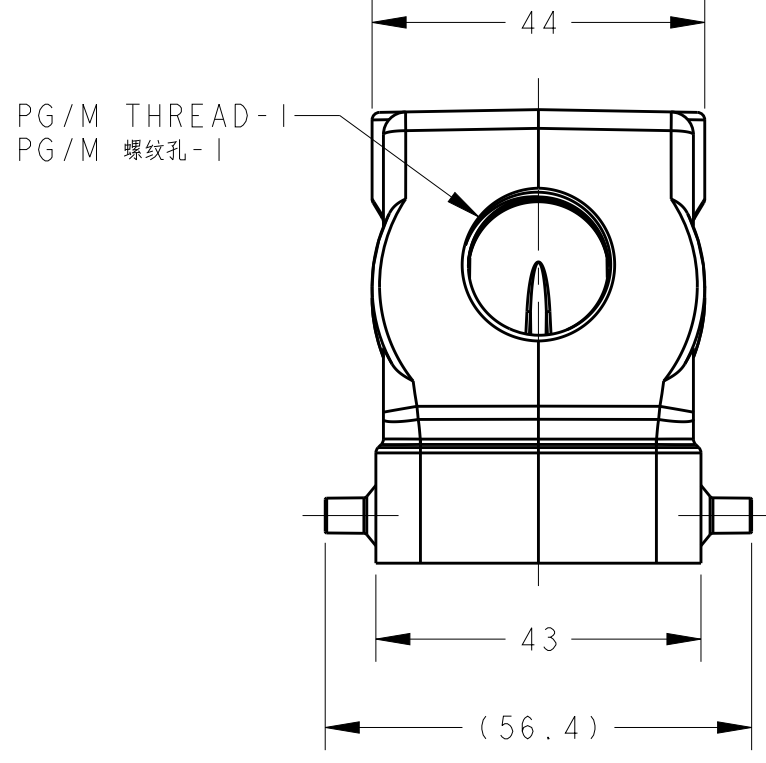
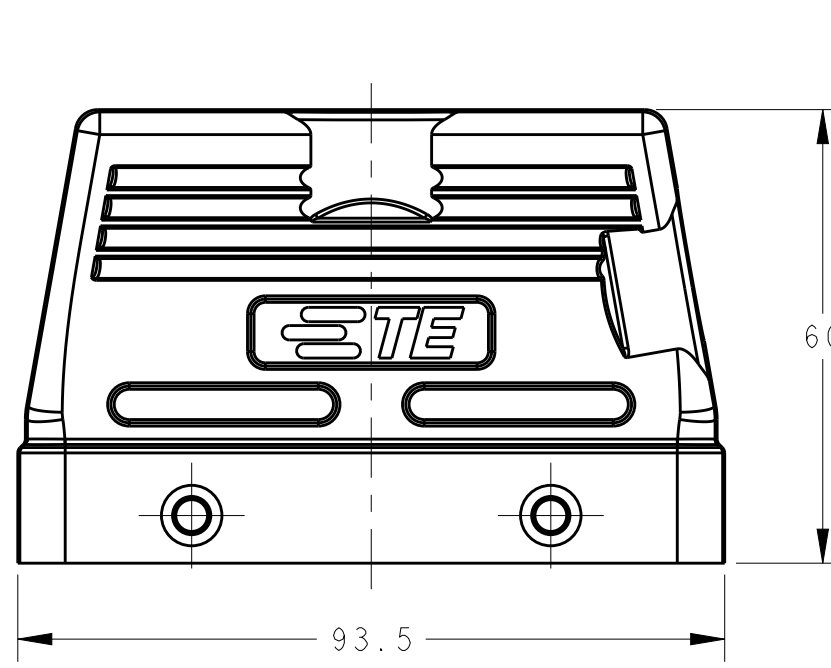
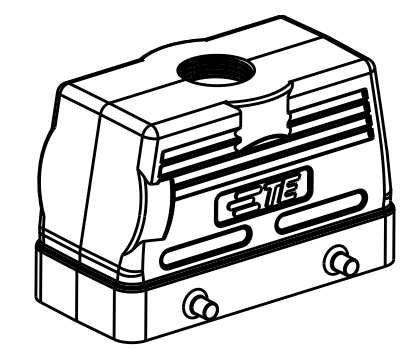
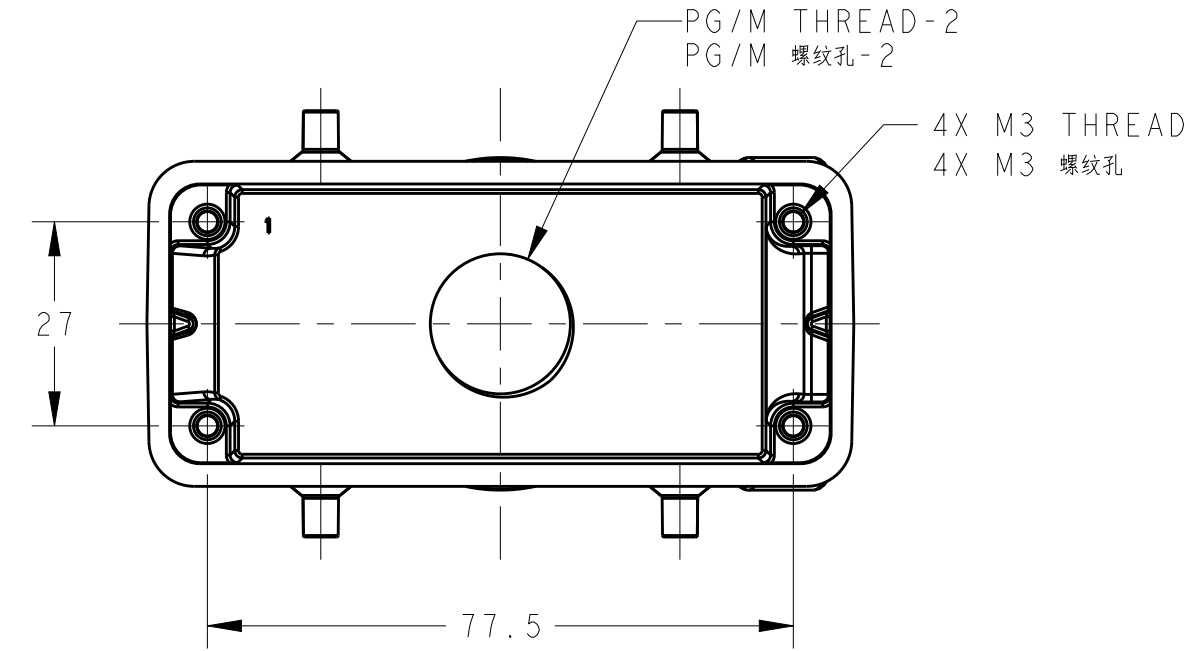


THIS DRAWING IS UNPUBLISHED. RELEASED FOR PUBLICATION 20
 © COPYRIGHT 20 BY - ALL RIGHTS RESERVED.

REVISIONS				
P	LTR	DESCRIPTION	DATE	APVD
A		INITIAL	25MAY2015	DW CW
A1		ECR-16-013641	24SEP2016	CH CW



SCALE 1:2



SCALE 1:2

TYPE 1: LOW CONSTRUCTION, SIDE ENTRY
 类型1: 低结构, 侧出

TYPE 2: LOW CONSTRUCTION, TOP ENTRY
 类型2: 低结构, 顶出

NOTES:
 1. TECHNICAL CHARACTERISTICS:
 HOOD MATERIAL: DIE CAST ALUMINIUM ALLOY
 SURFACE: POWDER COATED, GRAY
 DEGREE OF PROTECTION: IP65 (MATED)

注释:
 1. 技术参数:
 上壳材料: 铝合金
 表面处理: 灰色粉末涂层
 防护等级: IP65(配合)


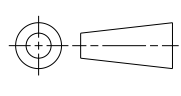
THIS DRAWING IS A CONTROLLED DOCUMENT.		DWN DAVID.WANG 25MAY2015	STE TE Connectivity	
		CHK CHRIS.WANG 25MAY2015		
		APVD XIANG.XU 25MAY2015	NAME H16B-TS/TG-M/PG	
DIMENSIONS: mm		PRODUCT SPEC 108-137013	SIZE CAGE CODE DRAWING NO RESTRICTED TO	
TOLERANCES UNLESS OTHERWISE SPECIFIED:		APPLICATION SPEC 114-137013	A200779 C-T12X01601XX000	
MATERIAL		WEIGHT	SCALE 1:1 SHEET 1 OF 2 REV A1	
		Customer Drawing		

THIS DRAWING IS UNPUBLISHED. RELEASED FOR PUBLICATION 20
 © COPYRIGHT 20 BY - ALL RIGHTS RESERVED.

REVISIONS				
P	LTR	DESCRIPTION	DATE	APVD
-	-	SEE SHEET 1	-	-

NOTES:
SEE SHEET 1.

T1210160116-000	H16B-TS-PG16	H16B HOOD, SIDE ENTRY PG16, 4 EAR, LOW CONSTRUCTION, POWDER COATED, GRAY H16B上壳,侧出PG16,4耳,低结构,灰色粉末喷涂	PG16	-	TYPE 1
T1210160120-000	H16B-TS-M20	H16B HOOD, SIDE ENTRY M20, 4 EAR, LOW CONSTRUCTION, POWDER COATED, GRAY H16B上壳,侧出M20,4耳,低结构,灰色粉末喷涂	M20	-	
T1210160121-000	H16B-TS-PG21	H16B HOOD, SIDE ENTRY PG21, 4 EAR, LOW CONSTRUCTION, POWDER COATED, GRAY H16B上壳,侧出PG21,4耳,低结构,灰色粉末喷涂	PG21	-	
T1210160125-000	H16B-TS-M25	H16B HOOD, SIDE ENTRY M25, 4 EAR, LOW CONSTRUCTION, POWDER COATED, GRAY H16B上壳,侧出M25,4耳,低结构,灰色粉末喷涂	M25	-	
T1210160132-000	H16B-TS-M32	H16B HOOD, SIDE ENTRY M32, 4 EAR, LOW CONSTRUCTION, POWDER COATED, GRAY H16B上壳,侧出M32,4耳,低结构,灰色粉末喷涂	M32	-	
T1220160129-000	H16B-TG-PG29	H16B HOOD, TOP ENTRY PG29, 4 EAR, LOW CONSTRUCTION, POWDER COATED, GRAY H16B上壳,顶出PG29,4耳,低结构,灰色粉末喷涂	-	PG29	TYPE 2
T1220160116-000	H16B-TG-PG16	H16B HOOD, TOP ENTRY PG16, 4 EAR, LOW CONSTRUCTION, POWDER COATED, GRAY H16B上壳,顶出PG16,4耳,低结构,灰色粉末喷涂	-	PG16	
T1220160120-000	H16B-TG-M20	H16B HOOD, TOP ENTRY M20, 4 EAR, LOW CONSTRUCTION, POWDER COATED, GRAY H16B上壳,顶出M20,4耳,低结构,灰色粉末喷涂	-	M20	
T1220160121-000	H16B-TG-PG21	H16B HOOD, TOP ENTRY PG21, 4 EAR, LOW CONSTRUCTION, POWDER COATED, GRAY H16B上壳,顶出PG21,4耳,低结构,灰色粉末喷涂	-	PG21	
T1220160125-000	H16B-TG-M25	H16B HOOD, TOP ENTRY M25, 4 EAR, LOW CONSTRUCTION, POWDER COATED, GRAY H16B上壳,顶出M25,4耳,低结构,灰色粉末喷涂	-	M25	
T1220160132-000	H16B-TG-M32	H16B HOOD, TOP ENTRY M32, 4 EAR, LOW CONSTRUCTION, POWDER COATED, GRAY H16B上壳,顶出M32,4耳,低结构,灰色粉末喷涂	-	M32	
T1220160136-000	H16B-TG-M36	H16B HOOD, TOP ENTRY M36, 4 EAR, LOW CONSTRUCTION, POWDER COATED, GRAY H16B上壳,顶出M36,4耳,低结构,灰色粉末喷涂	-	M36	
成品料号 ASSEMBLY PART NUMBER	成品描述 ASSEMBLY PART DESCRIPTION		PG/M THREAD-1 PG/M 螺纹孔-1	PG/M THREAD-2 PG/M 螺纹孔-2	TYPE

THIS DRAWING IS A CONTROLLED DOCUMENT.		DWN DAVID.WANG 25MAY2015	 TE Connectivity	
		CHK CHRIS.WANG 25MAY2015		
		APVD XIANG.XU 25MAY2015	NAME H16B-TS/TG-M/PG	
DIMENSIONS: mm 		PRODUCT SPEC 108-137013	RESTRICTED TO	
TOLERANCES UNLESS OTHERWISE SPECIFIED: 0 PLC ± 1 PLC ± 2 PLC ± 3 PLC ± 4 PLC ± ANGLES ± FINISH ±		APPLICATION SPEC 114-137013	SIZE A2	CAGE CODE 00779
MATERIAL		WEIGHT	DRAWING NO T12X01601XX000	
		Customer Drawing	SCALE 1:1	SHEET 2 OF 2
			REV A1	

X-ON Electronics

Largest Supplier of Electrical and Electronic Components

Click to view similar products for [IC & Component Sockets](#) category:

Click to view products by [TE Connectivity](#) manufacturer:

Other Similar products are found below :

[714-43-102-31-012000](#) [0066-3-17-15-30-14-02-0](#) [0134-0-15-15-32-27-04-0](#) [614-DG5](#) [6527-0-00-15-00-00-03-0](#) [670](#) [672](#) [673](#) [712-93-120-41-001000](#) [714-93-104-31-018000](#) [8059-4G1-LF](#) [807-22-001-10-001101](#) [807-22-001-10-003101](#) [807-22-001-10-004101](#) [807-22-001-10-006101](#) [807-22-001-30-011101](#) [807-22-001-30-012101](#) [807-22-001-30-013101](#) [807-22-001-30-014101](#) [8-1437531-4](#) [8150-6P10](#) [833-93-034-10-001000](#) [835-43-014-10-001000](#) [851-41-006-10-001000](#) [851-43-008-20-001000](#) [851-43-014-20-001000](#) [851-93-006-20-001000](#) [851-93-010-20-001000](#) [852-10-026-10-001000](#) [853-43-020-10-001000](#) [86.010.0053.0](#) [116-43-306-41-003000](#) [116-43-308-41-007000](#) [116-87-308-41-007101](#) [PX-68LCC](#) [PX-84LCC](#) [121-13-318-41-001000](#) [121-13-320-41-001000](#) [121-13-308-41-001000](#) [123-43-314-41-801000](#) [123-43-420-41-001000](#) [123-43-636-41-001000](#) [123-87-320-41-001101](#) [122-13-316-41-001000](#) [123-13-624-41-001000](#) [123-43-306-41-001000](#) [123-43-322-41-801000](#) [123-43-428-41-001000](#) [123-43-624-41-001000](#) [12-3513-11](#)