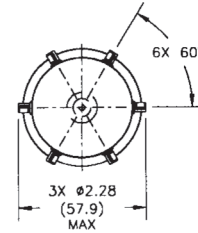
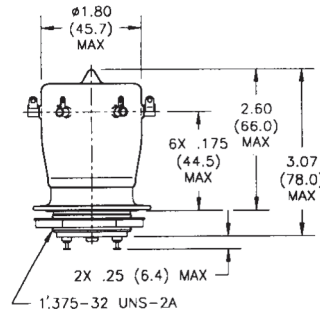
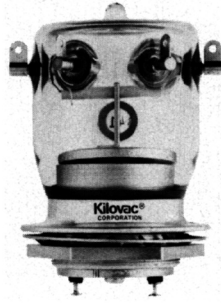


H-19/17 Series Make & Break Load Switching — 20/25 kV Relays

H-19

Product Facts

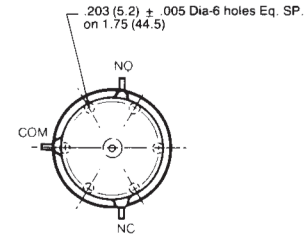
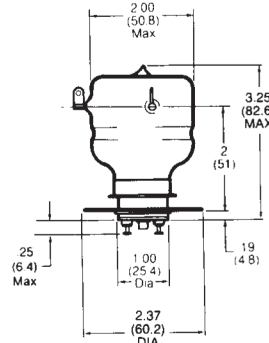
- 20 kV operating voltage
- Vacuum dielectric and tungsten contacts for power switching low current loads
- Double pole, double throw contacts
- Available with corona shield connectors
- Meets requirements of MIL-R-83725



H-17

Product Facts

- Will isolate 12 kV at 32 MHz
- Tungsten contacts suitable for power switching low current loads
- Available with corona shield connectors
- Meets requirements of MIL-R-83725
- QPL version available, M83725/2



Product Specifications for H-19 and H-17

Contact Arrangement —

H-19 — DPDT
H-17 — SPDT

Contact Form —

H-19 — 2C
H-17 — C

Test Voltage, DC or 60 Hz (Peak) —

H-19 — 25 kV
H-17 — 30 kV

Rated Operating Voltage (Peak) —

DC or 60 Hz — H-19 — 20 kV
H-17 — 25 kV

2.5 MHz — H-19 — 15 kV
H-17 — 20 kV

16 MHz — H-19 — 10 kV
H-17 — 15 kV

32 MHz — H-19 — 7 kV
H-17 — 12 kV

Continuous Carry Current, Max. —

DC or 60 Hz — 30 A
2.5 MHz — H-19 — 18 A
H-17 — 16 A

16 MHz — H-19 — 9 A
H-17 — 10 A
32 MHz — H-19 — 6 A
H-17 — 8 A
Coil Hi-Pot (Vrms, 60 Hz) — 500 A

Contact Capacitance —
Between Open Contacts — 1 pF
Open Contacts to Ground — 2.5 pF

Contact Resistance, Max. —
0.015 ohm

Operate Time, Max. —

H-19 — 30 ms
H-17 — 25 ms

Release Time, Max. —

H-19 — 20 ms
H-17 — 25 ms

Shock, 11ms, 1/2 Sine (Peak) —

H-19 — 30 g
H-17 — 20 g

Vibration —

Peak — 10 g (55 to 500 Hz)

Operating Ambient Temperature Range —

-55°C to +125°C

Mechanical Life —

1 million cycles

Weight, Nominal —

H-19 — 241 g (8.5 oz.)
H-17 — 198.4 g (7 oz.)

For factory-direct application assistance, dial 800-253-4560, ext. 2055, or 805-220-2055.

Coil Data

Nominal Volts DC	12 Vdc	26.5 Vdc	115 Vdc
Pickup, Max.	8 Vdc	16 Vdc	80 Vdc
Dropout	.5-5 Vdc	1-10 Vdc	5-50 Vdc
Coil Resistance (±10%)			
H-19	48 Ω	225 Ω	2100 Ω
H-17	24 Ω	120 Ω	2900 Ω

Ratings listed are for 25°C, sea level conditions

Ordering Information

Sample Part Number ▶

Series: _____

Model: _____

H-19
H-17

Coil Voltage: _____

Blank = 26.5 Vdc
/12Vdc = 12 Vdc
/115Vdc = 115 Vdc

H- 17 /12Vdc

X-ON Electronics

Largest Supplier of Electrical and Electronic Components

Click to view similar products for [Industrial Relays](#) category:

Click to view products by [TE Connectivity](#) manufacturer:

Other Similar products are found below :

[6-1617801-8](#) [6-1618107-9](#) [7-1618273-3](#) [EV250-4A-02](#) [EV250-6A-01](#) [FCA-125-CX8](#) [FCA-325-159](#) [FCA-410-138](#) [8000-S3121](#) [8-1618273-6](#)
[8-1618393-1](#) [GCA63A220VAC60HZ](#) [GCA63A277VAC60HZ](#) [GCA63A600VAC60HZ](#) [1-1672275-3](#) [1-1833005-4](#) [H-16/S1](#) [A711Z](#) [H-8C](#)
[H-8/S11](#) [H-8/S68](#) [ACC530U20](#) [ACC730U30](#) [RF303ZM4-12](#) [DH18DA](#) [1423675-8](#) [AR4-15F13-C01](#) [AR7-41F11](#) [AVR907](#) [15732A200](#)
[B07B032AC1-0329](#) [B329](#) [B490A](#) [1618279-1](#) [BHR124Y](#) [1810DDB-SX](#) [N417](#) [P30C42A12D1-120](#) [2-1617748-6](#) [2-1618375-1](#) [2-1618396-6](#)
[2-1618398-1](#) [JMAPD-5XL](#) [JMGACD-5M](#) [JMGSC-5LW](#) [JMGSCD-5L](#) [PBO-18A1218](#) [PBO-40A3040](#) [K8DSPH1200480VAC](#) [KA-3C-12A](#)