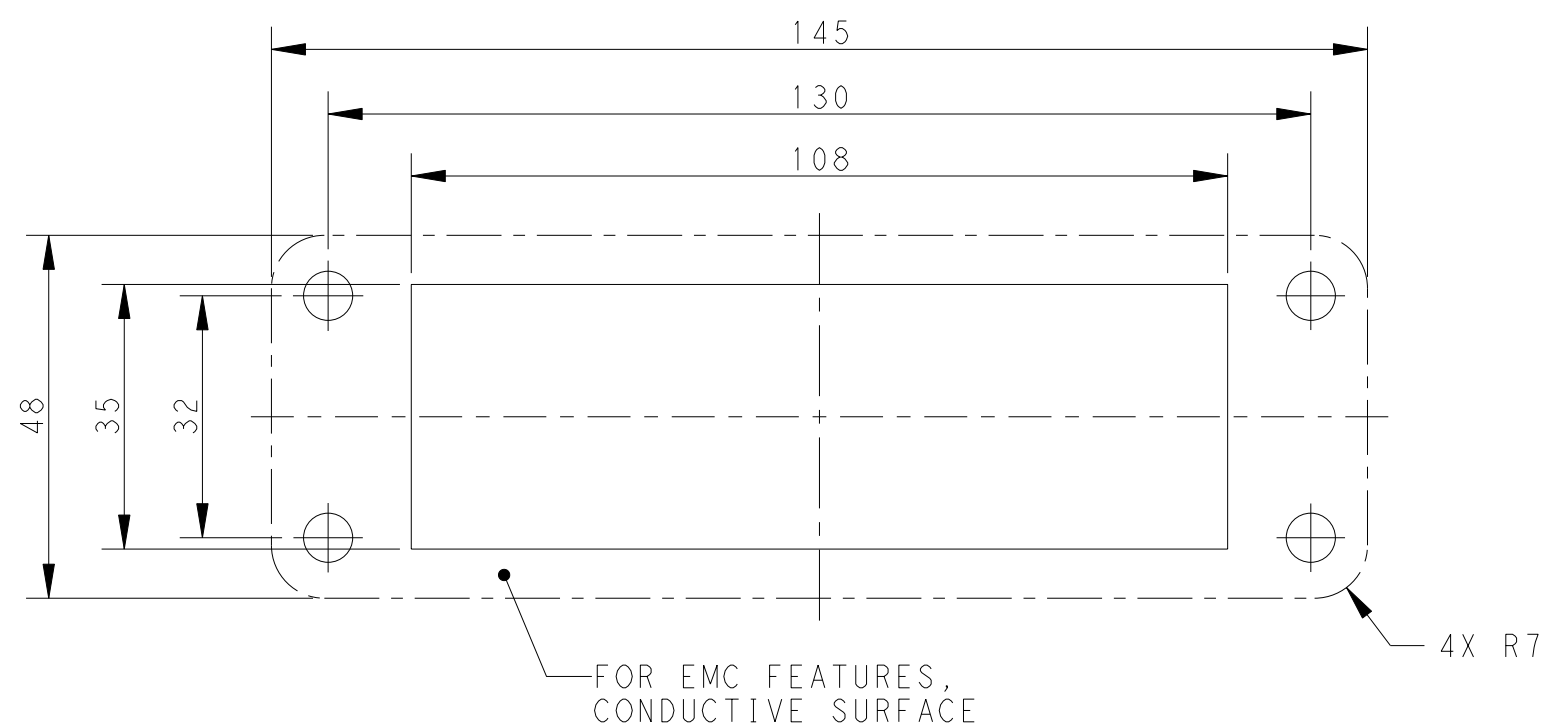
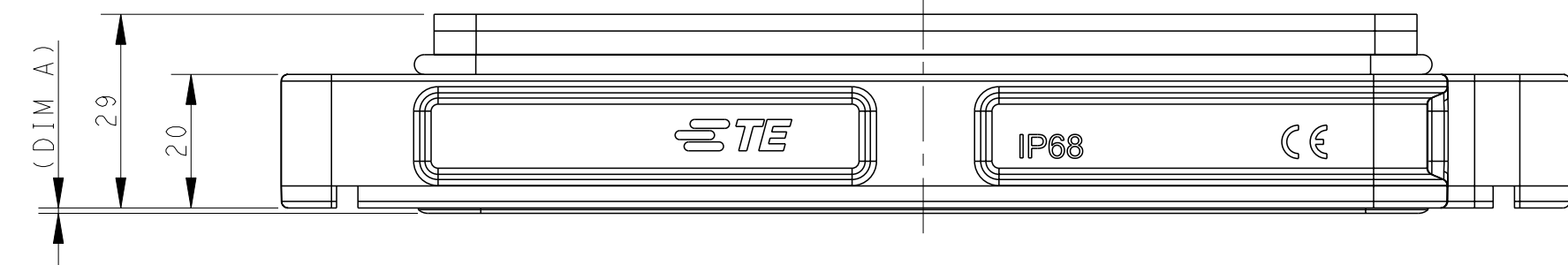
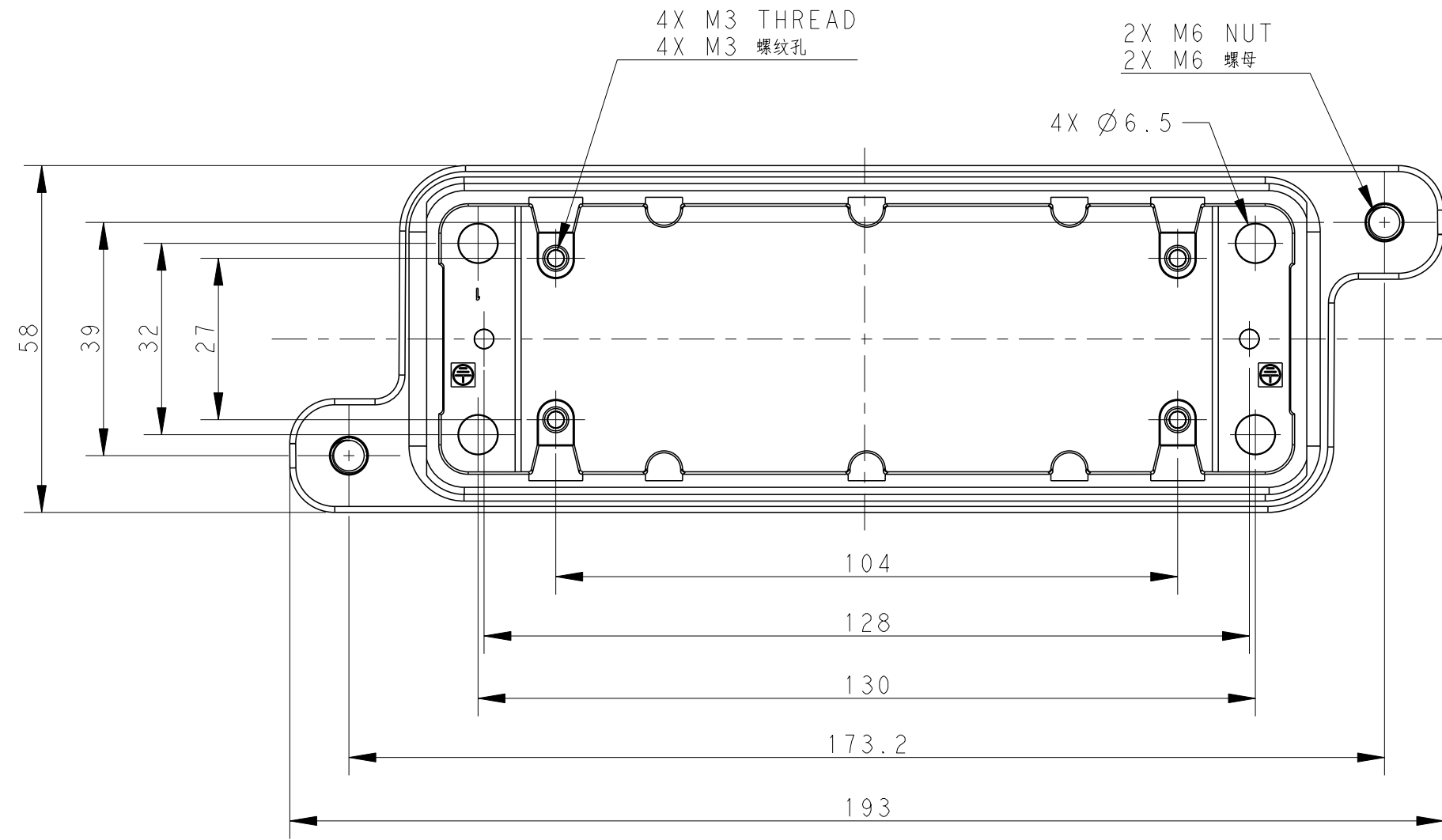
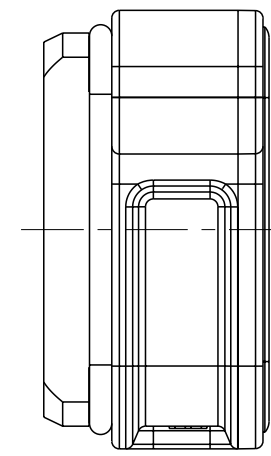


THIS DRAWING IS UNPUBLISHED. RELEASED FOR PUBLICATION 20  
 © COPYRIGHT 20 BY - ALL RIGHTS RESERVED.

REVISIONS					
P	LTR	DESCRIPTION	DATE	DWN	APVD
A		INITIAL RELEASE	24AUG2016	DW	CW
A1		ECR-19-002423	15FEB2019	CD	CW
B		ECR-20-016312	04JUN2021	BS	CW

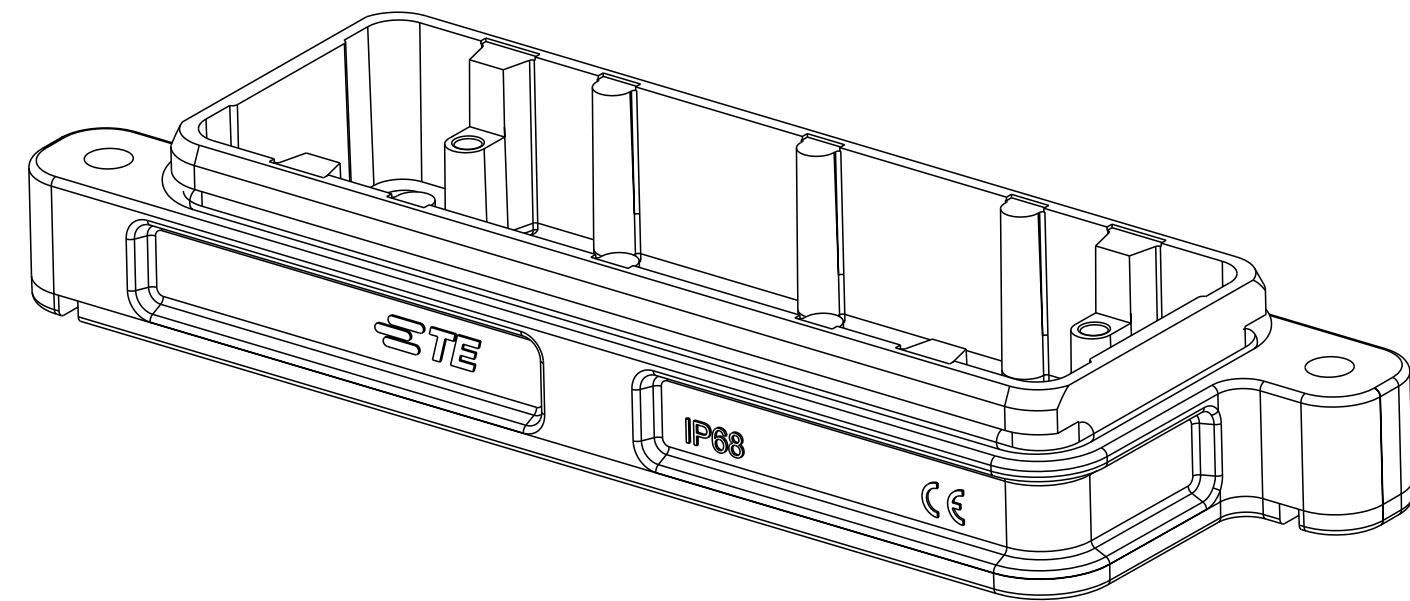


Panel Cut Out Dimension, Only for Reference  
 面板开口尺寸, 仅供参考



NOTES:  
 1. TECHNICAL CHARACTERISTICS:  
 HOUSING MATERIAL: DIE CAST ALUMINIUM ALLOY  
 SURFACE: SEE TABLE  
 DEGREE OF PROTECTION: IP68 (MATED)

注释:  
 1. 技术参数:  
 壳体材料: 铝合金  
 表面处理: 见表格  
 防护等级: IP68 (配合)



T1930240000-109	H24BPR-AG-EMC-C	H24BPR HOUSING, DIAGONAL LOCKING, BULKHEAD MOUNTED THICKER GASKET, PASSIVATION+POWDER COATED, BLACK H24BPR下壳, 对角锁定, 开孔安装, 加厚密封垫, 钝化+黑色粉末喷涂	1.2
T1930242000-009	H24BPR-AG-EMC-C	H24BPR HOUSING, DIAGONAL LOCKING, BULKHEAD MOUNTED PASSIVATION+POWDER COATED, GREY H24BPR下壳, 对角锁定, 开孔安装, 钝化+灰色粉末喷涂	0.8
T1930241000-009	H24BPR-AG-EMC-C	H24BPR HOUSING, DIAGONAL LOCKING, BULKHEAD MOUNTED PASSIVATION+POWDER COATED, SILVER WHITE H24BPR下壳, 对角锁定, 开孔安装, 钝化+银白色粉末喷涂	0.8
T1930240000-009	H24BPR-AG-EMC-C	H24BPR HOUSING, DIAGONAL LOCKING, BULKHEAD MOUNTED PASSIVATION+POWDER COATED, BLACK H24BPR下壳, 对角锁定, 开孔安装, 钝化+黑色粉末喷涂	0.8
PART NUMBER 料号	DESCRIPTION 描述		DIM A 尺寸 A

THIS DRAWING IS A CONTROLLED DOCUMENT.

DWN: 24AUG2016 DAVID WANG  
 CHK: 24AUG2016 CHRIS WANG  
 APVD: 24AUG2016 XIANG XU

TE Connectivity

NAME: H24BPR-AG-EMC-C

PRODUCT SPEC: 108-137191  
 APPLICATION SPEC: 114-137191

SIZE: A2 CAGE CODE: - DRAWING NO: C-T193024XXXXX09 RESTRICTED TO: B

MATERIAL: - TOLERANCES UNLESS OTHERWISE SPECIFIED: DIMENSIONS: mm

0 PLC	±
1 PLC	±
2 PLC	±
3 PLC	±
4 PLC	±
ANGLES	±
FINISH	-

WEIGHT: -  
 CUSTOMER DRAWING SCALE: 1:1 SHEET: 1 OF 1 REV: B

Printed on 8 Jun 2021 09:33 (China Standard Time) from TE236667

## X-ON Electronics

Largest Supplier of Electrical and Electronic Components

*Click to view similar products for [Heavy Duty Power Connectors](#) category:*

*Click to view products by [TE Connectivity](#) manufacturer:*

Other Similar products are found below :

[647757-1](#) [6643411-1](#) [6646058-2](#) [6646137-1](#) [6646138-1](#) [6646479-1](#) [6646608-1](#) [6646786-1](#) [6646940-1](#) [6651091-1](#) [6651525-1](#) [6651529-1](#)  
[6651788-1](#) [696475-1](#) [702-32-01109](#) [703-25-02205](#) [73000005059](#) [73000005642](#) [73080255059](#) [73080965046](#) [765-15-0080A](#) [765-16-0080B](#)  
[765-18-0080D](#) [829992-1](#) [902-77-02113](#) [PS00/A0620/6300](#) [PS25/A0420/63](#) [129-1J](#) [1409400](#) [AN0024023](#) [E6374G1](#) [e6389g2](#) [157-43GW8](#)  
[MS3117-14AC](#) [1643543-1](#) [1650540-1](#) [1651811-2](#) [1766260-1](#) [1766282-1](#) [1766966-1](#) [1791340000](#) [NLDFT-3-BL-L-S120-M40A](#) [NLDFT-N-](#)  
[W-L-C240-M40B](#) [NLS-2-R-C240-M40B](#) [NLS-N-W-C240-M40B](#) [NPS-3-BL-T6](#) [1986615-1](#) [2-1589900-8](#) [2199314-1](#) [KA8102](#)