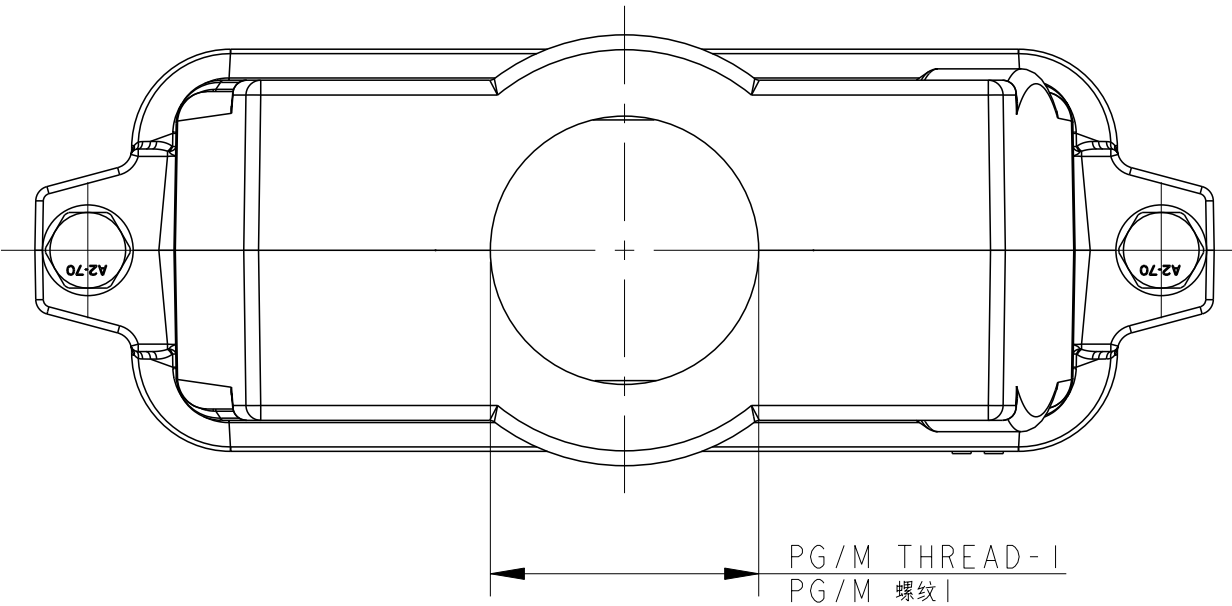
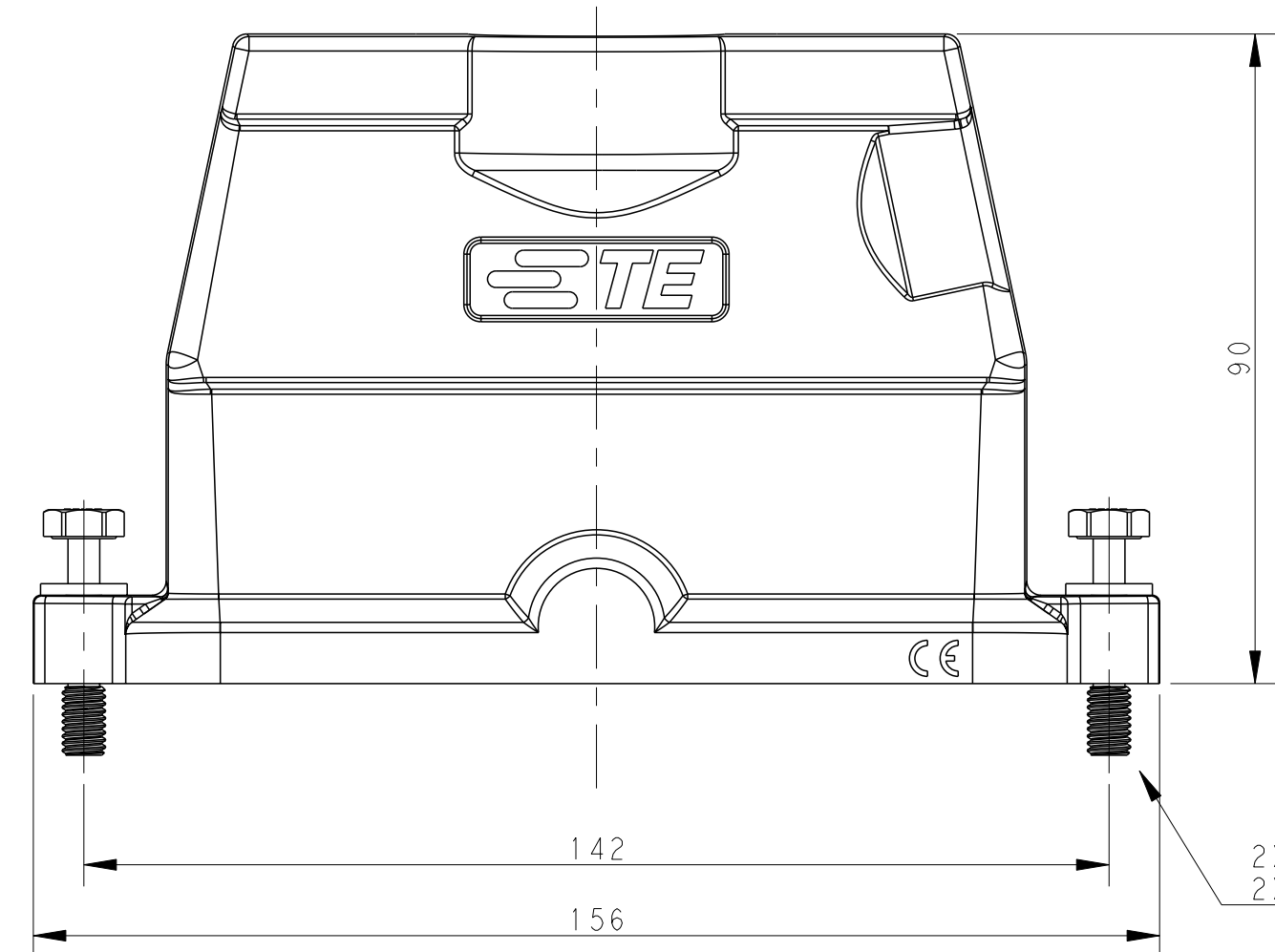


TYPE 1 类型 1

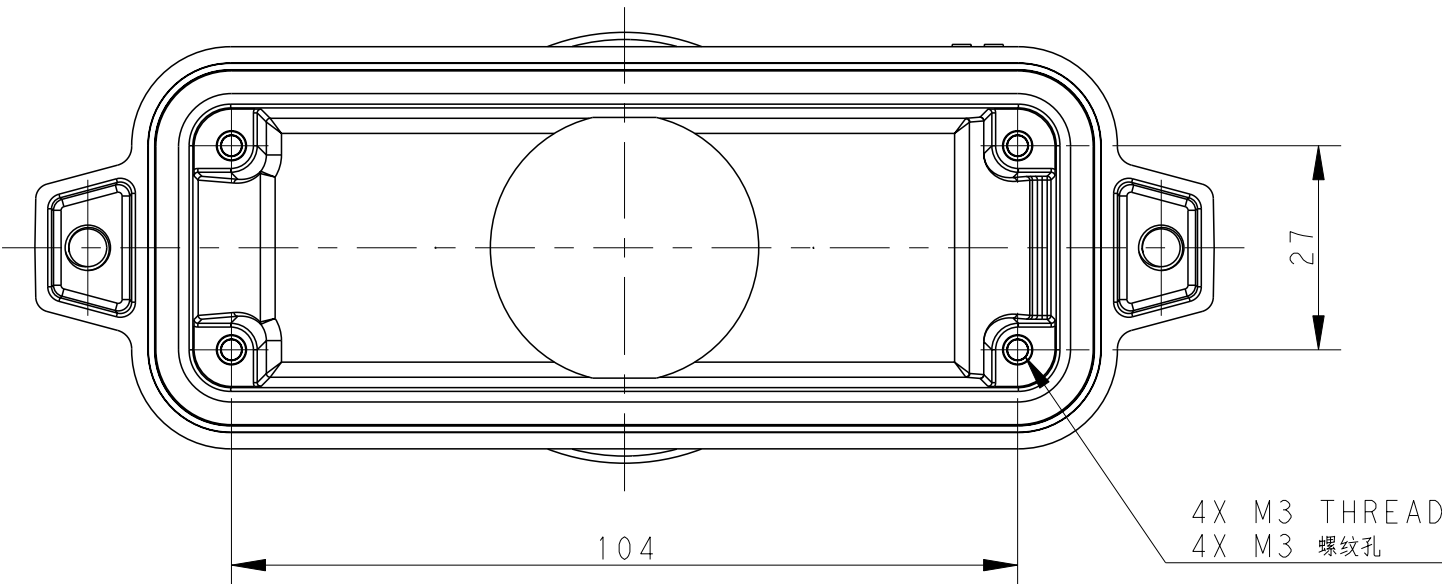
Single PG/M thread
单个 PG/M 螺纹孔



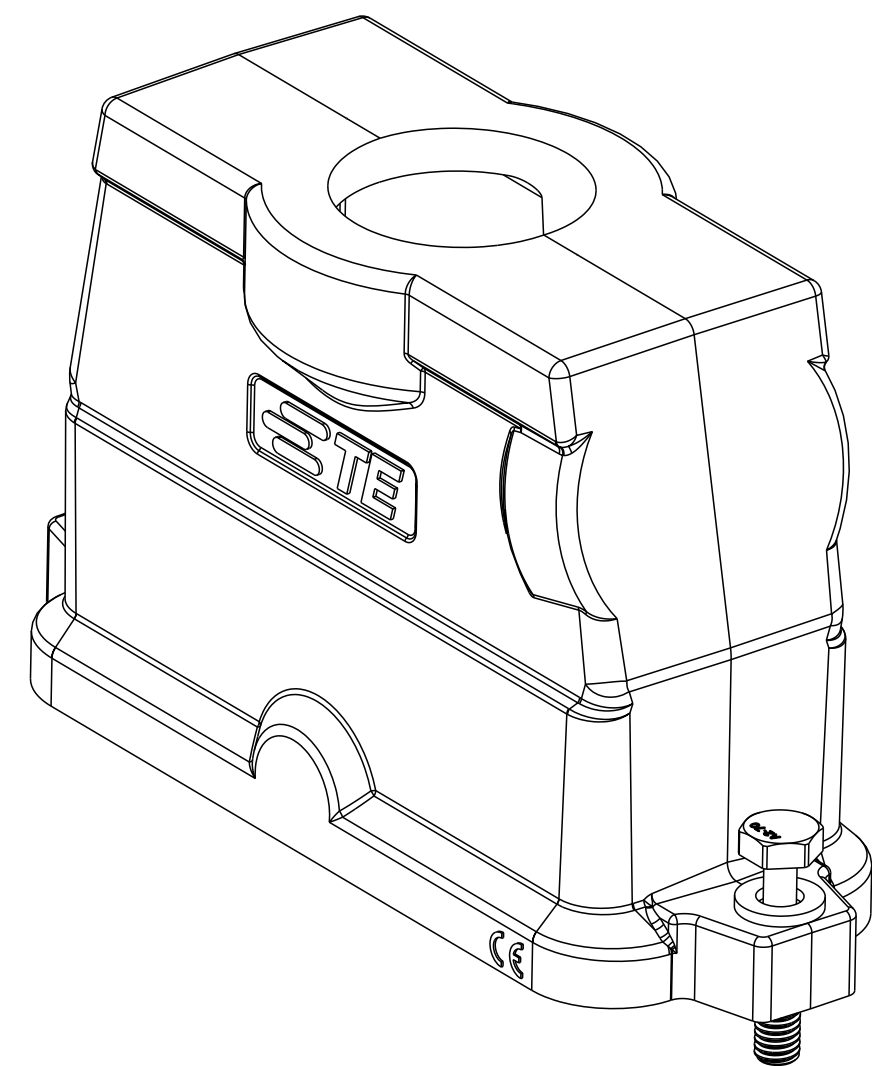
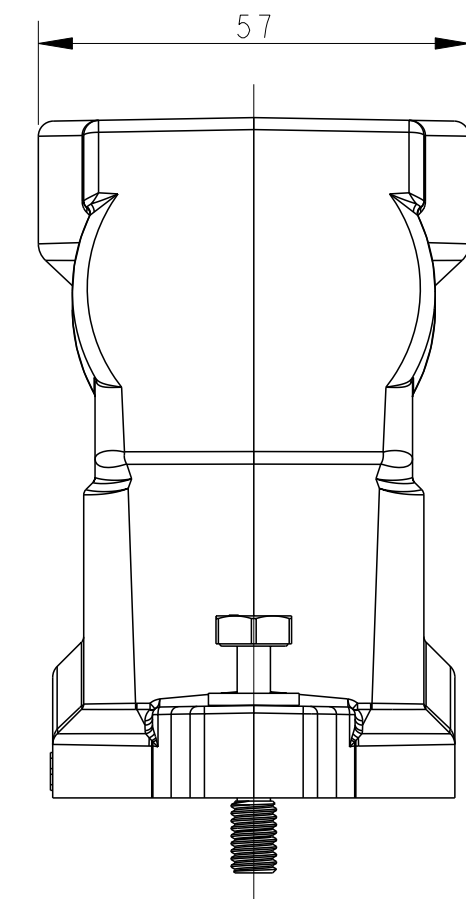
PG/M THREAD-1
PG/M 螺纹1



2X M6 SCREW
2X M6 螺丝

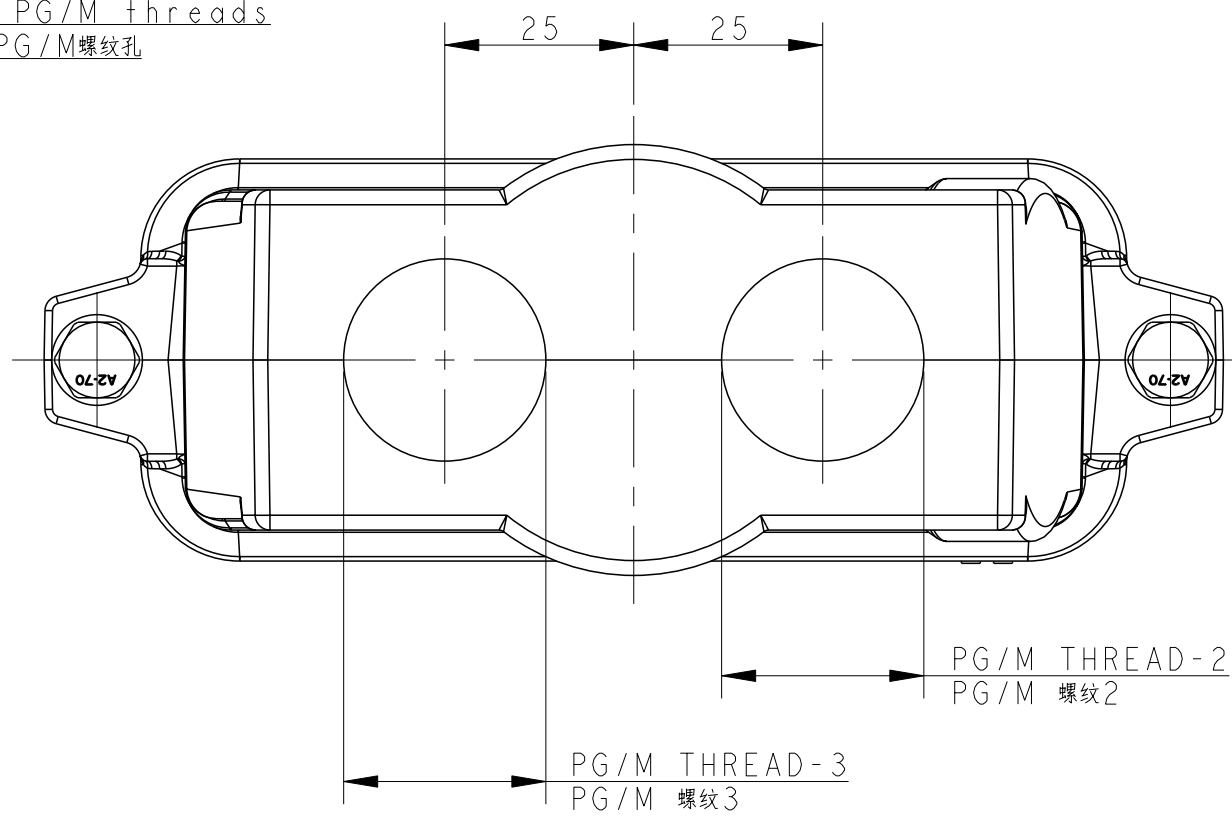


4X M3 THREAD
4X M3 螺纹孔



TYPE 2 类型 2

Two PG/M threads
两个 PG/M 螺纹孔



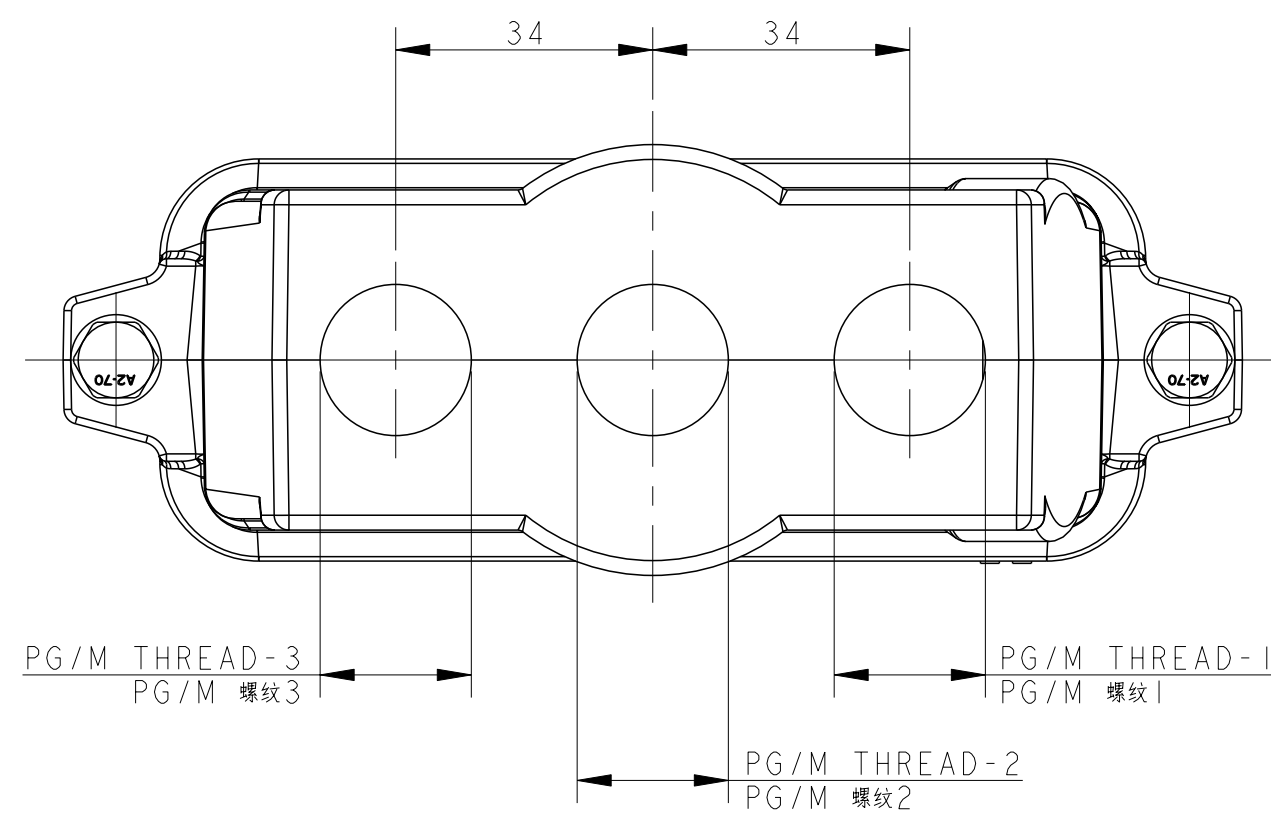
PG/M THREAD-2
PG/M 螺纹2

PG/M THREAD-3
PG/M 螺纹3

All dimension is same as TYPE 1, except those defined in this TYPE
除了在本类型中定义的尺寸外, 其他尺寸同类型 1

TYPE 3 类型 3

Three PG/M threads
三个 PG/M 螺纹孔



PG/M THREAD-1
PG/M 螺纹1

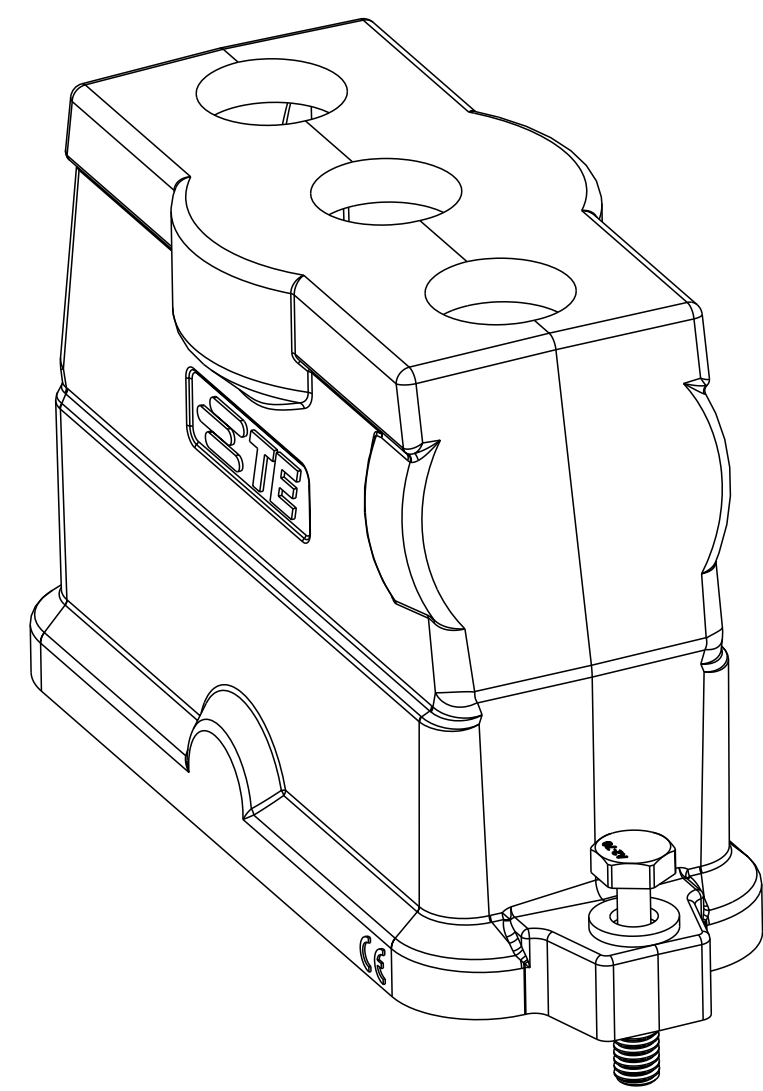
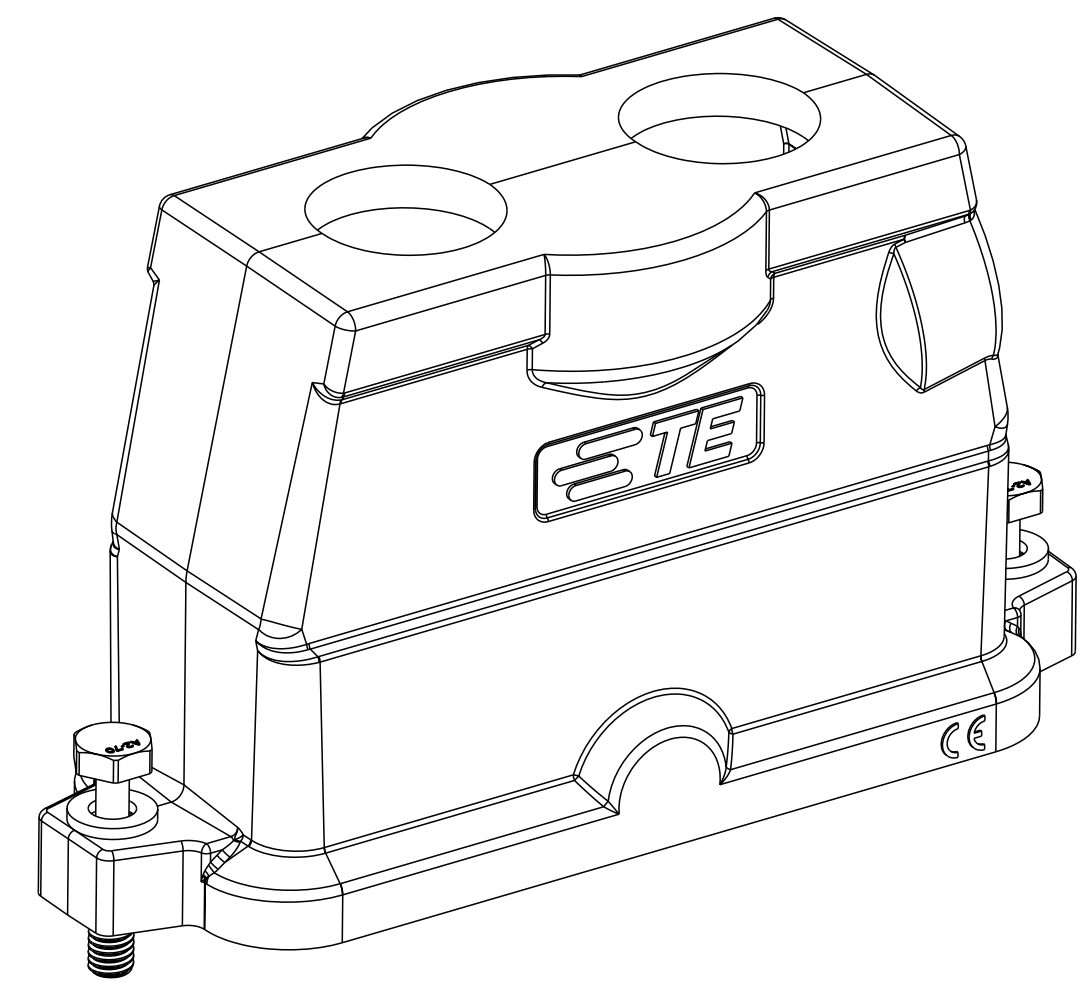
PG/M THREAD-2
PG/M 螺纹2

All dimension is same as TYPE 1, except those defined in this TYPE
除了在本类型中定义的尺寸外, 其他尺寸同类型 1

REVISIONS				
#	LY#	DESCRIPTION	DATE	APPV
A		INITIAL RELEASE	07JUN2016	DW CW
A1		ECR-17-018159	13DEC2017	RL CW
A2		ECR-18-012258	01AUG2018	DW CW
B		ECR-20-016312	03JUN2021	BS CW

NOTES:
1. TECHNICAL CHARACTERISTICS:
HOOD MATERIAL: DIE CAST ALUMINIUM ALLOY
SURFACE TREATMENT: SEE TABLE
DEGREE OF PROTECTION: IP68 (MATED)

注释:
1. 技术参数:
壳体材料: 铝合金
表面处理: 见表格
防护等级: IP68 (配合)




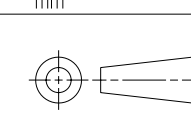
THIS DRAWING IS A CONTROLLED DOCUMENT.		OWN: DAVID WANG 07JUN2016	TE Connectivity NAME: H24BPR-TGHC-PG/M-EMC-C
DIMENSIONS:		CHK: CHRIS WANG 07JUN2016	
mm	0 PLC ±	APV: XIANG XU 07JUN2016	PRODUCT SPEC
	1 PLC ±	108-137191	APPLICATION SPEC
	2 PLC ±	114-137191	SIZE: A1
	3 PLC ±		CAGE CODE: -
	4 PLC ±		DRAWING NO: C-T192224XXXXX09
MATERIAL:	FINISH:	WEIGHT:	RESTRICTED TO
CUSTOMER DRAWING		SCALE: 1:1	SHEET 1 OF 2 REV B

THIS DRAWING IS UNPUBLISHED. RELEASED FOR PUBLICATION 20
 © COPYRIGHT 20 BY ALL RIGHTS RESERVED.

REVISIONS				
#	LY#	DESCRIPTION	DATE	OWN APVD
-	-	SEE SHEET 1	-	-

NOTES:
SEE SHEET 1

PART NUMBER	DESCRIPTION	PG/M THREAD-3	PG/M THREAD-2	PG/M THREAD-1	TYPE
T1922240320-009	H24BPR-TGHC-3M20-EMC-C H24BPR HOOD,CENTER LOCKING, TOP ENTRY 3M20, BLACK H24BPR上壳, 中部锁定, 顶出3M20, 黑色	M20	M20	M20	TYPE 3 类型3
T1922241221-009	H24BPR-TGHC-2PG21-EMC-C H24BPR HOOD,CENTER LOCKING, TOP ENTRY 2PG21, SILVER WHITE H24BPR上壳, 中部锁定, 顶出2PG21, 银白色	PG21	PG21	-	TYPE 2 类型2
T1922242150-009	H24BPR-TGHC- M50-EMC-C H24BPR HOOD,CENTER LOCKING, TOP ENTRY M50, GREY H24BPR上壳, 中部锁定, 顶出M50, 灰色	-	-	M50	TYPE 1 类型1
T1922241140-009	H24BPR-TGHC-M40-EMC-C H24BPR HOOD,CENTER LOCKING, TOP ENTRY M40, SILVER WHITE H24BPR上壳, 中部锁定, 顶出M40, 银白色	-	-	M40	
T1922241136-009	H24BPR-TGHC-PG36-EMC-C H24BPR HOOD,CENTER LOCKING, TOP ENTRY PG36, SILVER WHITE H24BPR上壳, 中部锁定, 顶出PG36, 银白色	-	-	PG36	
T1922241132-009	H24BPR-TGHC-M32-EMC-C H24BPR HOOD,CENTER LOCKING, TOP ENTRY M32, SILVER WHITE H24BPR上壳, 中部锁定, 顶出M32, 银白色	-	-	M32	
T1922241129-009	H24BPR-TGHC-PG29-EMC-C H24BPR HOOD,CENTER LOCKING, TOP ENTRY PG29, SILVER WHITE H24BPR上壳, 中部锁定, 顶出PG29, 银白色	-	-	PG29	
T1922241125-009	H24BPR-TGHC-M25-EMC-C H24BPR HOOD,CENTER LOCKING, TOP ENTRY M25, SILVER WHITE H24BPR上壳, 中部锁定, 顶出M25, 银白色	-	-	M25	
T1922241121-009	H24BPR-TGHC-PG21-EMC-C H24BPR HOOD,CENTER LOCKING, TOP ENTRY PG21, SILVER WHITE H24BPR上壳, 中部锁定, 顶出PG21, 银白色	-	-	PG21	
T1922240140-009	H24BPR-TGHC-M40-EMC-C H24BPR HOOD,CENTER LOCKING, TOP ENTRY M40, BLACK H24BPR上壳, 中部锁定, 顶出M40, 黑色	-	-	M40	
T1922240136-009	H24BPR-TGHC-PG36-EMC-C H24BPR HOOD,CENTER LOCKING, TOP ENTRY PG36, BLACK H24BPR上壳, 中部锁定, 顶出PG36, 黑色	-	-	PG36	
T1922240132-009	H24BPR-TGHC-M32-EMC-C H24BPR HOOD,CENTER LOCKING, TOP ENTRY M32, BLACK H24BPR上壳, 中部锁定, 顶出PG32, 黑色	-	-	M32	
T1922240129-009	H24BPR-TGHC-PG29-EMC-C H24BPR HOOD,CENTER LOCKING, TOP ENTRY PG29, BLACK H24BPR上壳, 中部锁定, 顶出PG29, 黑色	-	-	PG29	
T1922240125-009	H24BPR-TGHC-M25-EMC-C H24BPR HOOD,CENTER LOCKING, TOP ENTRY M25, BLACK H24BPR上壳, 中部锁定, 顶出M25, 黑色	-	-	M25	
T1922240121-009	H24BPR-TGHC-PG21-EMC-C H24BPR HOOD,CENTER LOCKING, TOP ENTRY PG21, BLACK H24BPR上壳, 中部锁定, 顶出PG21, 黑色	-	-	PG21	

THIS DRAWING IS A CONTROLLED DOCUMENT. DIMENSIONS: mm		TOLERANCES UNLESS OTHERWISE SPECIFIED:		OWN: DAVID WANG 07JUN2016	 TE Connectivity
		0 PLC ± 1 PLC ± 2 PLC ± 3 PLC ± 4 PLC ± ANGLES ± FINISH ±		CHK: CHRIS WANG 07JUN2016	
MATERIAL: -		FINISH: -		APVD: XIANG XU 07JUN2016	
CUSTOMER DRAWING		WEIGHT: -		NAME: H24BPR-TGHC-PG/M-EMC-C	
SCALE: 1:1		SHEET 2 OF 2		SIZE: A1 CAGE CODE: - DRAWING NO: T192224XXXXX09 RESTRICTED TO:	

X-ON Electronics

Largest Supplier of Electrical and Electronic Components

Click to view similar products for [Heavy Duty Power Connectors](#) category:

Click to view products by [TE Connectivity](#) manufacturer:

Other Similar products are found below :

[647757-1](#) [6643411-1](#) [6646058-2](#) [6646137-1](#) [6646138-1](#) [6646479-1](#) [6646608-1](#) [6646786-1](#) [6646940-1](#) [6651091-1](#) [6651525-1](#) [6651529-1](#)
[6651788-1](#) [696475-1](#) [702-32-01109](#) [703-25-02205](#) [73000005059](#) [73000005642](#) [73080255059](#) [73080965046](#) [765-15-0080A](#) [765-16-0080B](#)
[765-18-0080D](#) [829992-1](#) [902-77-02113](#) [PS00/A0620/6300](#) [PS25/A0420/63](#) [129-1J](#) [1409400](#) [AN0024023](#) [E6374G1](#) [e6389g2](#) [157-43GW8](#)
[MS3117-14AC](#) [1643543-1](#) [1650540-1](#) [1651811-2](#) [1766260-1](#) [1766282-1](#) [1766966-1](#) [1791340000](#) [NLDFT-3-BL-L-S120-M40A](#) [NLDFT-N-](#)
[W-L-C240-M40B](#) [NLS-2-R-C240-M40B](#) [NLS-N-W-C240-M40B](#) [NPS-3-BL-T6](#) [1986615-1](#) [2-1589900-8](#) [2199314-1](#) [KA8102](#)