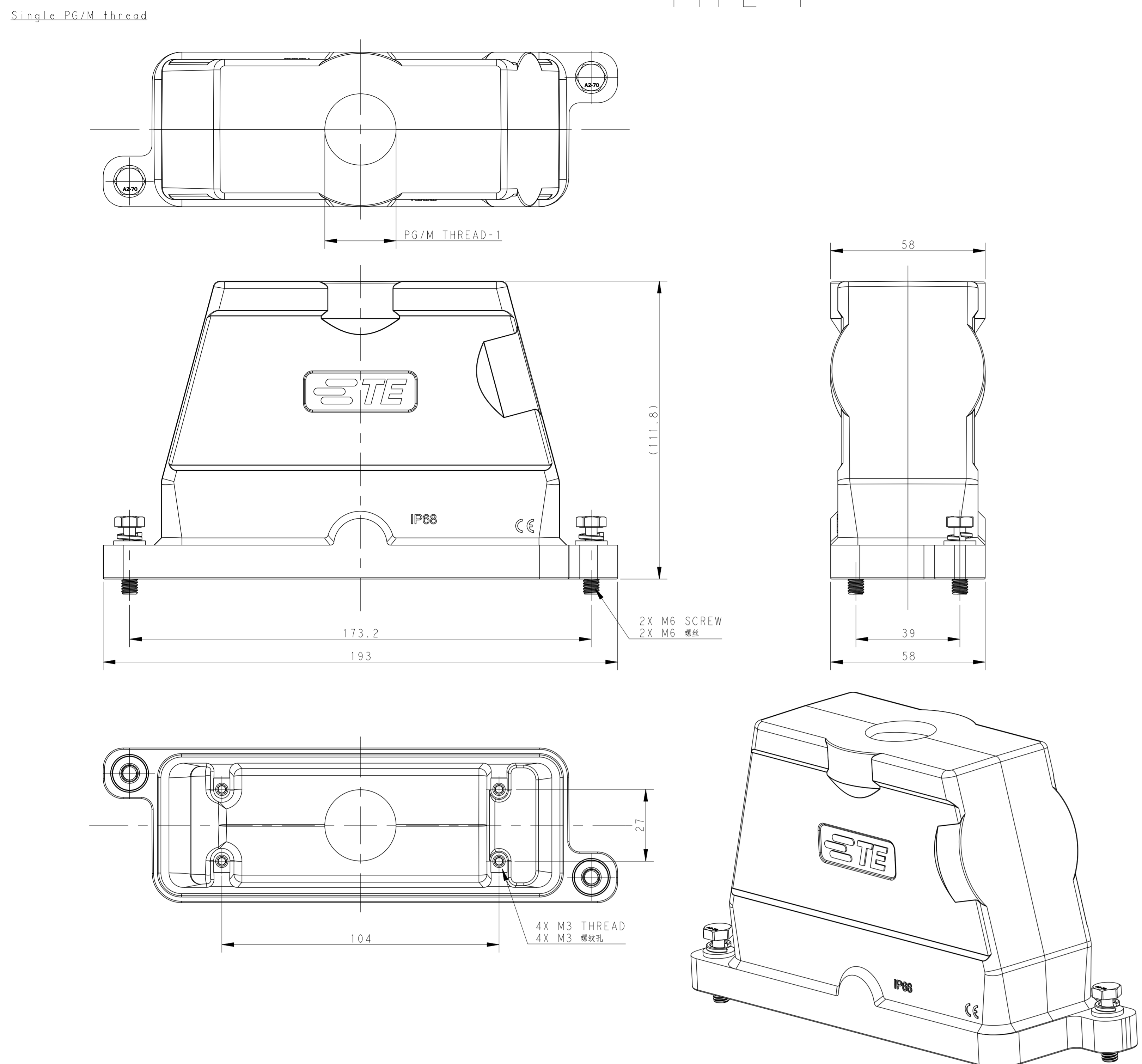
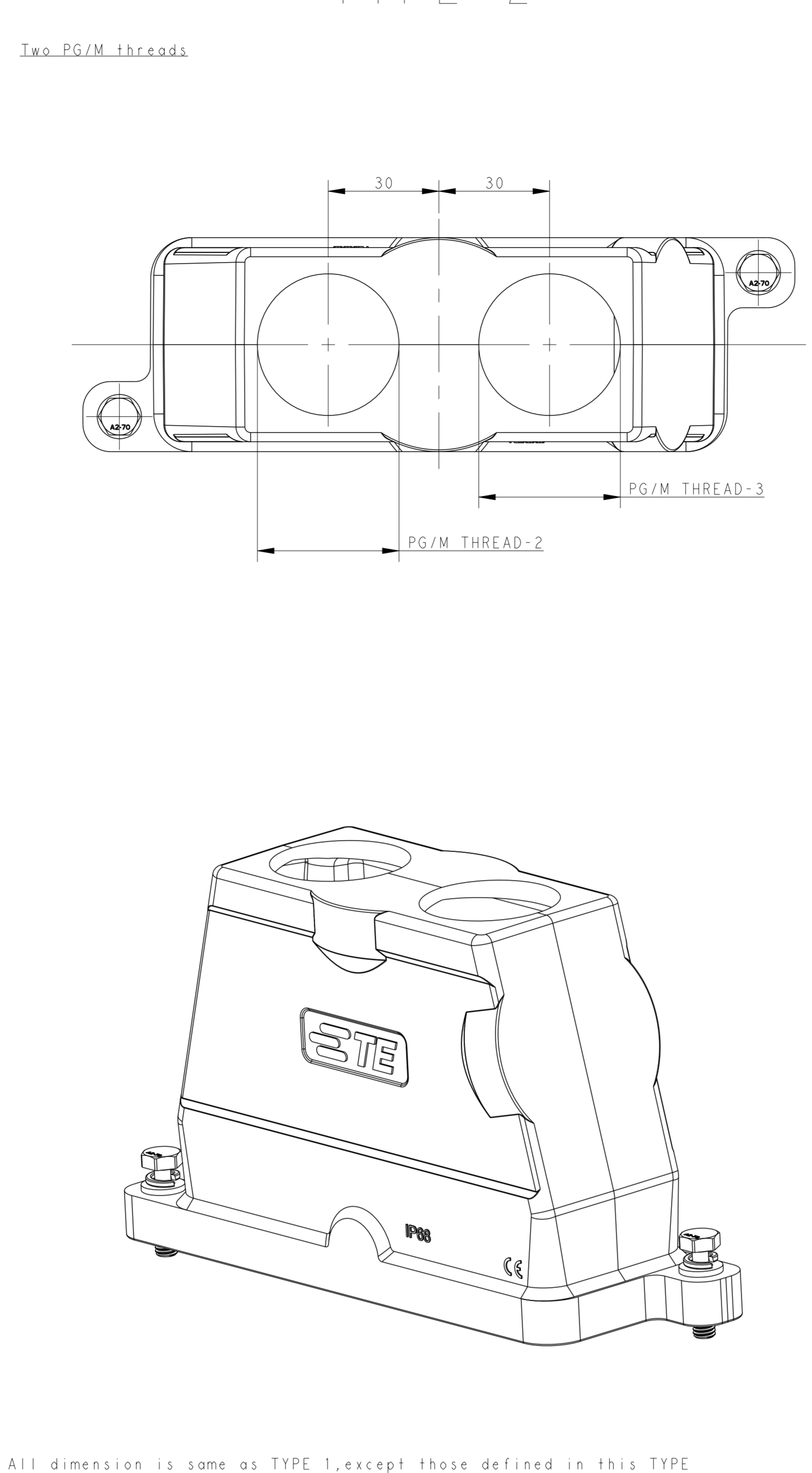


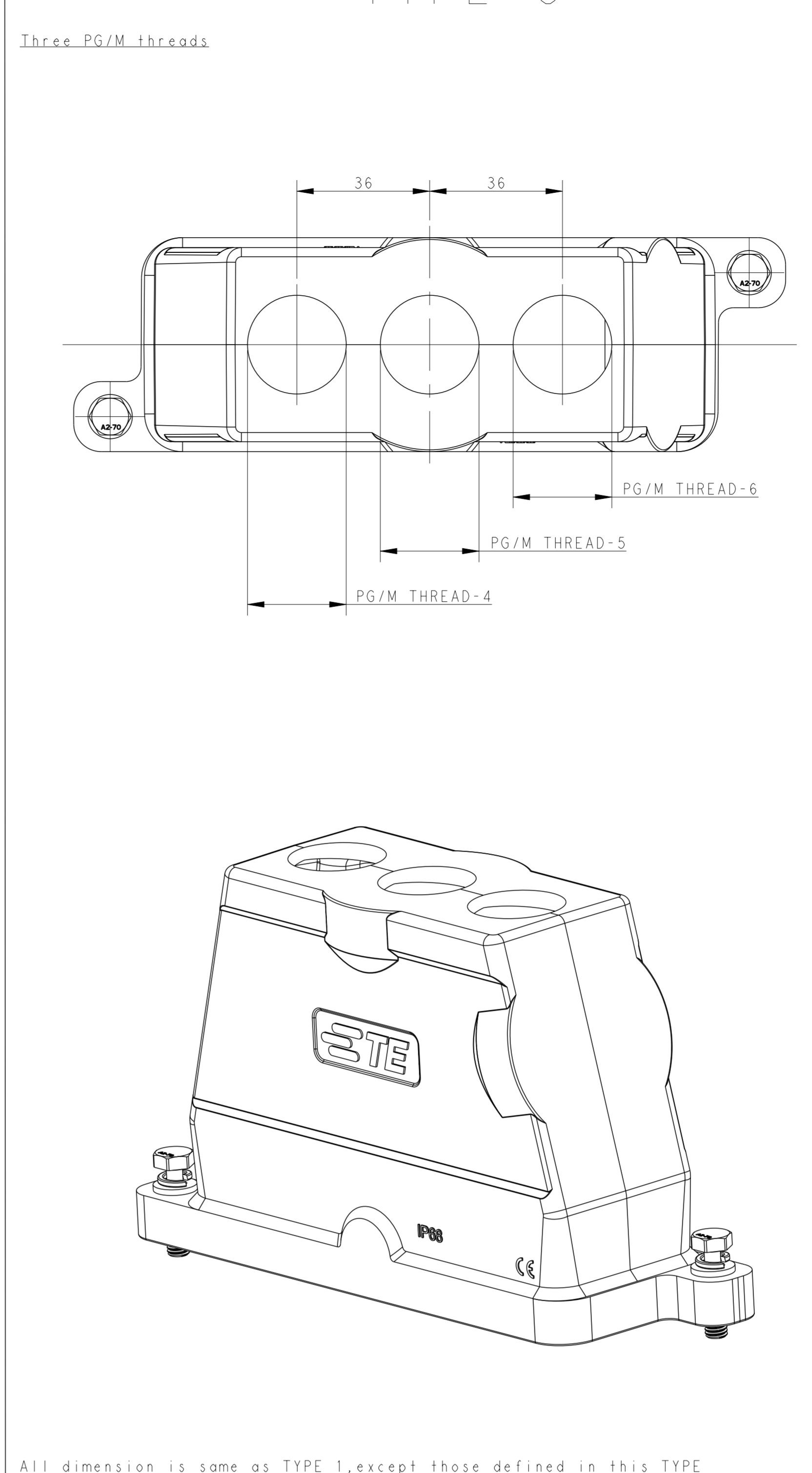
### TYPE 1



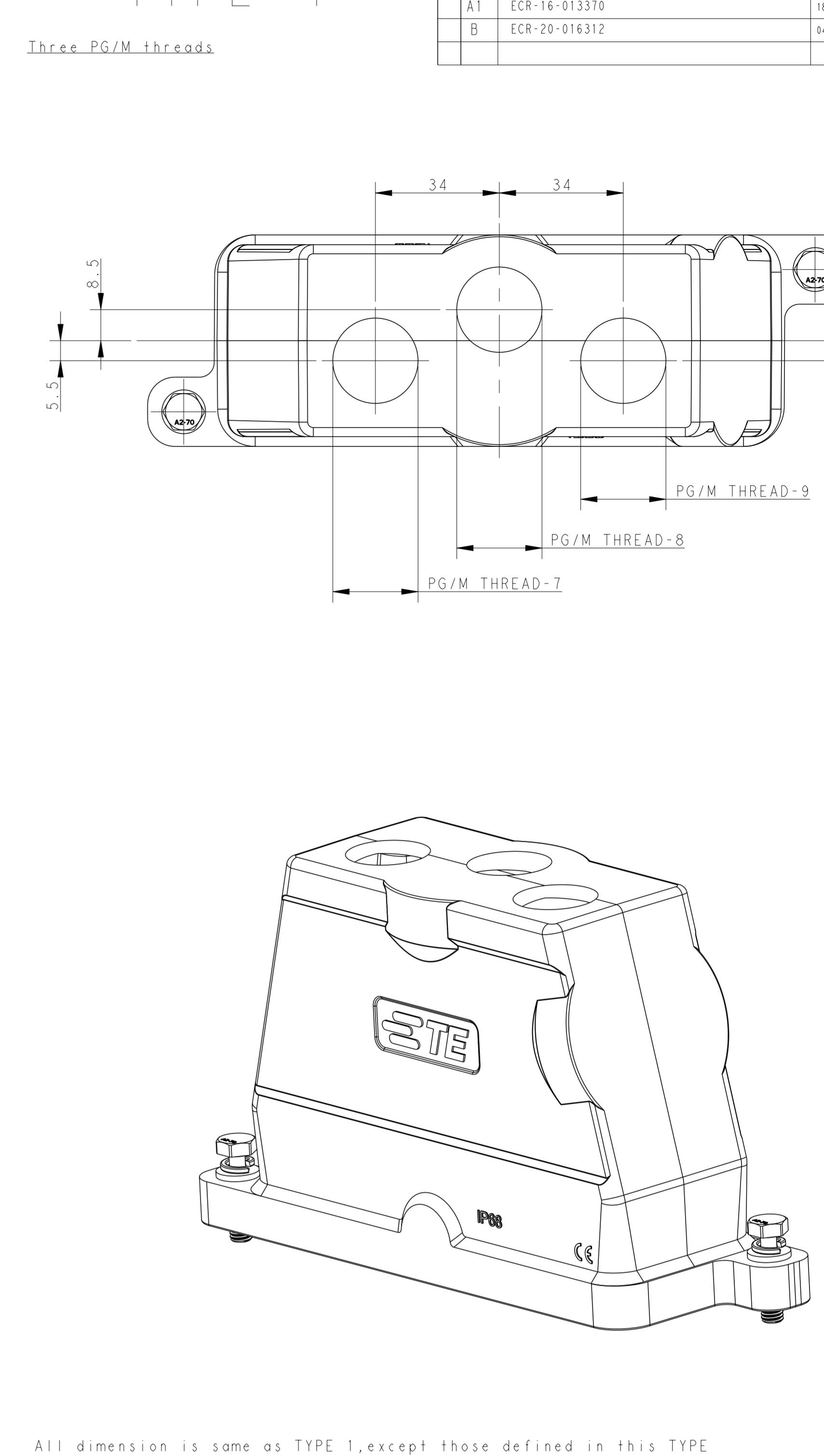
### TYPE 2



### TYPE 3



### TYPE 4



REVISIONS			
REV	DATE	BY	APP'D
A	20160214	DW	CW
A1	20160214	DW	CW
B	20160214	BS	CW

All dimension is same as TYPE 1, except those defined in this TYPE

All dimension is same as TYPE 1, except those defined in this TYPE

All dimension is same as TYPE 1, except those defined in this TYPE

NOTES:  
 1. TECHNICAL CHARACTERISTICS:  
 HOOD MATERIAL: DIE CAST ALUMINIUM ALLOY  
 SURFACE: SEE TABLE  
 DEGREE OF PROTECTION: IP68 (MATED)  
 注释:  
 1. 技术特性:  
 壳体材料: 铝合金  
 表面处理: 见表格  
 防护等级: IP68 (配合)

PART NUMBER	料号	DESCRIPTION	PG/M THREAD-9	PG/M THREAD-8	PG/M THREAD-7	PG/M THREAD-6	PG/M THREAD-5	PG/M THREAD-4	PG/M THREAD-3	PG/M THREAD-2	PG/M THREAD-1	TYPE
T1920240325-009	H24BPR-TGH-3M25-EMC-C	H24BPR HOOD, DIAGONAL LOCKING, TOP ENTRY 3M25, POWDER COATED,BLACK H24BPR对角锁定顶入壳3M25 黑色	M25	M25	M25	-	-	-	-	-	-	TYPE 4 类型4
T1920240321-009	H24BPR-TGH-3PG21-EMC-C	H24BPR HOOD, DIAGONAL LOCKING, TOP ENTRY 3PG21, POWDER COATED,BLACK H24BPR对角锁定顶入壳3PG21 黑色	-	-	-	PG21	PG21	PG21	-	-	-	TYPE 3 类型3
T1920241232-009	H24BPR-TGH-2M32-EMC-C	H24BPR HOOD, DIAGONAL LOCKING, TOP ENTRY 2M32, POWDER COATED,SILVER WHITE H24BPR对角锁定顶入壳2M32 银白色	-	-	-	-	-	-	M32	M32	-	TYPE 2 类型2
T1920240229-009	H24BPR-TGH-2PG29-EMC-C	H24BPR HOOD, DIAGONAL LOCKING, TOP ENTRY 2PG29, POWDER COATED,BLACK H24BPR对角锁定顶入壳2PG29 黑色	-	-	-	-	-	-	PG29	PG29	-	TYPE 2 类型2
T1920240240-009	H24BPR-TGH-2M40-EMC-C	H24BPR HOOD, DIAGONAL LOCKING, TOP ENTRY 2M40, POWDER COATED,BLACK H24BPR对角锁定顶入壳2M40 黑色	-	-	-	-	-	-	M40	M40	-	TYPE 2 类型2
T1920241140-009	H24BPR-TGH-M40-EMC-C	H24BPR HOOD, DIAGONAL LOCKING, TOP ENTRY M40, POWDER COATED,SILVER WHITE H24BPR对角锁定顶入壳M40 银白色	-	-	-	-	-	-	-	-	M40	TYPE 1 类型1
T1920241136-009	H24BPR-TGH-PG36-EMC-C	H24BPR HOOD, DIAGONAL LOCKING, TOP ENTRY PG36, POWDER COATED,SILVER WHITE H24BPR对角锁定顶入壳PG36 银白色	-	-	-	-	-	-	-	-	PG36	TYPE 1 类型1
T1920241132-009	H24BPR-TGH-M32-EMC-C	H24BPR HOOD, DIAGONAL LOCKING, TOP ENTRY M32, POWDER COATED,SILVER WHITE H24BPR对角锁定顶入壳M32 银白色	-	-	-	-	-	-	-	-	M32	TYPE 1 类型1
T1920241129-009	H24BPR-TGH-PG29-EMC-C	H24BPR HOOD, DIAGONAL LOCKING, TOP ENTRY PG29, POWDER COATED,SILVER WHITE H24BPR对角锁定顶入壳PG29 银白色	-	-	-	-	-	-	-	-	PG29	TYPE 1 类型1
T1920241125-009	H24BPR-TGH-M25-EMC-C	H24BPR HOOD, DIAGONAL LOCKING, TOP ENTRY M25, POWDER COATED,SILVER WHITE H24BPR对角锁定顶入壳M25 银白色	-	-	-	-	-	-	-	-	M25	TYPE 1 类型1
T1920241121-009	H24BPR-TGH-PG21-EMC-C	H24BPR HOOD, DIAGONAL LOCKING, TOP ENTRY PG21, POWDER COATED,SILVER WHITE H24BPR对角锁定顶入壳PG21 银白色	-	-	-	-	-	-	-	-	PG21	TYPE 1 类型1
T1920240140-009	H24BPR-TGH-M40-EMC-C	H24BPR HOOD, DIAGONAL LOCKING, TOP ENTRY M40, POWDER COATED,BLACK H24BPR对角锁定顶入壳M40 黑色	-	-	-	-	-	-	-	-	M40	TYPE 1 类型1
T1920240136-009	H24BPR-TGH-PG36-EMC-C	H24BPR HOOD, DIAGONAL LOCKING, TOP ENTRY PG36, POWDER COATED,BLACK H24BPR对角锁定顶入壳PG36 黑色	-	-	-	-	-	-	-	-	PG36	TYPE 1 类型1
T1920240132-009	H24BPR-TGH-M32-EMC-C	H24BPR HOOD, DIAGONAL LOCKING, TOP ENTRY M32, POWDER COATED,BLACK H24BPR对角锁定顶入壳M32 黑色	-	-	-	-	-	-	-	-	M32	TYPE 1 类型1
T1920240129-009	H24BPR-TGH-PG29-EMC-C	H24BPR HOOD, DIAGONAL LOCKING, TOP ENTRY PG29, POWDER COATED,BLACK H24BPR对角锁定顶入壳PG29 黑色	-	-	-	-	-	-	-	-	PG29	TYPE 1 类型1
T1920240125-009	H24BPR-TGH-M25-EMC-C	H24BPR HOOD, DIAGONAL LOCKING, TOP ENTRY M25, POWDER COATED,BLACK H24BPR对角锁定顶入壳M25 黑色	-	-	-	-	-	-	-	-	M25	TYPE 1 类型1
T1920240121-009	H24BPR-TGH-PG21-EMC-C	H24BPR HOOD, DIAGONAL LOCKING, TOP ENTRY PG21, POWDER COATED,BLACK H24BPR对角锁定顶入壳PG21 黑色	-	-	-	-	-	-	-	-	PG21	TYPE 1 类型1

THIS DRAWING IS A CONTROLLED DOCUMENT.

DAVID WANG 20160820  
 CHRIS WANG 20160820  
 XIANG YU 20160820

PRODUCT SPEC: H24BPR-TGH-PG/M-EMC-C

APPROVAL SPEC: 114-137191

WEIGHT: -

SCALE: 1:1

SHEET 1 OF 1

REV B

## X-ON Electronics

Largest Supplier of Electrical and Electronic Components

*Click to view similar products for [Heavy Duty Power Connectors](#) category:*

*Click to view products by [TE Connectivity](#) manufacturer:*

Other Similar products are found below :

[647757-1](#) [6643411-1](#) [6646058-2](#) [6646137-1](#) [6646138-1](#) [6646479-1](#) [6646608-1](#) [6646786-1](#) [6646940-1](#) [6651091-1](#) [6651525-1](#) [6651529-1](#)  
[6651788-1](#) [696475-1](#) [702-32-01109](#) [703-25-02205](#) [73000005059](#) [73000005642](#) [73080255059](#) [73080965046](#) [765-15-0080A](#) [765-16-0080B](#)  
[765-18-0080D](#) [829992-1](#) [902-77-02113](#) [PS00/A0620/6300](#) [PS25/A0420/63](#) [129-1J](#) [1409400](#) [AN0024023](#) [E6374G1](#) [e6389g2](#) [157-43GW8](#)  
[MS3117-14AC](#) [1643543-1](#) [1650540-1](#) [1651811-2](#) [1766260-1](#) [1766282-1](#) [1766966-1](#) [1791340000](#) [NLDFT-3-BL-L-S120-M40A](#) [NLDFT-N-](#)  
[W-L-C240-M40B](#) [NLS-2-R-C240-M40B](#) [NLS-N-W-C240-M40B](#) [NPS-3-BL-T6](#) [1986615-1](#) [2-1589900-8](#) [2199314-1](#) [KA8102](#)