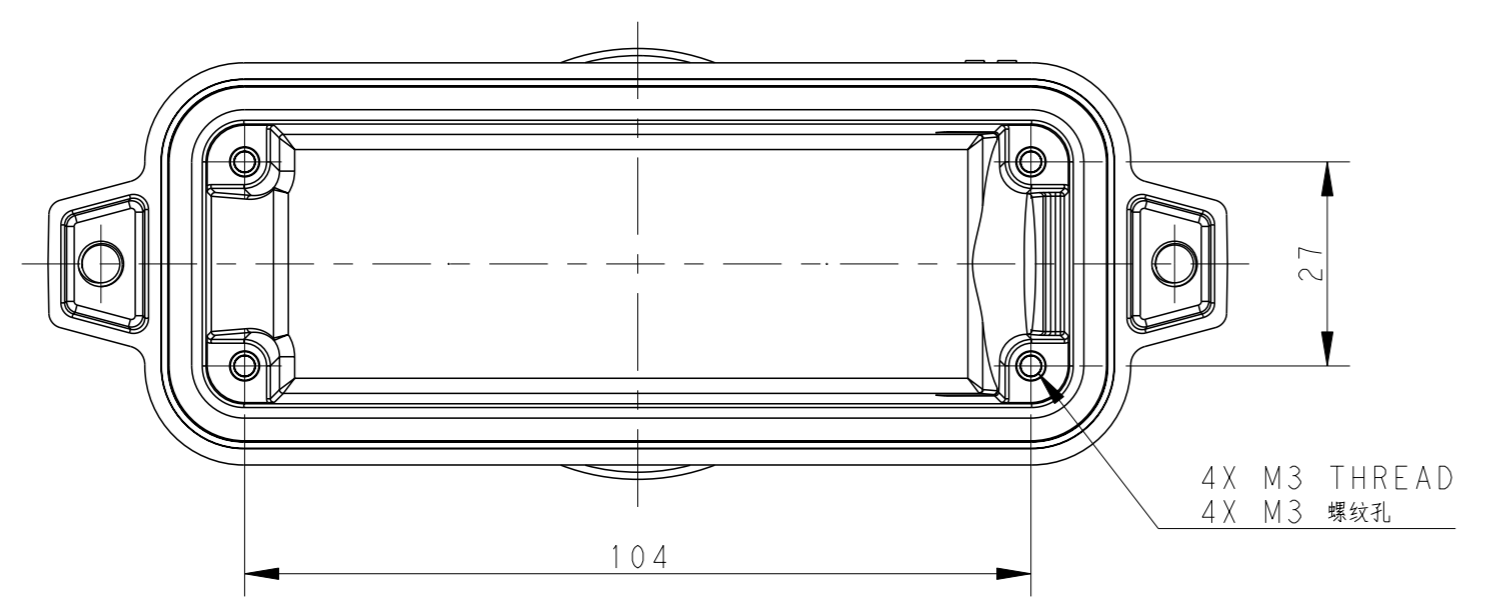
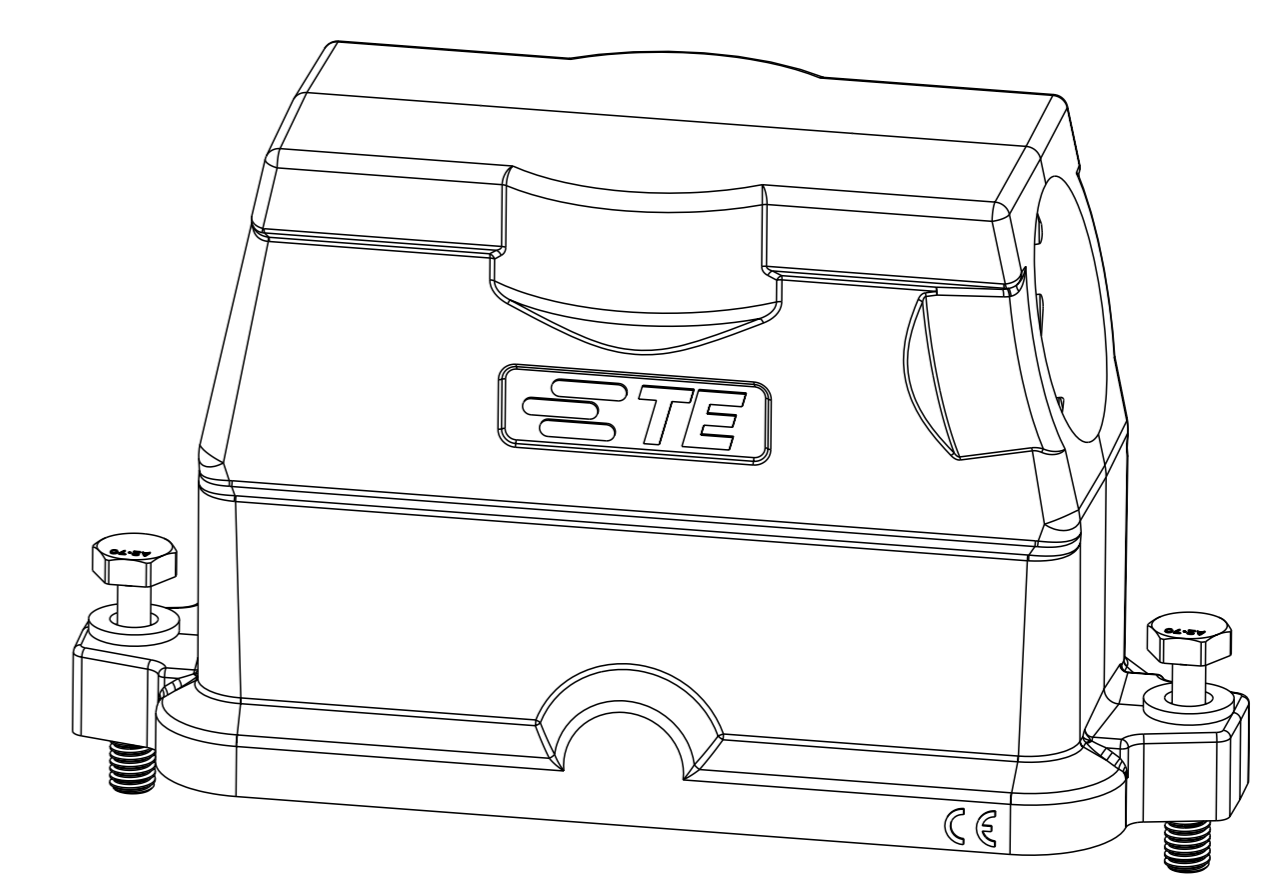
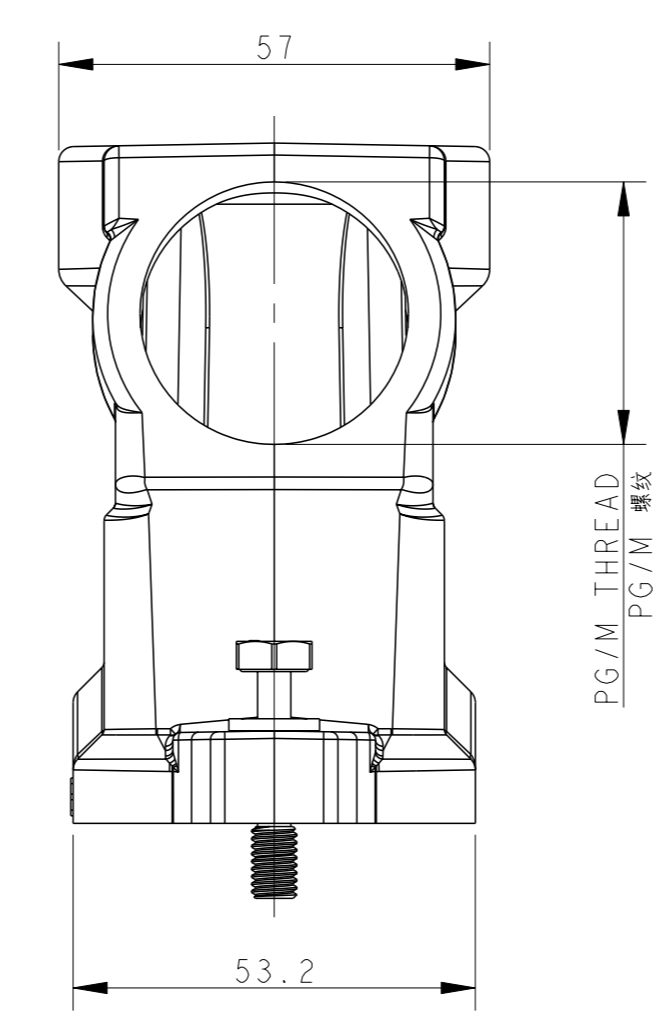
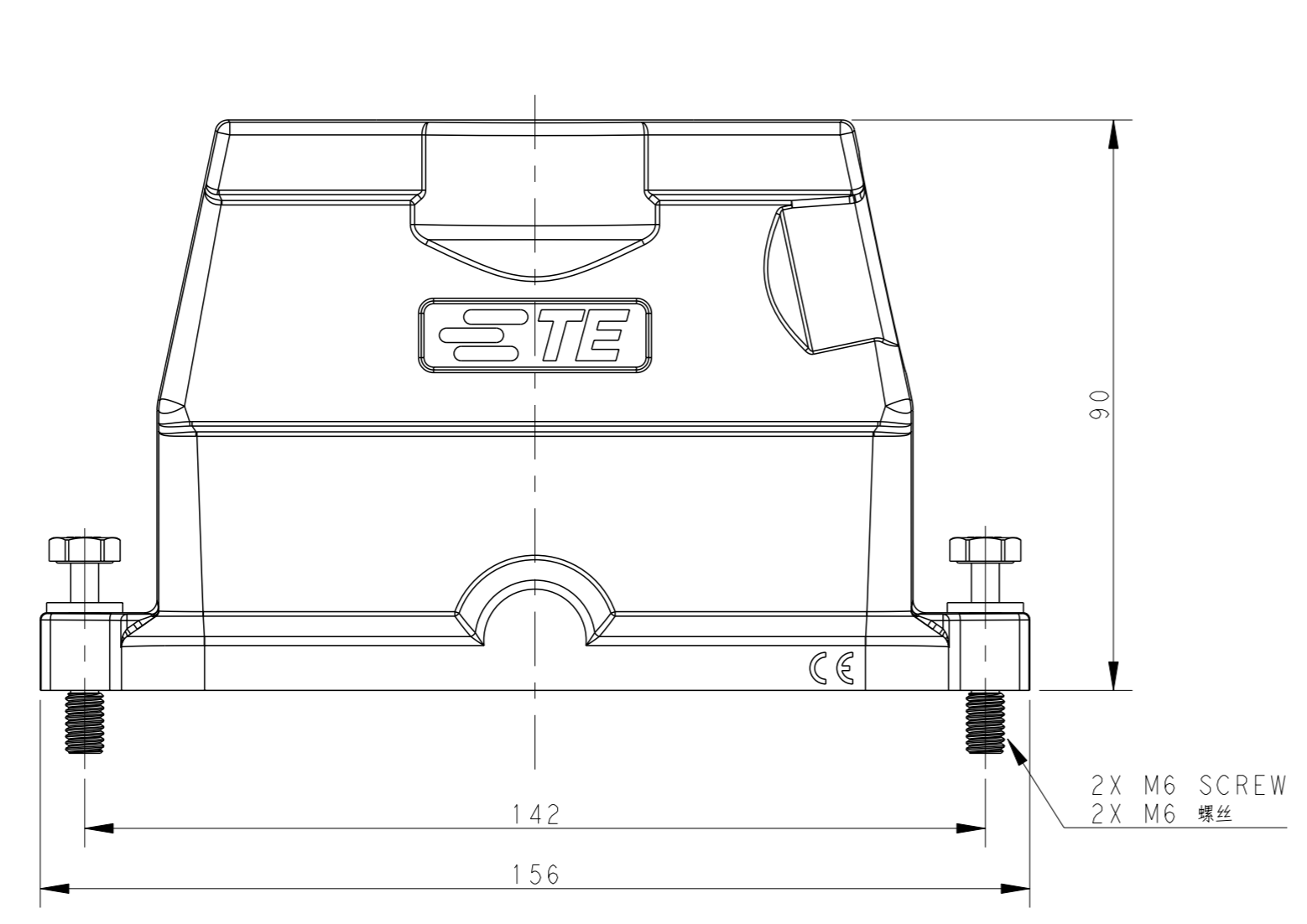


REVISIONS				
#	CTH	DESCRIPTION	DATE	OWN APVD
A		INITIAL RELEASE	07JUN2016	DW CW
B		ECR-20-016312	03JUN2021	BS CW

NOTES:  
 1. TECHNICAL CHARACTERISTICS:  
 HOOD MATERIAL: DIE CAST ALUMINIUM ALLOY  
 SURFACE: SEE TABLE  
 DEGREE OF PROTECTION: IP68 (MATED)

注释:  
 1. 技术参数:  
 壳体材料: 铝合金  
 表面处理: 见表格  
 防护等级: IP68 (配合)



T1912241140-009	H24BPR-TSHC-M40-EMC-C H24BPR HOOD, CENTER LOCKING, SIDE ENTRY M40, POWDER COATED, SILVER WHITE H24BPR中部锁定侧出上壳M40 银白色	M40
T1912241132-009	H24BPR-TSHC-M32-EMC-C H24BPR HOOD, CENTER LOCKING, SIDE ENTRY M32, POWDER COATED, SILVER WHITE H24BPR中部锁定侧出上壳M32 银白色	M32
T1912241129-009	H24BPR-TSHC-PG29-EMC-C H24BPR HOOD, CENTER LOCKING, SIDE ENTRY PG29, POWDER COATED, SILVER WHITE H24BPR中部锁定侧出上壳PG29 银白色	PG29
T1912241125-009	H24BPR-TSHC-M25-EMC-C H24BPR HOOD, CENTER LOCKING, SIDE ENTRY M25, POWDER COATED, SILVER WHITE H24BPR中部锁定侧出上壳M25 银白色	M25
T1912241121-009	H24BPR-TSHC-PG21-EMC-C H24BPR HOOD, CENTER LOCKING, SIDE ENTRY PG21, POWDER COATED, SILVER WHITE H24BPR中部锁定侧出上壳PG21 银白色	PG21
T1912240140-009	H24BPR-TSHC-M40-EMC-C H24BPR HOOD, CENTER LOCKING, SIDE ENTRY M40, POWDER COATED, BLACK H24BPR中部锁定侧出上壳M40 黑色	M40
T1912240132-009	H24BPR-TSHC-M32-EMC-C H24BPR HOOD, CENTER LOCKING, SIDE ENTRY M32, POWDER COATED, BLACK H24BPR中部锁定侧出上壳M32 黑色	M32
T1912240129-009	H24BPR-TSHC-PG29-EMC-C H24BPR HOOD, CENTER LOCKING, SIDE ENTRY PG29, POWDER COATED, BLACK H24BPR中部锁定侧出上壳PG29 黑色	PG29
T1912240125-009	H24BPR-TSHC-M25-EMC-C H24BPR HOOD, CENTER LOCKING, SIDE ENTRY M25, POWDER COATED, BLACK H24BPR中部锁定侧出上壳M25 黑色	M25
T1912240121-009	H24BPR-TSHC-PG21-EMC-C H24BPR HOOD, CENTER LOCKING, SIDE ENTRY PG21, POWDER COATED, BLACK H24BPR中部锁定侧出上壳PG21 黑色	PG21
PART NUMBER 料号	DESCRIPTION 描述	PG/M THREAD PG/M 螺纹

THIS DRAWING IS A CONTROLLED DOCUMENT.		OWN DAVID WANG CHK CHRIS WANG	07JUN2016	TE Connectivity NAME H24BPR-TSHC-PG/M-EMC-C
DIMENSIONS:		APVD XIANG XU	07JUN2016	
mm	TOLERANCES UNLESS OTHERWISE SPECIFIED:	PRODUCT SPEC	108-137191	SIZE
0 PLC ±	1 PLC ±	APPLICATION SPEC	114-137191	CAGE CODE
2 PLC ±	3 PLC ±	FINISH	-	DRAWING NO
4 PLC ±	ANGLES	WEIGHT	-	RESTRICTED TO
MATERIAL		CUSTOMER DRAWING		SCALE
				1:1
				SHEET 1 OF 1
				REV B

## X-ON Electronics

Largest Supplier of Electrical and Electronic Components

*Click to view similar products for [Heavy Duty Power Connectors](#) category:*

*Click to view products by [TE Connectivity](#) manufacturer:*

Other Similar products are found below :

[647757-1](#) [6643411-1](#) [6646058-2](#) [6646137-1](#) [6646138-1](#) [6646479-1](#) [6646608-1](#) [6646786-1](#) [6646940-1](#) [6651091-1](#) [6651525-1](#) [6651529-1](#)  
[6651788-1](#) [696475-1](#) [702-32-01109](#) [703-25-02205](#) [73000005059](#) [73000005642](#) [73080255059](#) [73080965046](#) [765-15-0080A](#) [765-16-0080B](#)  
[765-18-0080D](#) [829992-1](#) [902-77-02113](#) [PS00/A0620/6300](#) [PS25/A0420/63](#) [129-1J](#) [1409400](#) [AN0024023](#) [E6374G1](#) [e6389g2](#) [157-43GW8](#)  
[MS3117-14AC](#) [1643543-1](#) [1650540-1](#) [1651811-2](#) [1766260-1](#) [1766282-1](#) [1766966-1](#) [1791340000](#) [NLDFT-3-BL-L-S120-M40A](#) [NLDFT-N-](#)  
[W-L-C240-M40B](#) [NLS-2-R-C240-M40B](#) [NLS-N-W-C240-M40B](#) [NPS-3-BL-T6](#) [1986615-1](#) [2-1589900-8](#) [2199314-1](#) [KA8102](#)