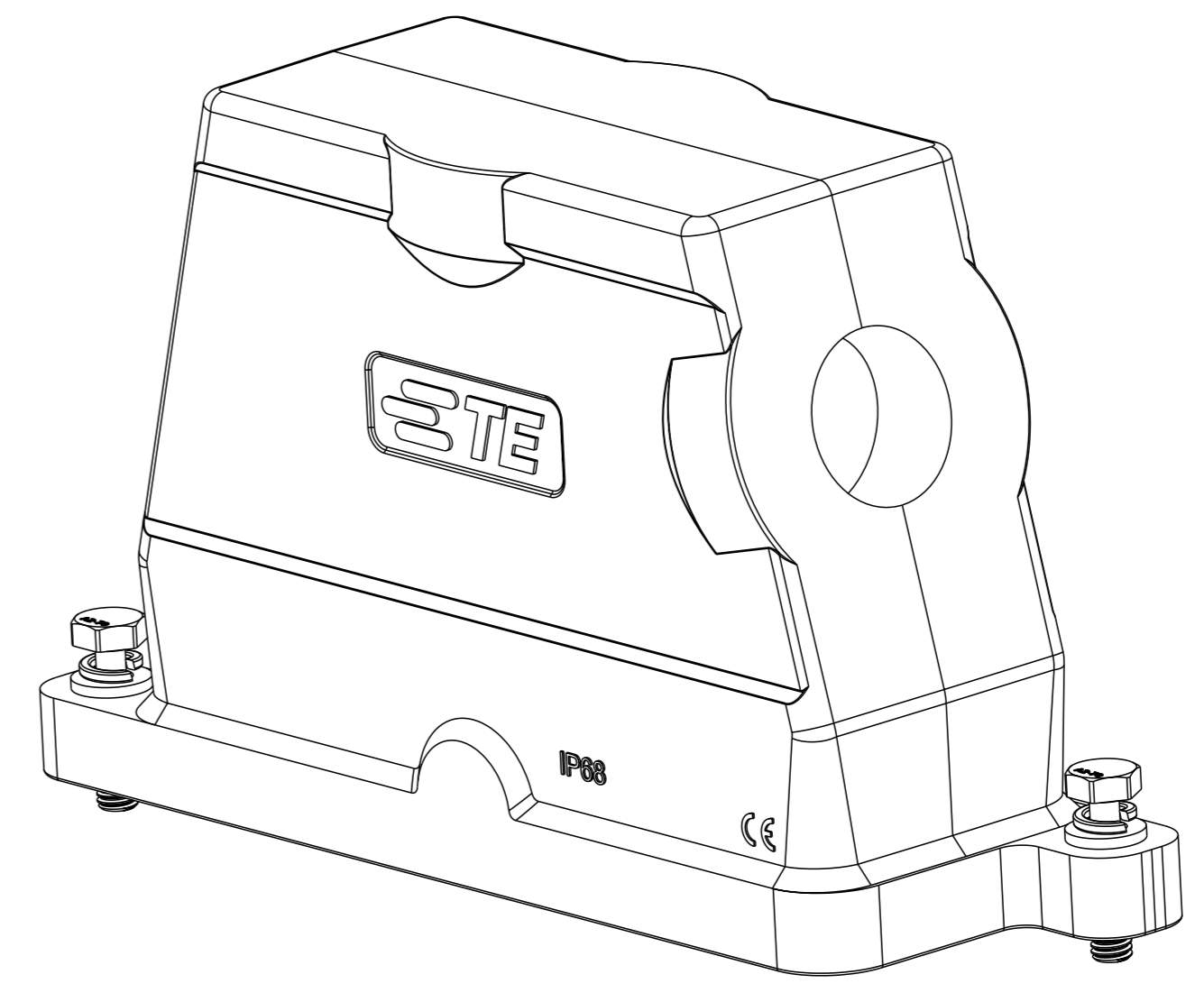
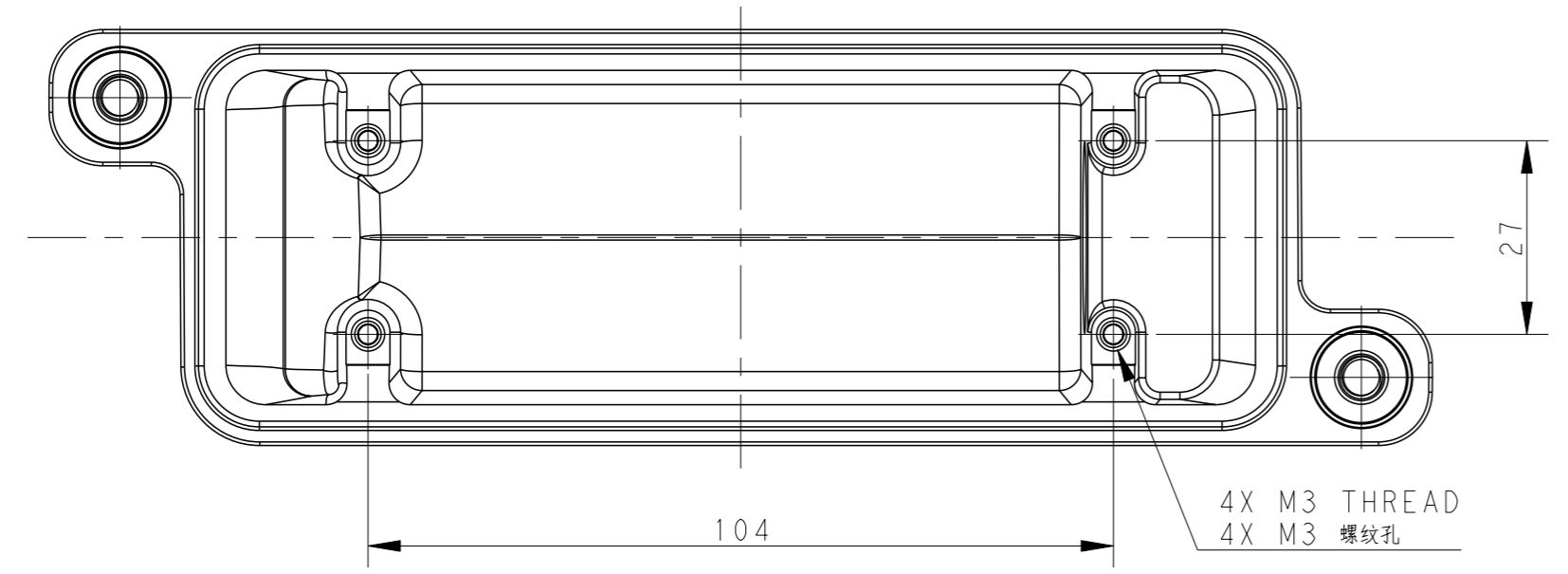
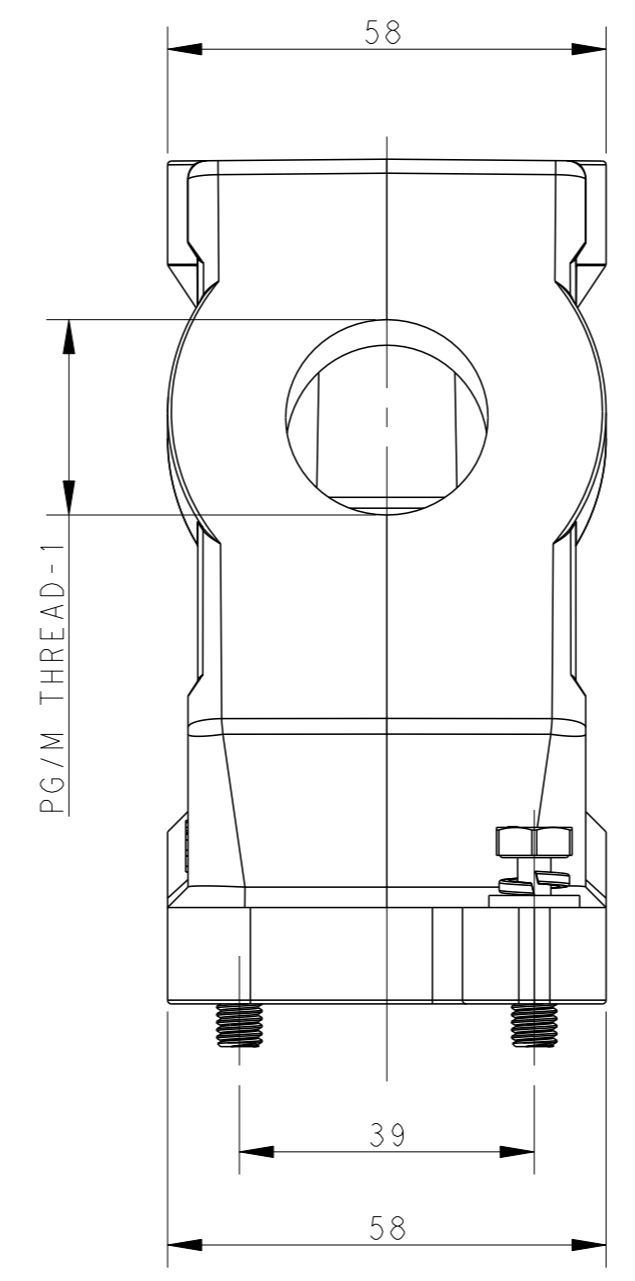
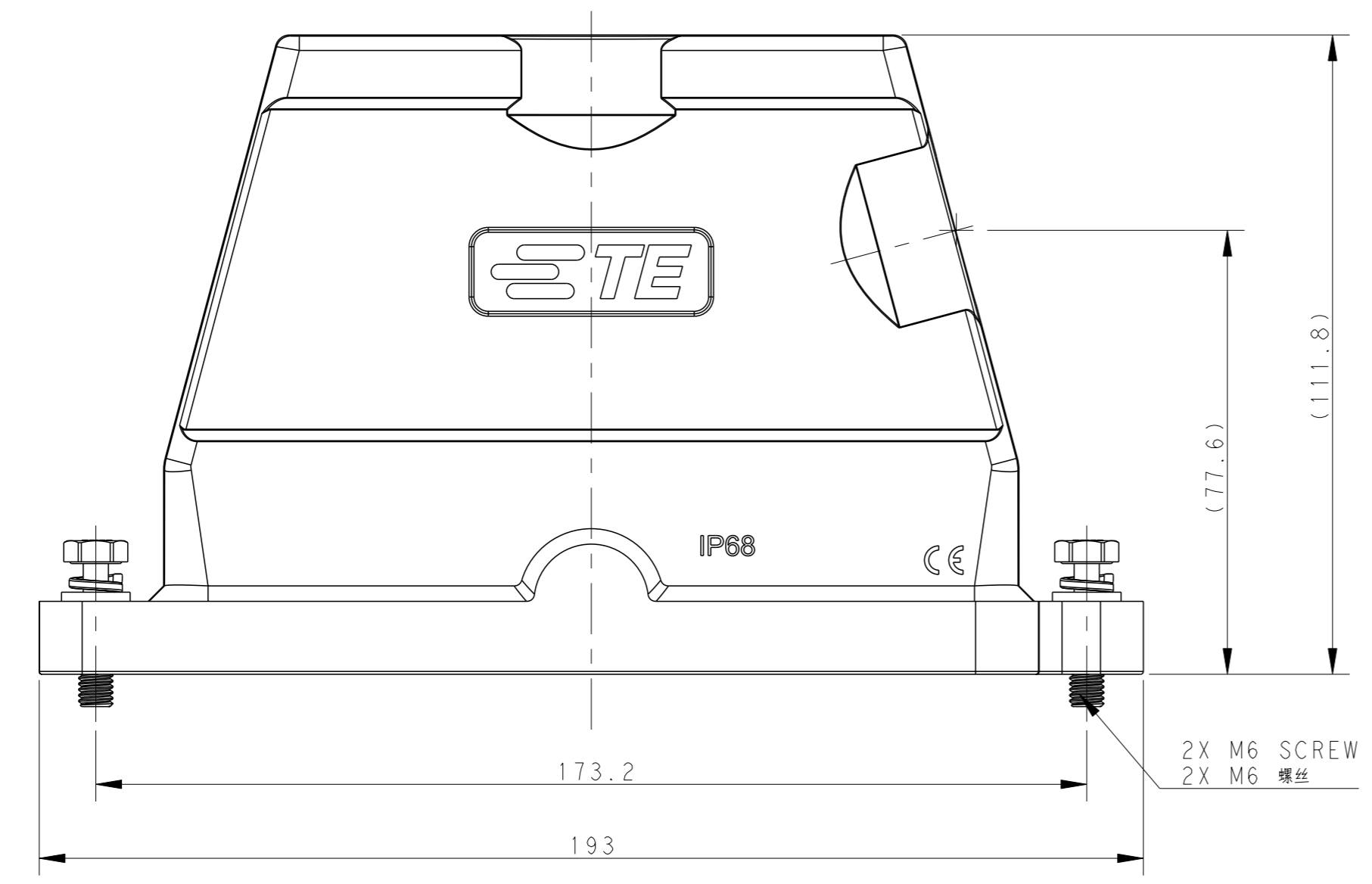


REVISIONS				
#	DATE	DESCRIPTION	DATE	APPV
A		INITIAL RELEASE	26AUG2016	DW CW
B		ECR-20-016312	03JUN2021	BS CW



NOTES:
 1. TECHNICAL CHARACTERISTICS:
 HOOD MATERIAL: DIE CAST ALUMINIUM ALLOY
 SURFACE: SEE TABLE
 DEGREE OF PROTECTION: IP68 (MATED)

注释:
 1. 技术参数:
 壳体材料: 铝合金
 表面处理: 见表格
 防护等级: IP68 (配合)

PART NUMBER 料号	DESCRIPTION 描述	PG/M THREAD-1 PG/M 螺纹-1
T1910241140-009	H24BPR-TSH-M40-EMC-C H24BPR HOOD, DIAGONAL LOCKING, SIDE ENTRY M40, POWDER COATED, SILVER WHITE H24BPR对角锁定侧出上壳M40 银白色	M40
T1910241136-009	H24BPR-TSH-PG36-EMC-C H24BPR HOOD, DIAGONAL LOCKING, SIDE ENTRY PG36, POWDER COATED, SILVER WHITE H24BPR对角锁定侧出上壳PG36 银白色	PG36
T1910241132-009	H24BPR-TSH-M32-EMC-C H24BPR HOOD, DIAGONAL LOCKING, SIDE ENTRY M32, POWDER COATED, SILVER WHITE H24BPR对角锁定侧出上壳M32 银白色	M32
T1910241129-009	H24BPR-TSH-PG29-EMC-C H24BPR HOOD, DIAGONAL LOCKING, SIDE ENTRY PG29, POWDER COATED, SILVER WHITE H24BPR对角锁定侧出上壳PG29 银白色	PG29
T1910241125-009	H24BPR-TSH-M25-EMC-C H24BPR HOOD, DIAGONAL LOCKING, SIDE ENTRY M25, POWDER COATED, SILVER WHITE H24BPR对角锁定侧出上壳M25 银白色	M25
T1910241121-009	H24BPR-TSH-PG21-EMC-C H24BPR HOOD, DIAGONAL LOCKING, SIDE ENTRY PG21, POWDER COATED, SILVER WHITE H24BPR对角锁定侧出上壳PG21 银白色	PG21
T1910240140-009	H24BPR-TSH-M40-EMC-C H24BPR HOOD, DIAGONAL LOCKING, SIDE ENTRY M40, POWDER COATED, BLACK H24BPR对角锁定侧出上壳M40 黑色	M40
T1910240136-009	H24BPR-TSH-PG36-EMC-C H24BPR HOOD, DIAGONAL LOCKING, SIDE ENTRY PG36, POWDER COATED, BLACK H24BPR对角锁定侧出上壳PG36 黑色	PG36
T1910240132-009	H24BPR-TSH-M32-EMC-C H24BPR HOOD, DIAGONAL LOCKING, SIDE ENTRY M32, POWDER COATED, BLACK H24BPR对角锁定侧出上壳M32 黑色	M32
T1910240129-009	H24BPR-TSH-PG29-EMC-C H24BPR HOOD, DIAGONAL LOCKING, SIDE ENTRY PG29, POWDER COATED, BLACK H24BPR对角锁定侧出上壳PG29 黑色	PG29
T1910240125-009	H24BPR-TSH-M25-EMC-C H24BPR HOOD, DIAGONAL LOCKING, SIDE ENTRY M25, POWDER COATED, BLACK H24BPR对角锁定侧出上壳M25 黑色	M25
T1910240121-009	H24BPR-TSH-PG21-EMC-C H24BPR HOOD, DIAGONAL LOCKING, SIDE ENTRY PG21, POWDER COATED, BLACK H24BPR对角锁定侧出上壳PG21 黑色	PG21

THIS DRAWING IS A CONTROLLED DOCUMENT.

DAVID WANG 26AUG2016	TE Connectivity NAME: H24BPR-TSH-PG/M-EMC-C
CHRIS WANG 26AUG2016	
YIANG XU 26AUG2016	SIZE: A1
DIMENSIONS: mm TOLERANCES UNLESS OTHERWISE SPECIFIED: 0 PLC ± 2 PLC ± 3 PLC ± 4 PLC ± ANGLES FINISH ±	PRODUCT SPEC: 108-137191 APPLICATION SPEC: 114-137191 WEIGHT: - CUSTOMER DRAWING
SCALE: 1:1 SHEET 1 OF 1 REV B	

Printed on 7 Jun 2021 15:30 (China Standard Time) from T1E236667

X-ON Electronics

Largest Supplier of Electrical and Electronic Components

Click to view similar products for [Heavy Duty Power Connectors](#) category:

Click to view products by [TE Connectivity](#) manufacturer:

Other Similar products are found below :

[647757-1](#) [6643411-1](#) [6646058-2](#) [6646137-1](#) [6646138-1](#) [6646479-1](#) [6646608-1](#) [6646786-1](#) [6646940-1](#) [6651091-1](#) [6651525-1](#) [6651529-1](#)
[6651788-1](#) [696475-1](#) [702-32-01109](#) [703-25-02205](#) [73000005059](#) [73000005642](#) [73080255059](#) [73080965046](#) [765-15-0080A](#) [765-16-0080B](#)
[765-18-0080D](#) [829992-1](#) [902-77-02113](#) [PS00/A0620/6300](#) [PS25/A0420/63](#) [129-1J](#) [1409400](#) [AN0024023](#) [E6374G1](#) [e6389g2](#) [157-43GW8](#)
[MS3117-14AC](#) [1643543-1](#) [1650540-1](#) [1651811-2](#) [1766260-1](#) [1766282-1](#) [1766966-1](#) [1791340000](#) [NLDFT-3-BL-L-S120-M40A](#) [NLDFT-N-](#)
[W-L-C240-M40B](#) [NLS-2-R-C240-M40B](#) [NLS-N-W-C240-M40B](#) [NPS-3-BL-T6](#) [1986615-1](#) [2-1589900-8](#) [2199314-1](#) [KA8102](#)