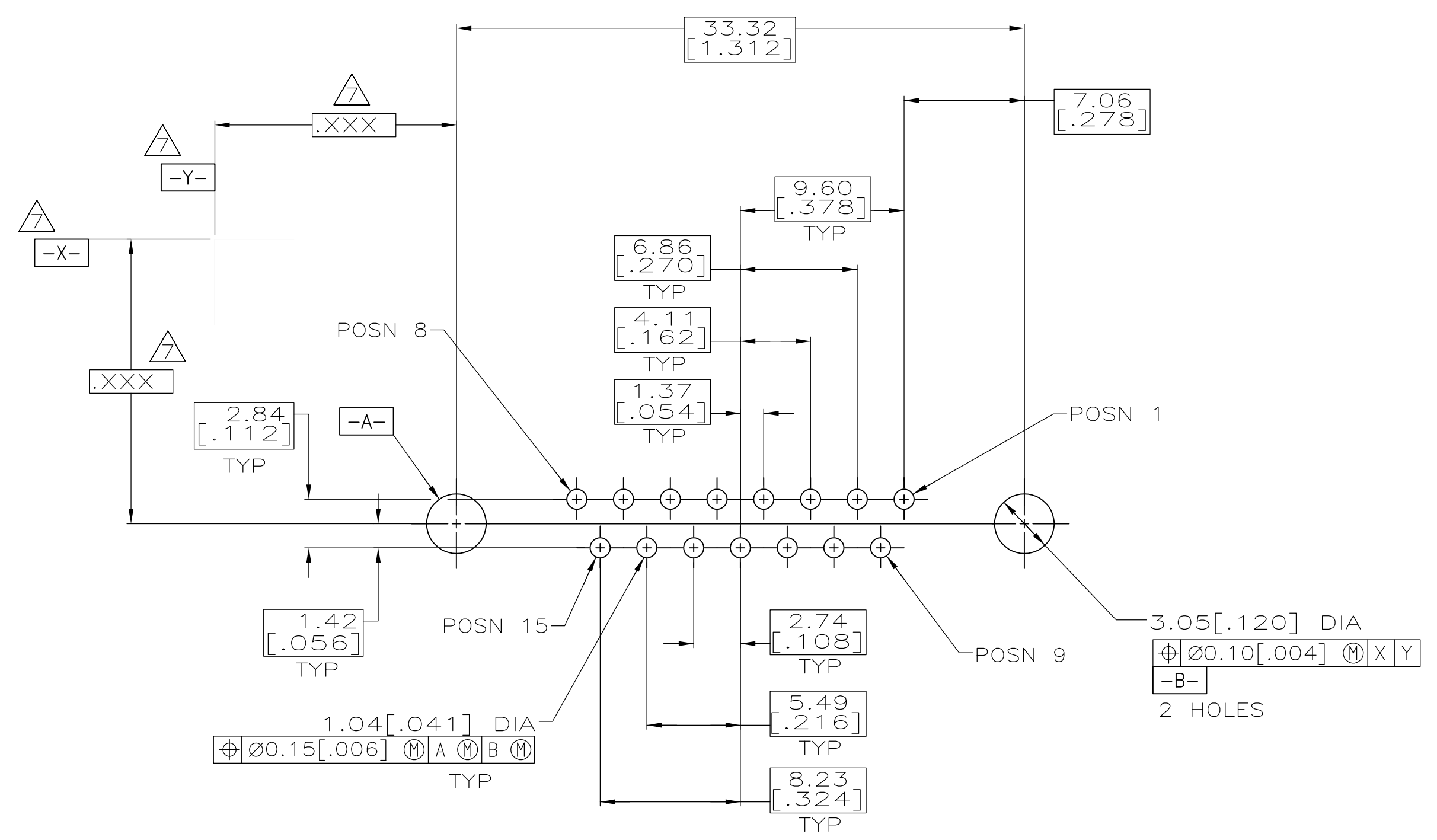
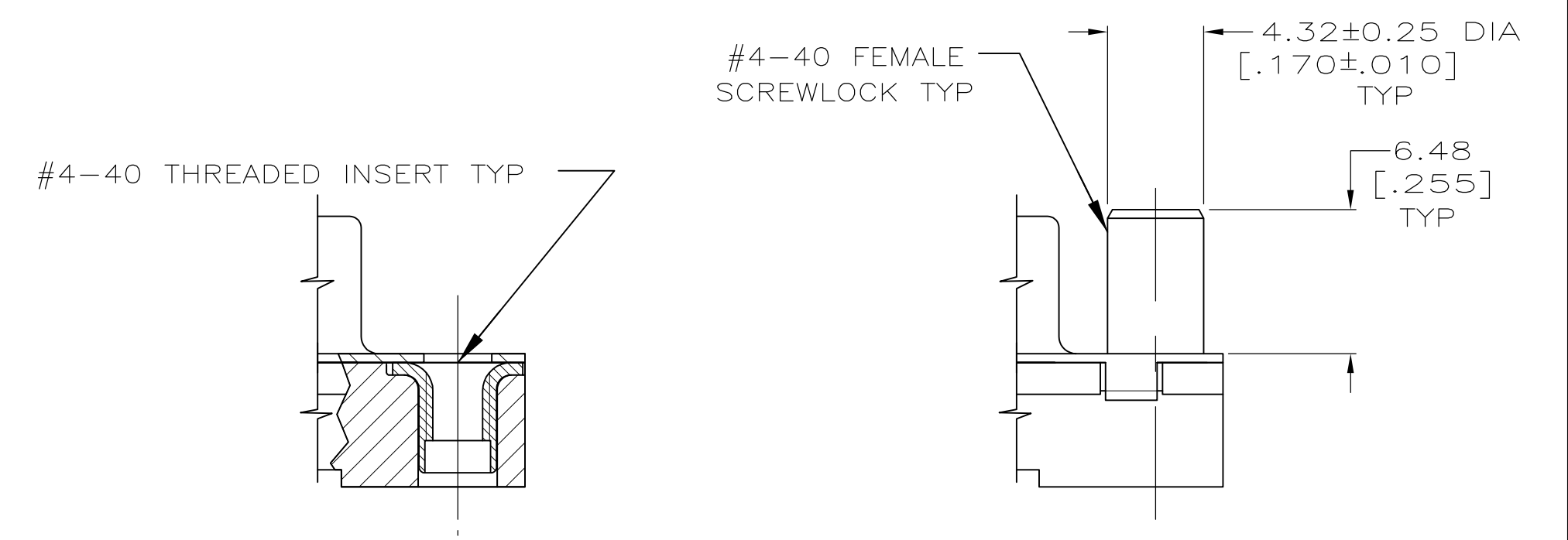
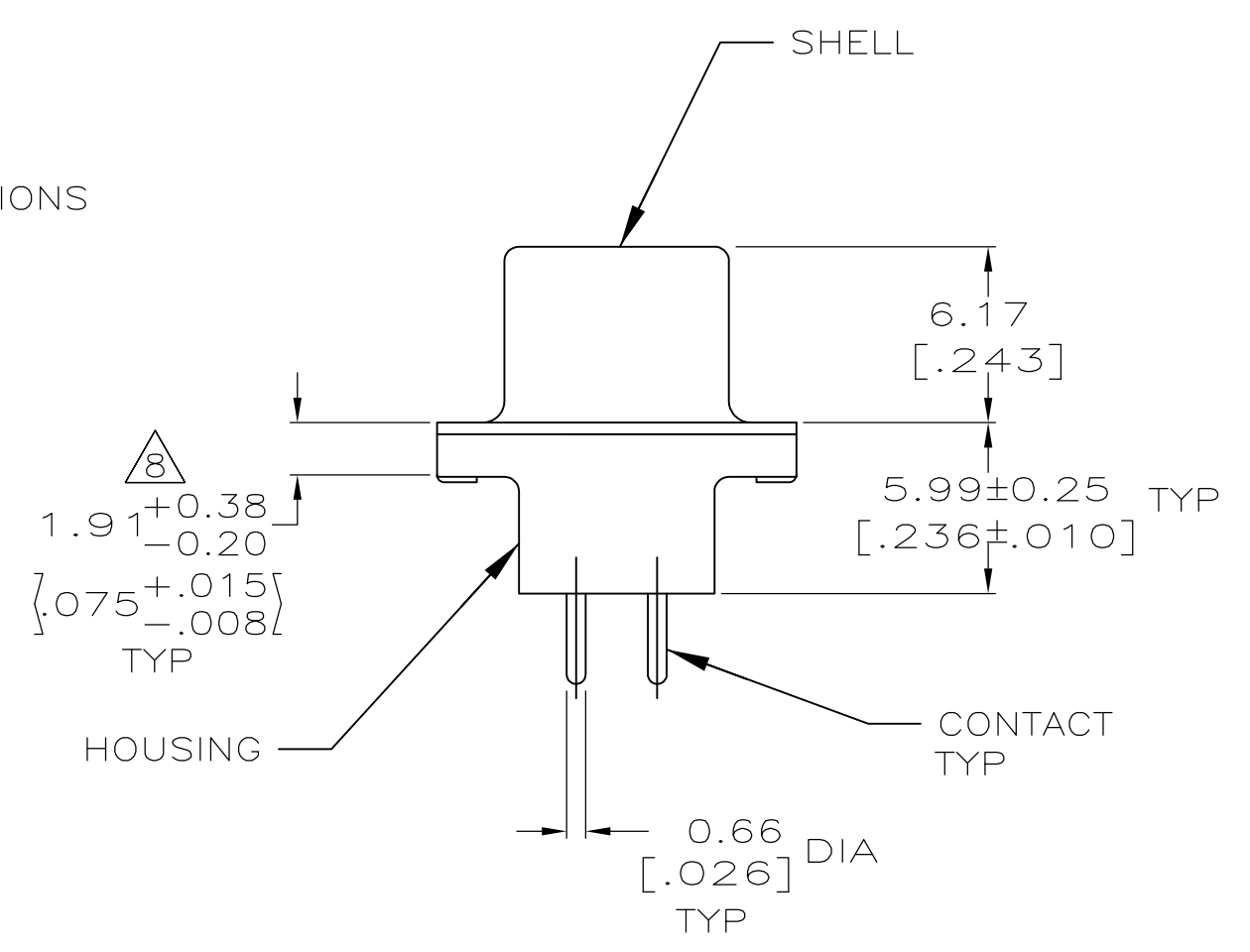
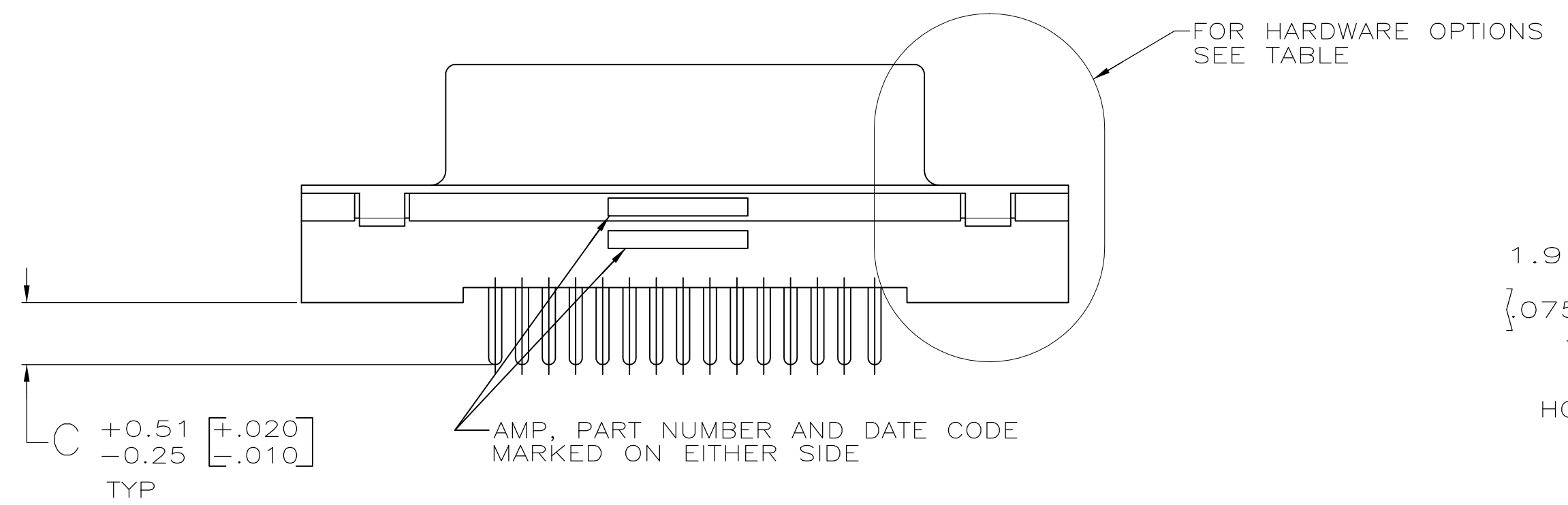
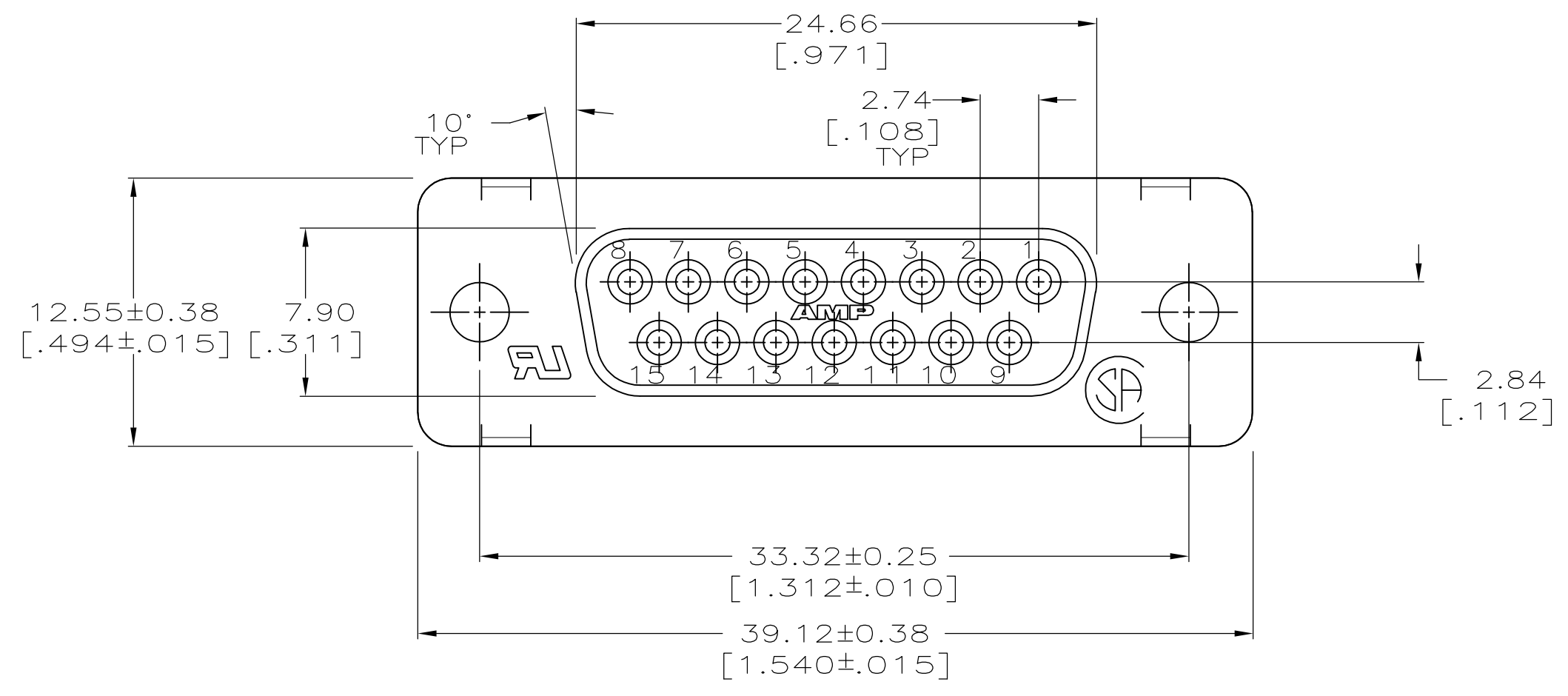


LOC	DIST	REV	DESCRIPTION	DATE	OWN	APVD
GP	00	L1	REVISED PER ECO-11-004835	11MAR11	RK	HMR

- ▲ POLYESTER, UL 94V-0 RATED, BLACK.
- ▲ CARBON STEEL.
- ▲ 5.08um [.000200] MIN TIN OVER 2.54um [.000100] MIN COPPER.
- ▲ GOLD FLASH FOR A LENGTH OF 2.54[.100] MIN FROM MATING END, 2.54um [.000100] MIN TIN OR TIN-LEAD ON OPPOSITE END, BOTH OVER 1.27um [.000050] MIN NICKEL.
- ▲ 0.76um [.000030] MIN GOLD FOR A LENGTH OF 2.54 [.100] MIN FROM MATING END, 2.54um [.000100] MIN TIN OR TIN-LEAD ON OPPOSITE END, BOTH OVER 1.27um [.000050] MIN NICKEL.
- ▲ NOTE DELETED.
- ▲ DATUMS AND BASIC DIMENSIONS ESTABLISHED BY CUSTOMER.
- ▲ 2.79[.110] MAX IN SHELL TAB CLINCH AREAS.
- ▲ OBSOLETE PART NUMBER.
- ▲ 10 SUPSD BY 747299-2.
- ▲ 11 SUPSD BY 1-747299-6.



RECOMMENDED PC BOARD MOUNTING DIMENSIONS

DESCRIPTION	CONTACTS	FINISH	CAGE CODE	DRAWING NO	RESTRICTED TO
W/FEMALE SCREWLOCKS PER DETAIL E	▲5	4.32 [0.170]	▲11	1-747299-6	
	▲4	4.32 [0.170]	▲11	1-747299-5	
	▲5	3.18 [0.125]	▲9	1-747299-4	
W/THREADED INSERTS PER DETAIL D	▲5	4.32 [0.170]	▲9	1-747299-0	
	▲5	3.18 [0.125]		747299-8	
	▲4	3.18 [0.125]		747299-7	
WO/FEMALE SCREWLOCKS OR THREADED INSERTS AS SHOWN	▲5	6.35 [0.250]	▲9	747299-6	
	▲5	4.32 [0.170]		747299-4	
	▲4	3.18 [0.125]	▲10	747299-2	

THIS DRAWING IS A CONTROLLED DOCUMENT.

DIMENSIONS: mm(INCHES)	TOLERANCES UNLESS OTHERWISE SPECIFIED: 0 PLC ± - 2 PLC ± - 3 PLC ± 0.13 [005] 4 PLC ± - ANGLES ± -	DWN D BROCKWAY 3-22-93 CHR R STONE 9-10-93 APVD -	NAME <b>STE</b> TE Connectivity
MATERIAL ▲1 ▲2	FINISH ▲3	PRODUCT SPEC 108-40025 APPLICATION SPEC 114-40023	RECEPTACLE ASSEMBLY, SIZE 2, 15 POSITION, FRONT METAL SHELL, WITH OR WITHOUT SCREWLOCKS OR INSERTS.
CUSTOMER DRAWING		WEIGHT - SCALE 4:1	SIZE CAGE CODE DRAWING NO A1 00779 C=747299 SHEET 1 OF 1 REV L1

## X-ON Electronics

Largest Supplier of Electrical and Electronic Components

*Click to view similar products for [D-Sub Standard Connectors](#) category:*

*Click to view products by [TE Connectivity](#) manufacturer:*

Other Similar products are found below :

[DCM37S732N](#) [DAM15P500](#) [DEV09S364GTLF](#) [DEM09P032N](#) [DDM50P732N](#) [DAM15S332N](#) [173109-2218](#) [173109-2466](#) [173109-2436](#)  
[173109-2435](#) [56F706-005-LI](#) [56F711-015](#) [015-0341-000](#) [015-0372-008](#) [015-8544-011](#) [017041-0005](#) [020419-0104](#) [012-0515-000](#) [012-9507-](#)  
[034](#) [012-9507-114](#) [012-9534-001](#) [020745-0008](#) [609-25P](#) [M24308/2-23Z](#) [M243082310F](#) [M243082410F](#) [M243082411F](#) [M24308/4-21](#)  
[CT1A18-11PSA206](#) [CT1N36-5SC](#) [CT2-16S-17PS](#) [CT2-20-15PCAU](#) [CT2-24-12PS](#) [CT2-24-28PSF127A206](#) [CT2-32-9PC](#) [CT6F9767-14-4-](#)  
[14S-5PC](#) [CT6FA10SL-4PS](#) [CT7-18-10SC](#) [CT7-18-10SCAU](#) [CT7-18-12SCAU](#) [CT7-18-1PC](#) [CT7-18-1PCAU](#) [CT7-18-21SCAU](#) [M83513/01-](#)  
[FC](#) [M83723/76W24619 L/C](#) [M85049/48-3-2F](#) [69001-865](#) [6STD09PCM99B70X](#) [6STD09SCM99B30X](#) [6STD09SCT99S40X](#)