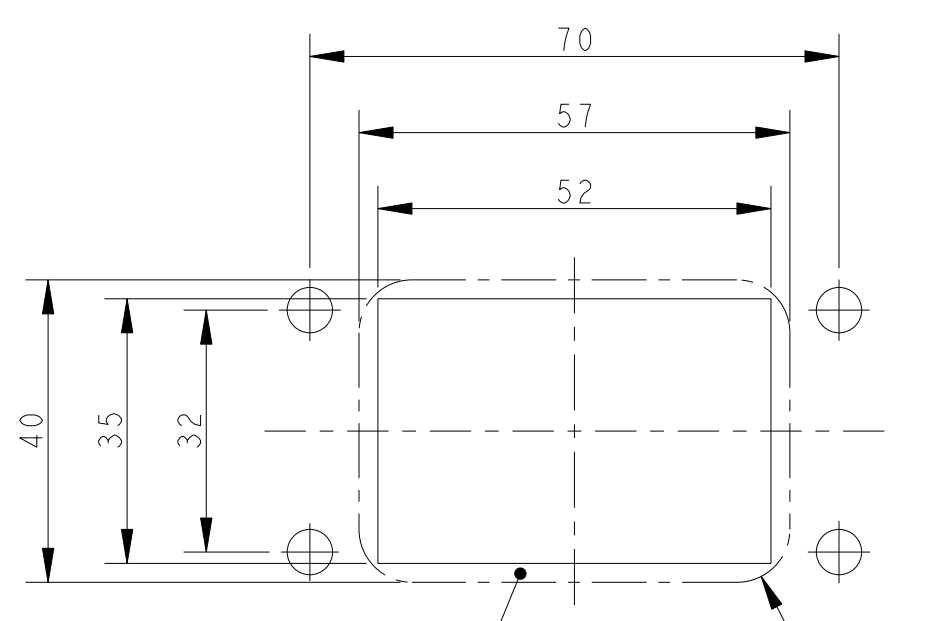
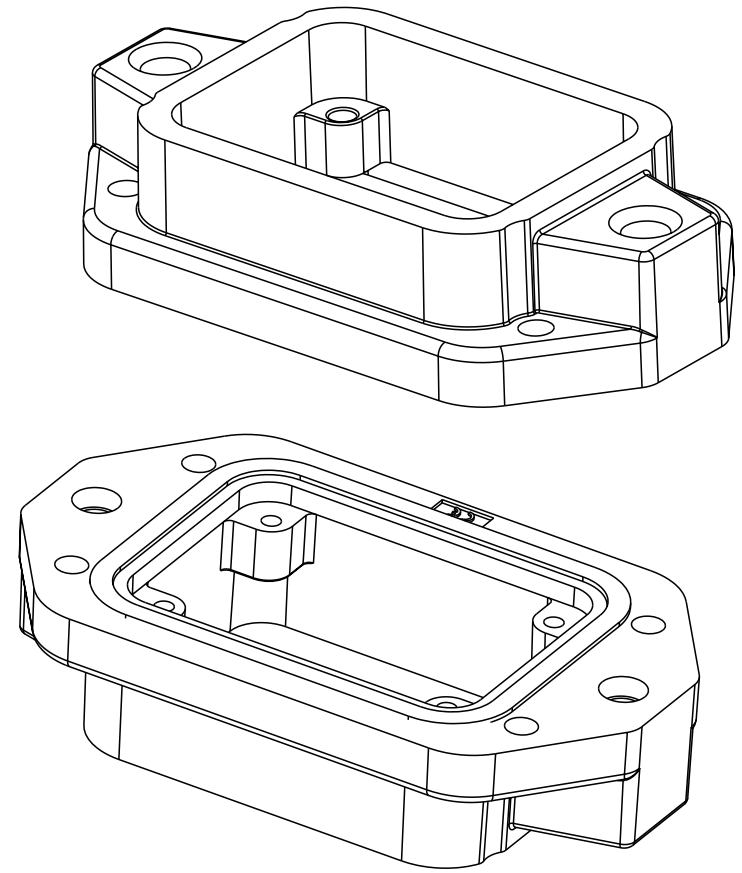
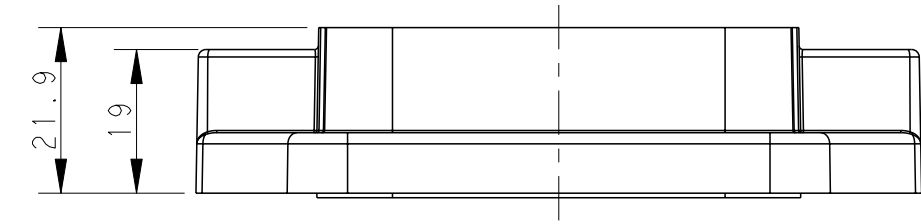
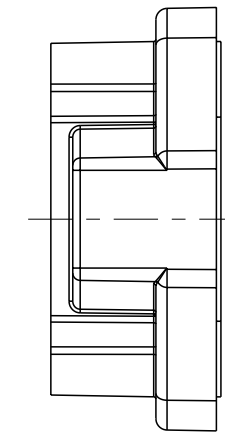
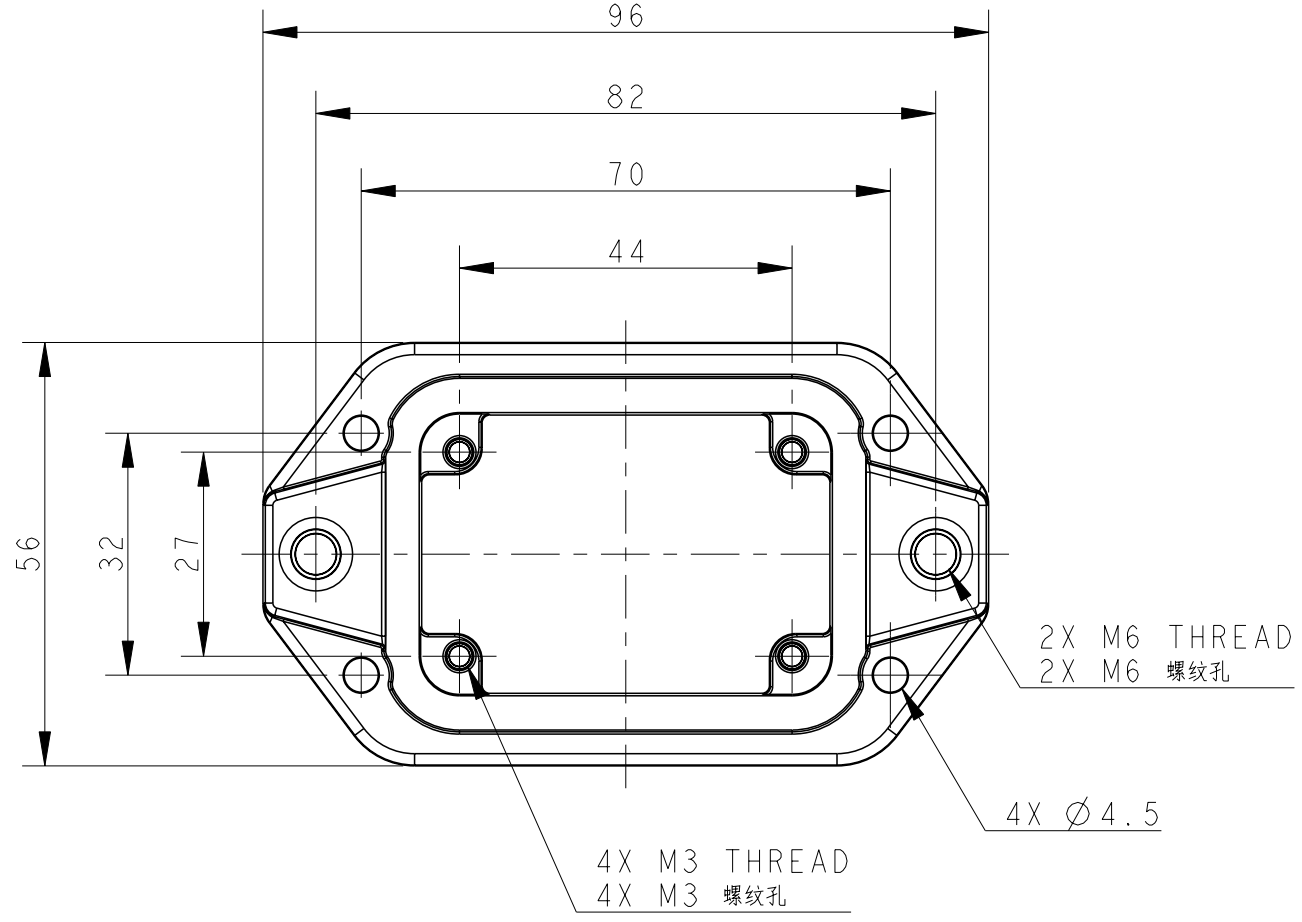


THIS DRAWING IS UNPUBLISHED. RELEASED FOR PUBLICATION 20
 © COPYRIGHT 20 BY - ALL RIGHTS RESERVED.

REVISIONS					
P	LTR	DESCRIPTION	DATE	DWN	APVD
A		INITIAL RELEASE	18OCT2016	DW	CW
B		ECR-20-016312	04JUN2021	BS	CW



Panel Cut Out Dimension, Only for Reference
 面板开口尺寸, 仅供参考

NOTES:
 1. TECHNICAL CHARACTERISTICS:
 HOUSING MATERIAL: DIE CAST ALUMINIUM ALLOY
 SURFACE: SEE TABLE
 DEGREE OF PROTECTION: IP68 (MATED)

注释:
 1. 技术参数:
 壳体材料: 铝合金
 表面处理: 见表格
 防护等级: IP68 (配合)

T1932062000-009	H6BPR-AGC-EMC-C	H6BPR HOUSING, CENTER LOCKING, BULKHEAD MOUNTED, POWDER COATED, GREY H6BPR中部锁定开孔下壳 灰色
T1932061000-009	H6BPR-AGC-EMC-C	H6BPR HOUSING, CENTER LOCKING, BULKHEAD MOUNTED, POWDER COATED, SILVER WHITE H6BPR中部锁定开孔下壳 银白色
T1932060000-009	H6BPR-AGC-EMC-C	H6BPR HOUSING, CENTER LOCKING, BULKHEAD MOUNTED, POWDER COATED, BLACK H6BPR中部锁定开孔下壳 黑色
PART NUMBER 料号	DESCRIPTION 描述	

THIS DRAWING IS A CONTROLLED DOCUMENT.		DWN 18OCT2016 DAVID WANG	TE Connectivity	
DIMENSIONS: mm		CHK 18OCT2016 CHRIS WANG		
TOLERANCES UNLESS OTHERWISE SPECIFIED:		APVD 18OCT2016 XIANG XU	NAME H6BPR-AGC-EMC-C	
0 PLC ± 1 PLC ± 2 PLC ± 3 PLC ± 4 PLC ± ANGLES ± FINISH -		PRODUCT SPEC 108-137191	RESTRICTED TO	
MATERIAL -		APPLICATION SPEC 114-137191	SIZE A2	CAGE CODE -
		WEIGHT -	DRAWING NO G-T193206X000009	
		Customer Drawing	SCALE 1:1	SHEET 1 OF 1
			REV B	

Printed on 8 Jun 2021 09:37 (China Standard Time) from TE236667

X-ON Electronics

Largest Supplier of Electrical and Electronic Components

Click to view similar products for [Heavy Duty Power Connectors](#) category:

Click to view products by [TE Connectivity](#) manufacturer:

Other Similar products are found below :

[647757-1](#) [6643411-1](#) [6646058-2](#) [6646137-1](#) [6646138-1](#) [6646479-1](#) [6646608-1](#) [6646786-1](#) [6646940-1](#) [6651091-1](#) [6651525-1](#) [6651529-1](#)
[6651788-1](#) [696475-1](#) [702-32-01109](#) [703-25-02205](#) [73000005059](#) [73000005642](#) [73080255059](#) [73080965046](#) [765-15-0080A](#) [765-16-0080B](#)
[765-18-0080D](#) [829992-1](#) [902-77-02113](#) [PS00/A0620/6300](#) [PS25/A0420/63](#) [129-1J](#) [1409400](#) [AN0024023](#) [E6374G1](#) [e6389g2](#) [157-43GW8](#)
[MS3117-14AC](#) [1643543-1](#) [1650540-1](#) [1651811-2](#) [1766260-1](#) [1766282-1](#) [1766966-1](#) [1791340000](#) [NLDFT-3-BL-L-S120-M40A](#) [NLDFT-N-](#)
[W-L-C240-M40B](#) [NLS-2-R-C240-M40B](#) [NLS-N-W-C240-M40B](#) [NPS-3-BL-T6](#) [1986615-1](#) [2-1589900-8](#) [2199314-1](#) [KA8102](#)