

4

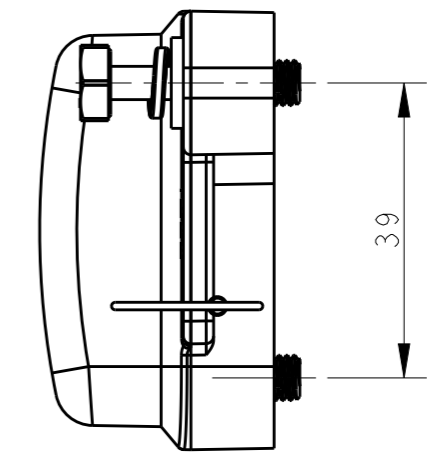
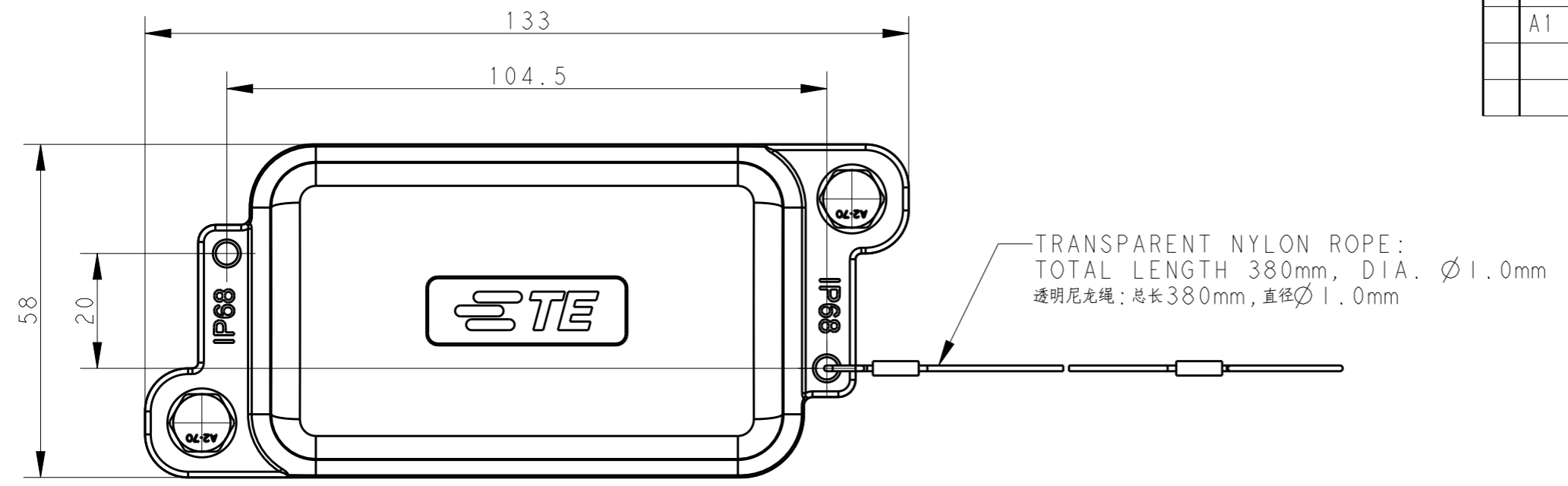
3

2

1

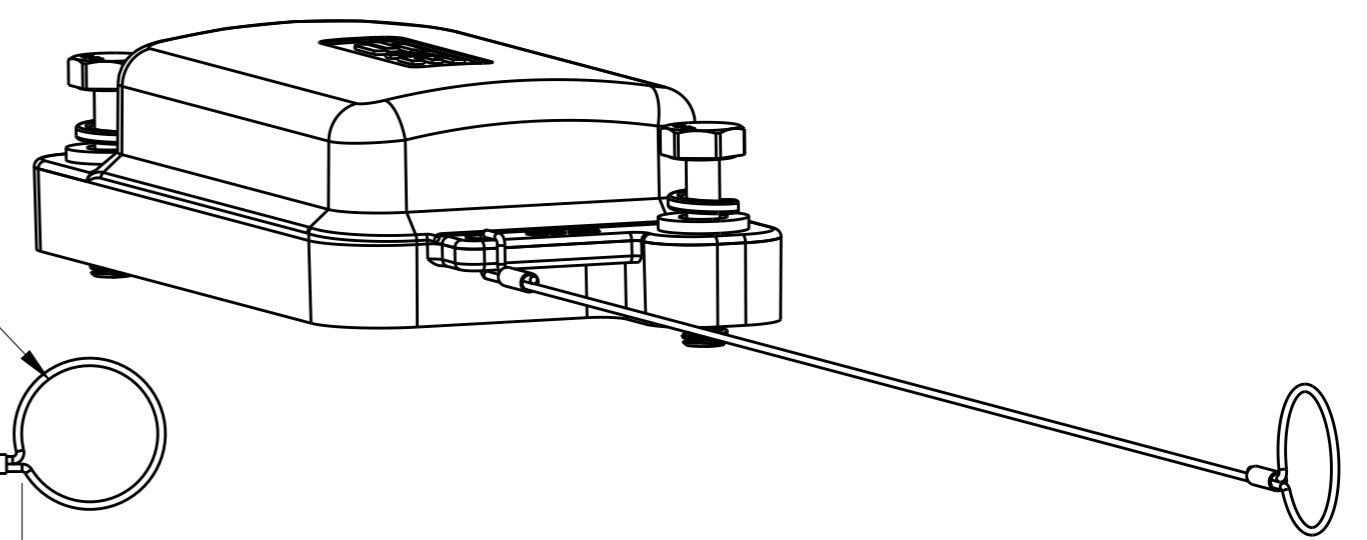
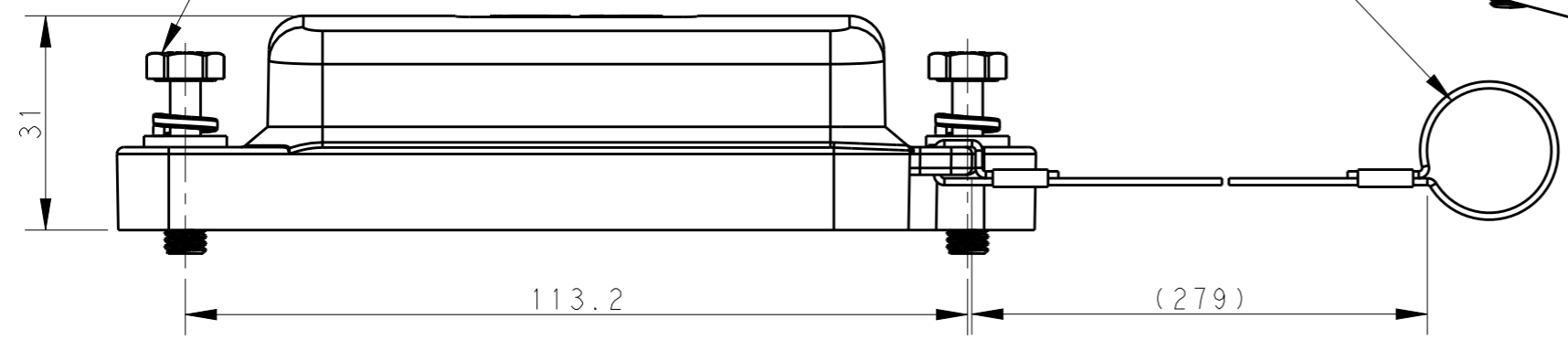
THIS DRAWING IS UNPUBLISHED. RELEASED FOR PUBLICATION 20  
 © COPYRIGHT 20 BY - ALL RIGHTS RESERVED.

REVISIONS					
P	LTR	DESCRIPTION	DATE	DWN	APVD
	A	INITIAL RELEASE	22OCT2016	DW	CW
	A1	ECR-17-008404	10JUN2017	CH	CW



LOOP SIZE DEFAULT VALUE DIA.  $\phi$  18,  
 UNLESS HAVE SPECIAL REQUIREMENT.  
 套圈大小默认值直径是 $\phi$  18, 除非有特别要求.


2XM6 SCREW, RECOMMENDED TIGHTENING TORQUE 4.0Nm  
 2XM6 螺丝, 推荐锁紧扭矩4.0Nm



NOTES:  
 I. TECHNICAL CHARACTERISTICS:  
 COVER MATERIAL: DIE CAST ALUMINIUM ALLOY  
 SURFACE TREATMENT: SEE TABLE

注释  
 I. 技术参数:  
 壳体材料: 铝合金  
 表面处理: 见表格

T1990060000-009	H6BPR-KDBM-EMC-C	H6BPR HOUSING METAL PROTECTION COVER, DIAGONAL LOCKING, NYLON ROPE, PASSIVATION+POWDER COATED, BLACK / H6BPR对角锁定金属保护盖, 尼龙绳, 钝化+黑色粉末喷涂
PART NUMBER 料号	PART DESCRIPTION 描述	

THIS DRAWING IS A CONTROLLED DOCUMENT.		DWN 22OCT2016 DAVID.WANG	 TE Connectivity			
DIMENSIONS: mm		CHK 22OCT2016 CHRIS.WANG			NAME H6BPR-KDBM-EMC-C	
TOLERANCES UNLESS OTHERWISE SPECIFIED: 0 PLC $\pm$ - 1 PLC $\pm$ - 2 PLC $\pm$ - 3 PLC $\pm$ - 4 PLC $\pm$ - ANGLES $\pm$ -		APVD 22OCT2016 XIANG.XU				
MATERIAL		PRODUCT SPEC	SIZE	CAGE CODE	DRAWING NO	RESTRICTED TO
-		FINISH	A3	-	©-T1990060000009	-
-		Customer Drawing	SCALE 1:1	SHEET 1 OF 1	REV A1	

## X-ON Electronics

Largest Supplier of Electrical and Electronic Components

*Click to view similar products for [Heavy Duty Power Connectors](#) category:*

*Click to view products by [TE Connectivity](#) manufacturer:*

Other Similar products are found below :

[647757-1](#) [6643411-1](#) [6646058-2](#) [6646137-1](#) [6646138-1](#) [6646479-1](#) [6646608-1](#) [6646786-1](#) [6646940-1](#) [6651091-1](#) [6651525-1](#) [6651529-1](#)  
[6651788-1](#) [696475-1](#) [702-32-01109](#) [703-25-02205](#) [73000005059](#) [73000005642](#) [73080255059](#) [73080965046](#) [765-15-0080A](#) [765-16-0080B](#)  
[765-18-0080D](#) [829992-1](#) [902-77-02113](#) [PS00/A0620/6300](#) [PS25/A0420/63](#) [129-1J](#) [1409400](#) [AN0024023](#) [E6374G1](#) [e6389g2](#) [157-43GW8](#)  
[MS3117-14AC](#) [1643543-1](#) [1650540-1](#) [1651811-2](#) [1766260-1](#) [1766282-1](#) [1766966-1](#) [1791340000](#) [NLDFT-3-BL-L-S120-M40A](#) [NLDFT-N-](#)  
[W-L-C240-M40B](#) [NLS-2-R-C240-M40B](#) [NLS-N-W-C240-M40B](#) [NPS-3-BL-T6](#) [1986615-1](#) [2-1589900-8](#) [2199314-1](#) [KA8102](#)