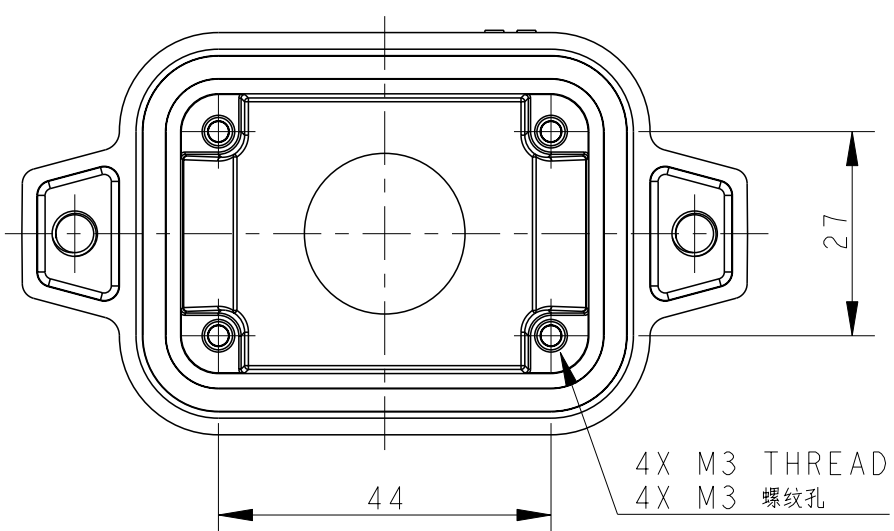
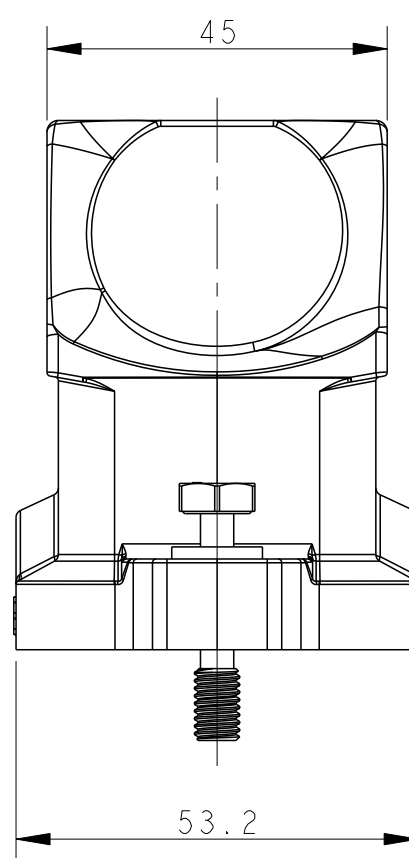
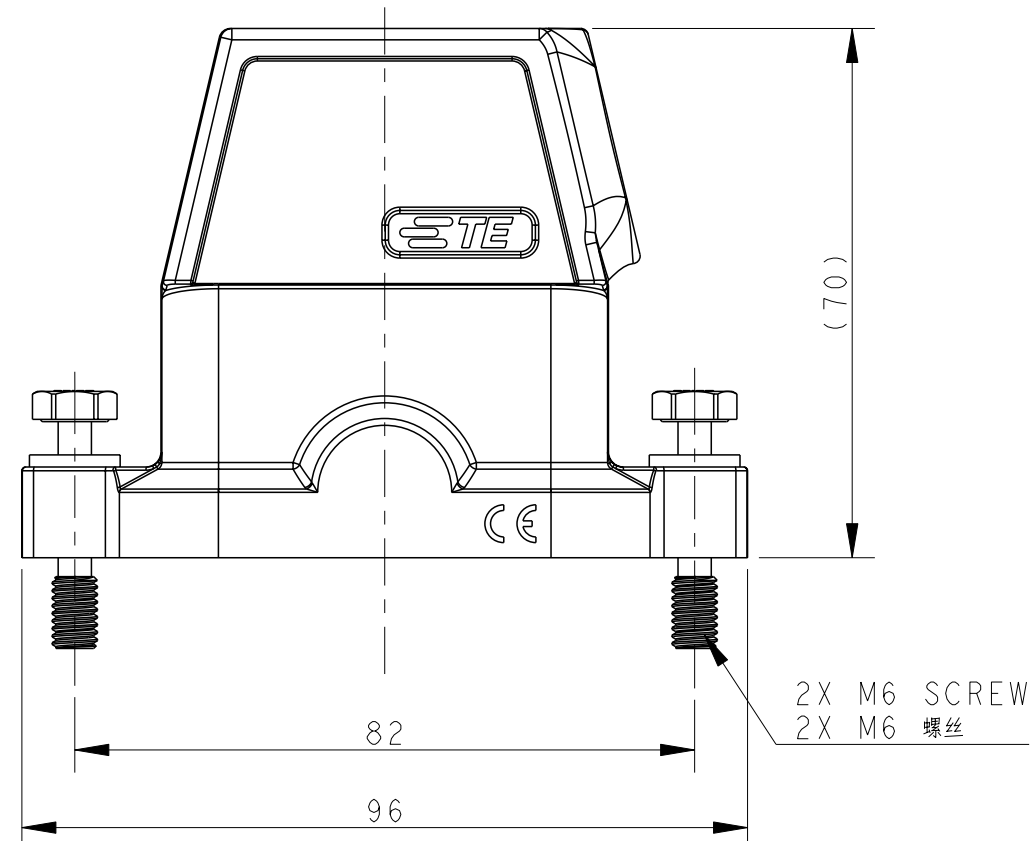
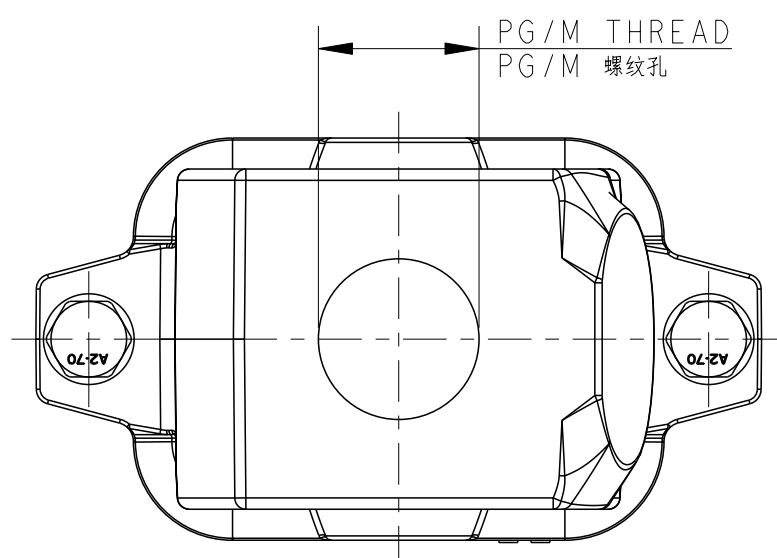


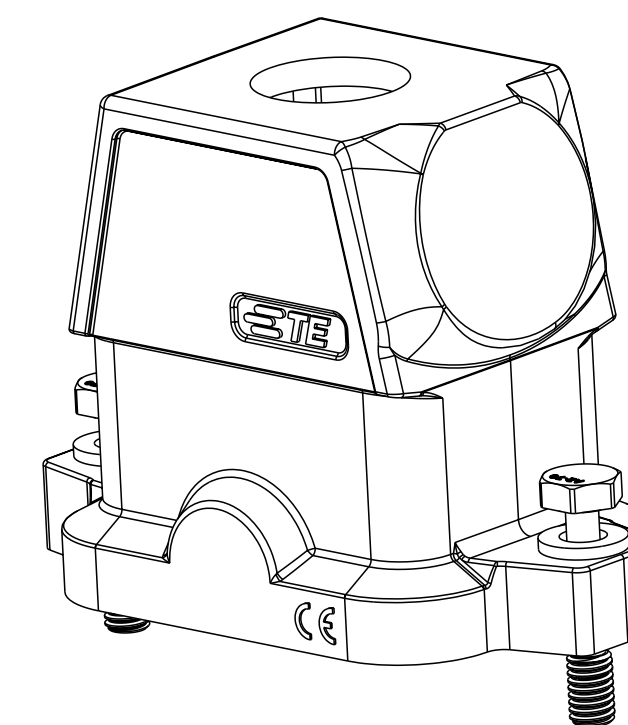
THIS DRAWING IS UNPUBLISHED. RELEASED FOR PUBLICATION 20  
 © COPYRIGHT 20 BY - ALL RIGHTS RESERVED.

REVISIONS					
P	LTR	DESCRIPTION	DATE	DWN	APVD
A		INITIAL RELEASE	18OCT2016	DW	CW
B		ECR-20-016312	04JUN2021	BS	CW



NOTES:  
 1. TECHNICAL CHARACTERISTICS:  
 HOOD MATERIAL: DIE CAST ALUMINIUM ALLOY  
 SURFACE TREATMENT: SEE TABLE  
 DEGREE OF PROTECTION: IP68 (MATED)

注释:  
 1. 技术参数:  
 壳体材料: 铝合金  
 表面处理: 见表格  
 防护等级: IP68 (配合)




THIS DRAWING IS A CONTROLLED DOCUMENT.		DWN 18OCT2016 DAVID WANG	<b>STE</b> TE Connectivity		
DIMENSIONS: mm		CHK 18OCT2016 CHRIS WANG			
TOLERANCES UNLESS OTHERWISE SPECIFIED:		APVD 18OCT2016 XIANG XU	NAME H6BPR-TGHC-PG/M-EMC-C		
0 PLC ±-		PRODUCT SPEC 108-137191	SIZE A2	CAGE CODE -	DRAWING NO. C-T192206XXXX009
1 PLC ±-		APPLICATION SPEC 114-137191	SCALE 1:1	SHEET 1 OF 2	RESTRICTED TO -
2 PLC ±-		MATERIAL -	Customer Drawing		
3 PLC ±-		FINISH -	REV B		
4 PLC ±-					
ANGLES ±-					

THIS DRAWING IS UNPUBLISHED. RELEASED FOR PUBLICATION 20  
 © COPYRIGHT 20 BY - ALL RIGHTS RESERVED.

REVISIONS				
P	LTR	DESCRIPTION	DATE	APVD
-		SEE SHEET 1	-	-

NOTES:  
SEE SHEET 1

T1922062132-009	H6BPR-TGHC-M32-EMC-C	H6BPR HOOD, CENTER LOCKING, TOP ENTRY M32, POWDER COATED, GREY H6BPR中部锁定顶出上壳M32 灰色	M32
T1922062129-009	H6BPR-TGHC-PG29-EMC-C	H6BPR HOOD, CENTER LOCKING, TOP ENTRY PG29, POWDER COATED, GREY H6BPR中部锁定顶出上壳PG29 灰色	PG29
T1922062125-009	H6BPR-TGHC-M25-EMC-C	H6BPR HOOD, CENTER LOCKING, TOP ENTRY M25, POWDER COATED, GREY H6BPR中部锁定顶出上壳M25 灰色	M25
T1922062121-009	H6BPR-TGHC-PG21-EMC-C	H6BPR HOOD, CENTER LOCKING, TOP ENTRY PG21, POWDER COATED, GREY H6BPR中部锁定顶出上壳PG21 灰色	PG21
T1922062120-009	H6BPR-TGHC-M20-EMC-C	H6BPR HOOD, CENTER LOCKING, TOP ENTRY M20, POWDER COATED, GREY H6BPR中部锁定顶出上壳M20 灰色	M20
T1922062116-009	H6BPR-TGHC-PG16-EMC-C	H6BPR HOOD, CENTER LOCKING, TOP ENTRY PG16, POWDER COATED, GREY H6BPR中部锁定顶出上壳PG16 灰色	PG16
T1922061132-009	H6BPR-TGHC-M32-EMC-C	H6BPR HOOD, CENTER LOCKING, TOP ENTRY M32, POWDER COATED, SILVER WHITE H6BPR中部锁定顶出上壳M32 银白色	M32
T1922061129-009	H6BPR-TGHC-PG29-EMC-C	H6BPR HOOD, CENTER LOCKING, TOP ENTRY PG29, POWDER COATED, SILVER WHITE H6BPR中部锁定顶出上壳PG29 银白色	PG29
T1922061125-009	H6BPR-TGHC-M25-EMC-C	H6BPR HOOD, CENTER LOCKING, TOP ENTRY M25, POWDER COATED, SILVER WHITE H6BPR中部锁定顶出上壳M25 银白色	M25
T1922061121-009	H6BPR-TGHC-PG21-EMC-C	H6BPR HOOD, CENTER LOCKING, TOP ENTRY PG21, POWDER COATED, SILVER WHITE H6BPR中部锁定顶出上壳PG21 银白色	PG21
T1922061120-009	H6BPR-TGHC-M20-EMC-C	H6BPR HOOD, CENTER LOCKING, TOP ENTRY M20, POWDER COATED, SILVER WHITE H6BPR中部锁定顶出上壳M20 银白色	M20
T1922061116-009	H6BPR-TGHC-PG16-EMC-C	H6BPR HOOD, CENTER LOCKING, TOP ENTRY PG16, POWDER COATED, SILVER WHITE H6BPR中部锁定顶出上壳PG16 银白色	PG16
T1922060132-009	H6BPR-TGHC-M32-EMC-C	H6BPR HOOD, CENTER LOCKING, TOP ENTRY M32, POWDER COATED, BLACK H6BPR中部锁定顶出上壳M32 黑色	M32
T1922060129-009	H6BPR-TGHC-PG29-EMC-C	H6BPR HOOD, CENTER LOCKING, TOP ENTRY PG29, POWDER COATED, BLACK H6BPR中部锁定顶出上壳PG29 黑色	PG29
T1922060125-009	H6BPR-TGHC-M25-EMC-C	H6BPR HOOD, CENTER LOCKING, TOP ENTRY M25, POWDER COATED, BLACK H6BPR中部锁定顶出上壳M25 黑色	M25
T1922060121-009	H6BPR-TGHC-PG21-EMC-C	H6BPR HOOD, CENTER LOCKING, TOP ENTRY PG21, POWDER COATED, BLACK H6BPR中部锁定顶出上壳PG21 黑色	PG21
T1922060120-009	H6BPR-TGHC-M20-EMC-C	H6BPR HOOD, CENTER LOCKING, TOP ENTRY M20, POWDER COATED, BLACK H6BPR中部锁定顶出上壳M20 黑色	M20
T1922060116-009	H6BPR-TGHC-PG16-EMC-C	H6BPR HOOD, CENTER LOCKING, TOP ENTRY PG16, POWDER COATED, BLACK H6BPR中部锁定顶出上壳PG16 黑色	PG16
PART NUMBER 料号	DESCRIPTION 描述		PG/M THREAD PG/M 螺纹

THIS DRAWING IS A CONTROLLED DOCUMENT.		DWN DAVID WANG 18OCT2016	 TE Connectivity	
		CHK CHRIS WANG 18OCT2016		
DIMENSIONS: mm		APVD XIANG XU 18OCT2016	NAME H6BPR-TGHC-PG/M-EMC-C	
TOLERANCES UNLESS OTHERWISE SPECIFIED: 0 PLC ±- 1 PLC ±- 2 PLC ±- 3 PLC ±- 4 PLC ±- ANGLES ±- FINISH		PRODUCT SPEC 108-137191	RESTRICTED TO	
MATERIAL		APPLICATION SPEC 114-137191	SIZE A2	CAGE CODE
		WEIGHT	DRAWING NO G-T192206XXXX009	
		Customer Drawing		SCALE 1:1 SHEET 2 OF 2 REV B

Printed on 8 Jun 2021 09:19 (China Standard Time) from TE236667

## X-ON Electronics

Largest Supplier of Electrical and Electronic Components

*Click to view similar products for [Heavy Duty Power Connectors](#) category:*

*Click to view products by [TE Connectivity](#) manufacturer:*

Other Similar products are found below :

[647757-1](#) [6643411-1](#) [6646058-2](#) [6646137-1](#) [6646138-1](#) [6646479-1](#) [6646608-1](#) [6646786-1](#) [6646940-1](#) [6651091-1](#) [6651525-1](#) [6651529-1](#)  
[6651788-1](#) [696475-1](#) [702-32-01109](#) [703-25-02205](#) [73000005059](#) [73000005642](#) [73080255059](#) [73080965046](#) [765-15-0080A](#) [765-16-0080B](#)  
[765-18-0080D](#) [829992-1](#) [902-77-02113](#) [PS00/A0620/6300](#) [PS25/A0420/63](#) [129-1J](#) [1409400](#) [AN0024023](#) [E6374G1](#) [e6389g2](#) [157-43GW8](#)  
[MS3117-14AC](#) [1643543-1](#) [1650540-1](#) [1651811-2](#) [1766260-1](#) [1766282-1](#) [1766966-1](#) [1791340000](#) [NLDFT-3-BL-L-S120-M40A](#) [NLDFT-N-](#)  
[W-L-C240-M40B](#) [NLS-2-R-C240-M40B](#) [NLS-N-W-C240-M40B](#) [NPS-3-BL-T6](#) [1986615-1](#) [2-1589900-8](#) [2199314-1](#) [KA8102](#)