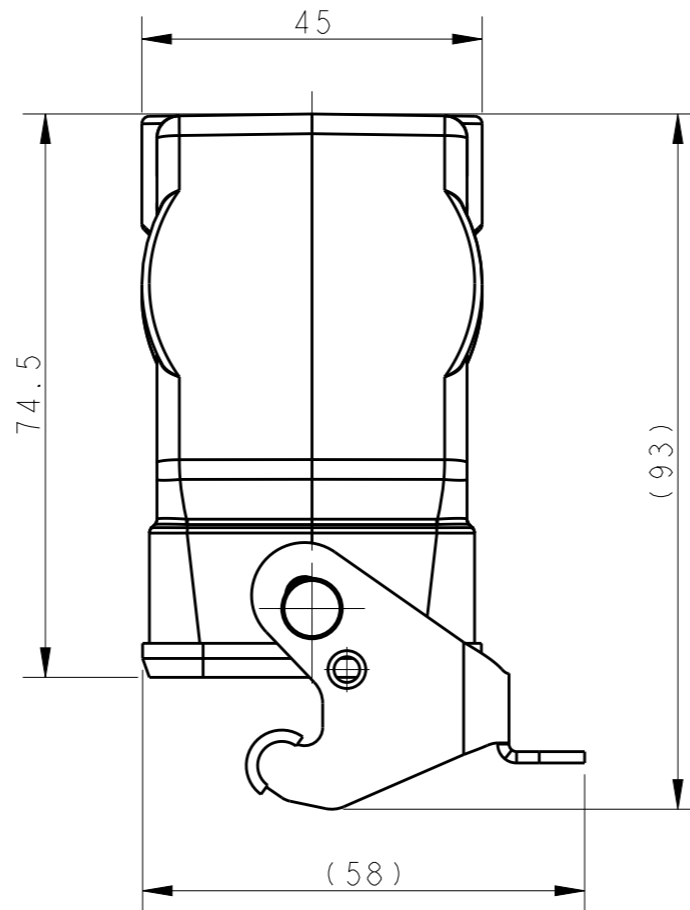
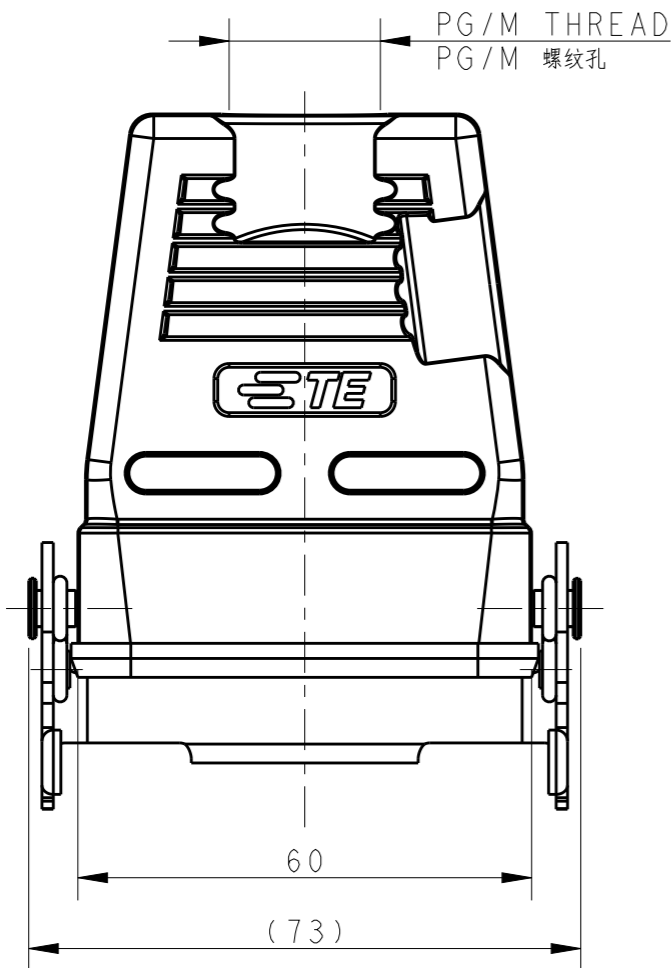


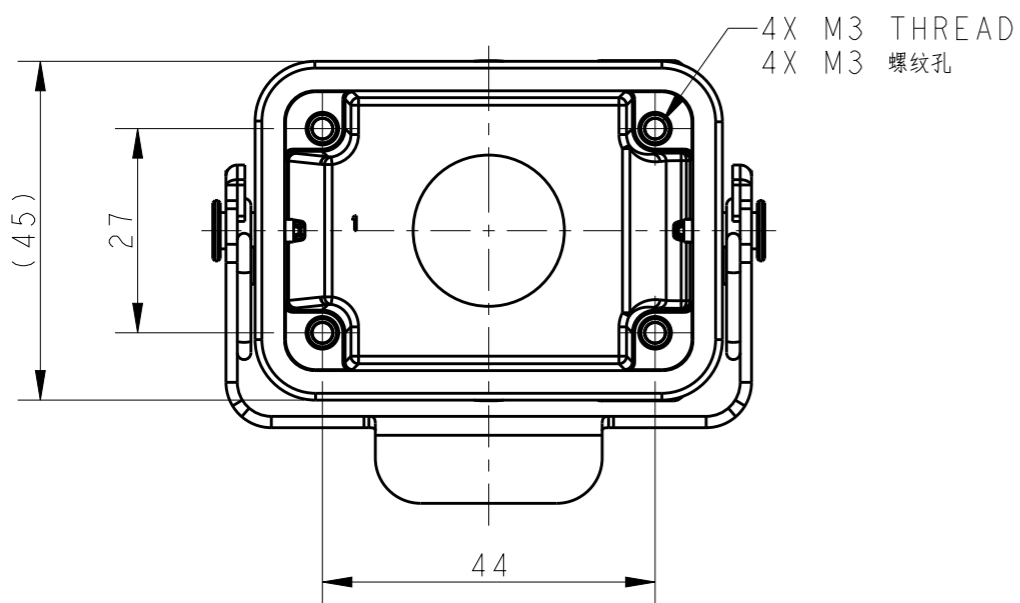
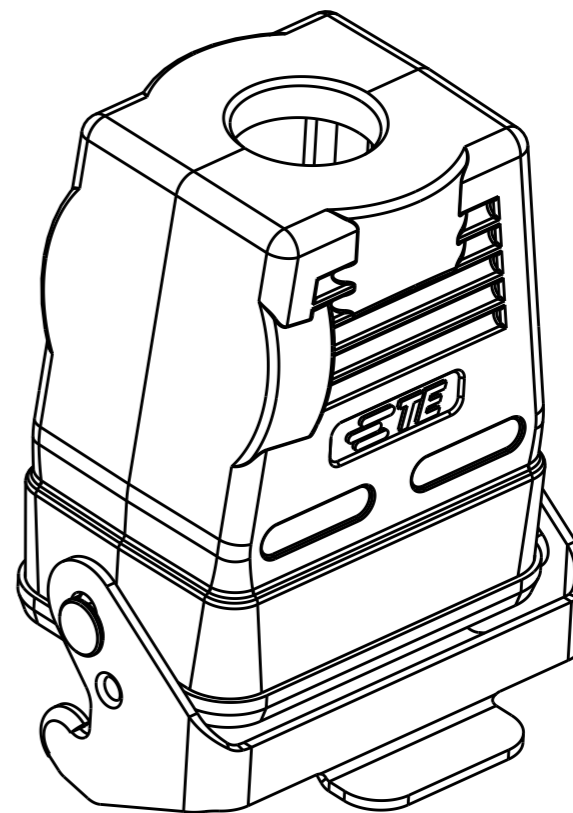
THIS DRAWING IS UNPUBLISHED. RELEASED FOR PUBLICATION 20
 © COPYRIGHT 20 BY - ALL RIGHTS RESERVED.


REVISIONS					
P	LTR	DESCRIPTION	DATE	DWN	APVD
	A	INITIAL	23JUN2015	DW	CW
	A1	ECR-15-012067	10AUG2015	DW	CW
	A2	ECR-18-017123	09NOV2018	KW	CW



NOTES:
 1. TECHNICAL CHARACTERISTICS:
 HOUSING MATERIAL: DIE CAST ALUMINIUM ALLOY
 SURFACE: POWDER COATED, GREY
 DEGREE OF PROTECTION: IP65 (MATED)

注释:
 1. 技术参数:
 下壳材料: 铝合金
 表面处理: 粉末涂层, 灰色
 防护等级: IP65(配合)



THIS DRAWING IS A CONTROLLED DOCUMENT.		DWN 23JUN2015 David Wang	 TE Connectivity NAME H6B-TBFH-M/PG							
DIMENSIONS: mm		CHK 23JUN2015 Chris Wang				PRODUCT SPEC 108-137013	SIZE A3	CAGE CODE 00779	DRAWING NO. C-T17700631XX000	RESTRICTED TO
TOLERANCES UNLESS OTHERWISE SPECIFIED: 0 PLC ±- 1 PLC ±- 2 PLC ±- 3 PLC ±- 4 PLC ±- ANGLES ±-		APVD 23JUN2015 Xiang Xu				APPLICATION SPEC 114-137013	SCALE 1:1		SHEET 1 OF 2	REV A2
MATERIAL -		FINISH -				WEIGHT -	Customer Drawing			

THIS DRAWING IS UNPUBLISHED.

RELEASED FOR PUBLICATION 20

© COPYRIGHT 20 BY - ALL RIGHTS RESERVED.

REVISIONS

P	LTR	DESCRIPTION	DATE	DWN	APVD
	-	SEE SHEET 1	-	-	-

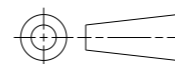
NOTES:
SEE SHEET 1.
注释:
见第1页.

T1770063116-000	H6B-TBFH-PG16	H6B HOUSING,CABLE-TO-CABLE,METAL SINGLE LOCKING, HIGH CONSTRUCTION,PG16,POWDER COATED,GREY H6B下壳,电缆对接,彩锌单扣,高结构,PG16,灰色粉末喷涂	PG16
T1770063120-000	H6B-TBFH-M20	H6B HOUSING,CABLE-TO-CABLE,METAL SINGLE LOCKING, HIGH CONSTRUCTION,M20,POWDER COATED,GREY H6B下壳,电缆对接,彩锌单扣,高结构,M20,灰色粉末喷涂	M20
T1770063121-000	H6B-TBFH-PG21	H6B HOUSING,CABLE-TO-CABLE,METAL SINGLE LOCKING, HIGH CONSTRUCTION,PG21,POWDER COATED,GREY H6B下壳,电缆对接,彩锌单扣,高结构,PG21,灰色粉末喷涂	PG21
T1770063125-000	H6B-TBFH-M25	H6B HOUSING,CABLE-TO-CABLE,METAL SINGLE LOCKING, HIGH CONSTRUCTION,M25,POWDER COATED,GREY H6B下壳,电缆对接,彩锌单扣,高结构,M25,灰色粉末喷涂	M25
T1770063129-000	H6B-TBFH-PG29	H6B HOUSING,CABLE-TO-CABLE,METAL SINGLE LOCKING, HIGH CONSTRUCTION,PG29,POWDER COATED,GREY H6B下壳,电缆对接,彩锌单扣,高结构,PG29,灰色粉末喷涂	PG29
T1770063132-000	H6B-TBFH-M32	H6B HOUSING,CABLE-TO-CABLE,METAL SINGLE LOCKING, HIGH CONSTRUCTION,M32,POWDER COATED,GREY H6B下壳,电缆对接,彩锌单扣,高结构,M32,灰色粉末喷涂	M32
PART NUMBER 料号	PART DESCRIPTION 描述		PG/M THREAD PG/M 螺纹孔

THIS DRAWING IS A CONTROLLED DOCUMENT.

DIMENSIONS:

mm



TOLERANCES UNLESS OTHERWISE SPECIFIED:

0 PLC	±-
1 PLC	±-
2 PLC	±-
3 PLC	±-
4 PLC	±-
ANGLES	±-

MATERIAL

-

FINISH

-

DWN 23JUN2015

David Wang

CHK 23JUN2015

Chris Wang

APVD 23JUN2015

Xiang Xu

PRODUCT SPEC

108-137013

APPLICATION SPEC

114-137013

WEIGHT

-

Customer Drawing



TE Connectivity

NAME H6B-TBFH-M/PG

SIZE CAGE CODE DRAWING NO RESTRICTED TO

A3 00779 C-T17700631XX000 -

SCALE 1:1 SHEET 2 OF 2 REV A2

X-ON Electronics

Largest Supplier of Electrical and Electronic Components

Click to view similar products for te connectivity manufacturer:

Other Similar products are found below :

[570416-000](#) [CLTEQ-M81CE-SSRELAY-4-20V](#) [4-1633138-8](#) [1-2217206-1](#) [D38999/24FJ4AN](#) [358838-000](#) [4-1195131-0](#) [650069-000](#)
[SMD100-2](#) [CB-1022B-78](#) [RM707012](#) [RP410012](#) [MMS42](#) [1-640426-8](#) [2EDL4CM](#) [DTS20W19-11PD-3028](#) [DTS20W19-11PD-3028-LC](#)
[DTS20W19-32SD-3028-LC](#) [DTS20W19-32SD-3028](#) [RM202615](#) [NC6-P104-06](#) [TXR64AB90-3616AI](#) [MSPS103B](#) [DTS26F21-41HE](#)
[DTS26F21-41AE](#) [DTS26F21-41PE-LC](#) [DTS26F21-11SE-3028-LC](#) [1932144-1](#) [293545-4](#) [LVR125S](#) [MS27466T25F4PB](#) [CKB-38-78010](#)
[1206SFF150F/63-2](#) [5-2027513-8](#) [D38999/20JB35HA](#) [D38999/24WJ20PA](#) [1754138-1](#) [TE1500A2R2J](#) [DTS24F25-29PC-3028-LC](#) [164-8033-](#)
[08](#) [D38999/24WG11HA](#) [D38999/24WG11HN](#) [MS27467T21F11H](#) [DJT16E21-11HA](#) [1206SFH150F/24-2](#) [1-532955-3](#) [DTS20W19-32SA-](#)
[3028-LC](#) [DTS24F19-11SC-3028-LC](#) [DTS24F19-11SC-3028](#) [D38999/20WC8BB](#)