

4

3

2

1

THIS DRAWING IS UNPUBLISHED.

RELEASED FOR PUBLICATION

20

© COPYRIGHT 20 BY -

ALL RIGHTS RESERVED.

REVISIONS

P	LTR	DESCRIPTION	DATE	DWN	APVD
A		INITIAL RELEASE	18DEC2014	DW	CW
B		ECR-15-013750	21SEP2015	DW	CW
B1		ECR-15-016224	05NOV2015	DW	CW
B2		ECR-16-018198	09JAN2017	QY	CW

M3 SCREW,
RECOMMENDED
TIGHTENING
TORQUE 0.5Nm
M3螺丝, 推荐锁紧力矩0.5Nm

NOTES:

1. TECHNICAL CHARACTERISTICS:
INSULATION MATERIAL: PC
RATED VOLTAGE: 250 V
RATED CURRENT: 10 A
INSULATION RESISTANCE: $\geq 400M\Omega$
RATED IMPULSE VOLTAGE: 2.5 KV
POLLUTION DEGREE: 3
FLAMMABILITY: UL94V-0
MATING CYCLES: 500 CYCLES
WIRE RANGE: 0.5-2.5 mm² (20-14 AWG)
CONTACT FINISH: SILVER PLATED
CONTACT TYPE: SCREW CONTACT

注释:

1. 技术参数:
绝缘材料: PC
额定电压: 250V
额定电流: 10A
绝缘电阻: $\geq 400M\Omega$
额定脉冲电压: 2.5 KV
污染等级: 3
阻燃等级: UL94V-0
插拔次数: 500 次
接线范围: 0.5-2.5 mm² (20-14 AWG)
端子表面处理: 镀银
接线类型: 螺丝连接

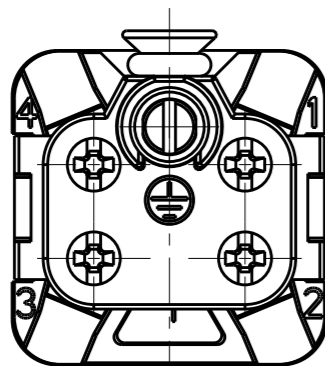
TYPE-1:T2010042201-000 TE LOGO
类型-1:T2010042201-000 TE LOGO

DIMENSIONS:		TOLERANCES UNLESS OTHERWISE SPECIFIED:		DWN		TE Connectivity	
mm		0 PLC	±-	DAVID WANG	18DEC2014		
		1 PLC	±-	CHRIS WANG	18DEC2014		
		2 PLC	±-	XU XIANG	18DEC2014		
		3 PLC	±-	NAME			
		4 PLC	±-	PRODUCT SPEC		108-137045	
MATERIAL		FINISH	±-	APPLICATION SPEC		SIZE	
-		-		114-137045		CAGE CODE	
-		-		WEIGHT		DRAWING NO	
				Customer Drawing		RESTRICTED TO	
						A300779	
						SCALE	
						2:1	
						SHEET	
						1 OF 2	
						REV	
						B2	

1470-19 (3/13)

REVISIONS

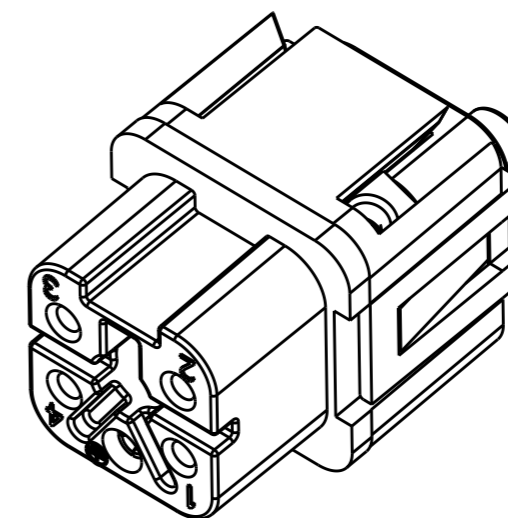
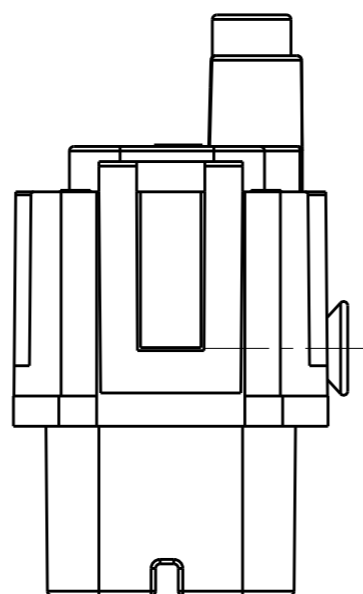
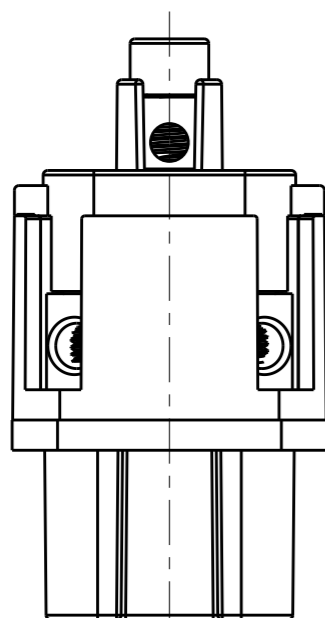
P	LTR	DESCRIPTION	DATE	DWN	APVD
-	-	SEE SHEET 1	-	-	-



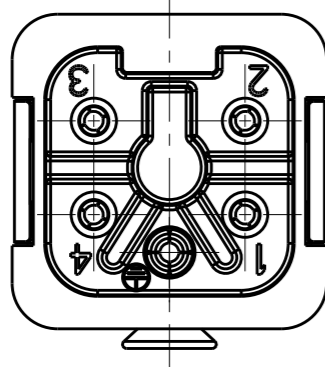
ALL DIMENSIONS ARE SAME AS TYPE 1,
EXCEPT THOSE DEFINED IN THIS TYPE.
除了在本类型中定义的尺寸外, 其它尺寸同类型 1

NOTES:
SEE SHEET 1


注释:
见页 1



TYPE-2: T2010042201-001 STAINLESS STEEL SCREW, NO LOGO
类型-2: T2010042201-001 不锈钢螺丝, 无LOGO



T2010042201-001	HA-004-F	HA-004 FEMALE INSERT, SIDE OUTLET, TOP LOCK SCREW, STAINLESS STEEL SCREW, NO LOGO HA-004母插, 侧面出线顶部锁螺丝, 不锈钢螺丝, 无LOGO	TYPE-2 类型-2
T2010042201-000	HA-004-F	HA-004 FEMALE INSERT, SIDE OUTLET, TOP LOCK SCREW HA-004母插, 侧面出线顶部锁螺丝	TYPE-1 类型-1
PART NUMBER 料号	PART DESCRIPTION 描述		TYPE 类型

THIS DRAWING IS A CONTROLLED DOCUMENT.		DWN 18DEC2014 DAVID WANG	 TE Connectivity	
DIMENSIONS: mm		CHK 18DEC2014 CHRIS WANG		
TOLERANCES UNLESS OTHERWISE SPECIFIED:		APVD 18DEC2014 XU XIANG	NAME HA-004-F	
0 PLC ±-		PRODUCT SPEC 108-137045	SIZE	
1 PLC ±-		APPLICATION SPEC 114-137045	CAGE CODE	
2 PLC ±-		WEIGHT	DRAWING NO	
3 PLC ±-		Customer Drawing	RESTRICTED TO	
4 PLC ±-			A300779	
ANGLES ±-			C-T2010042201000	
FINISH			SCALE 2:1	
-			SHEET 2 OF 2	
-			REV B2	

X-ON Electronics

Largest Supplier of Electrical and Electronic Components

Click to view similar products for IC & Component Sockets category:

Click to view products by TE Connectivity manufacturer:

Other Similar products are found below :

[714-43-102-31-012000](#) [0066-3-17-15-30-14-02-0](#) [0134-0-15-15-32-27-04-0](#) [614-DG5](#) [6527-0-00-15-00-00-03-0](#) [670](#) [672](#) [673](#) [712-93-120-41-001000](#) [714-93-104-31-018000](#) [8059-4G1-LF](#) [807-22-001-10-001101](#) [807-22-001-10-003101](#) [807-22-001-10-004101](#) [807-22-001-10-006101](#) [807-22-001-30-011101](#) [807-22-001-30-012101](#) [807-22-001-30-013101](#) [807-22-001-30-014101](#) [8-1437531-4](#) [8150-6P10](#) [833-93-034-10-001000](#) [835-43-014-10-001000](#) [851-41-006-10-001000](#) [851-43-008-20-001000](#) [851-43-014-20-001000](#) [851-93-006-20-001000](#) [851-93-010-20-001000](#) [853-43-020-10-001000](#) [86.010.0053.0](#) [116-43-306-41-003000](#) [116-43-308-41-007000](#) [116-87-308-41-007101](#) [PX-68LCC](#) [PX-84LCC](#) [121-13-318-41-001000](#) [121-13-320-41-001000](#) [121-13-308-41-001000](#) [123-43-314-41-801000](#) [123-43-420-41-001000](#) [123-43-636-41-001000](#) [123-87-320-41-001101](#) [122-13-316-41-001000](#) [123-13-624-41-001000](#) [123-43-306-41-001000](#) [123-43-322-41-801000](#) [123-43-428-41-001000](#) [123-43-624-41-001000](#) [12-3513-11](#) [123-91-320-41-001000](#)