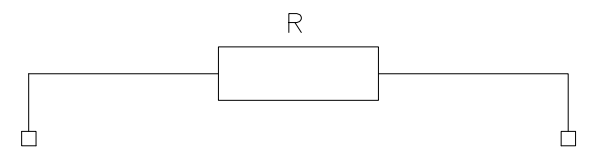
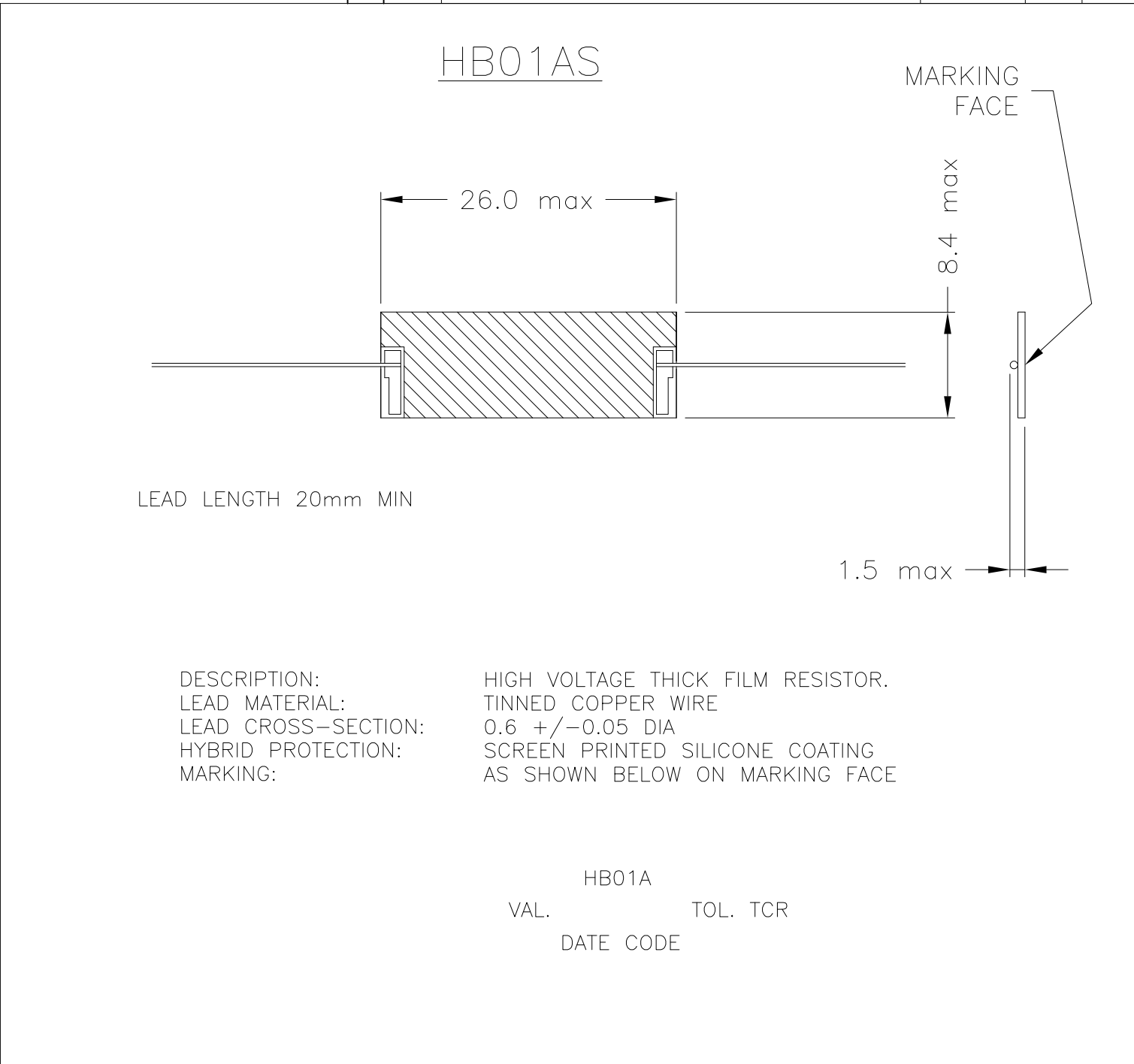
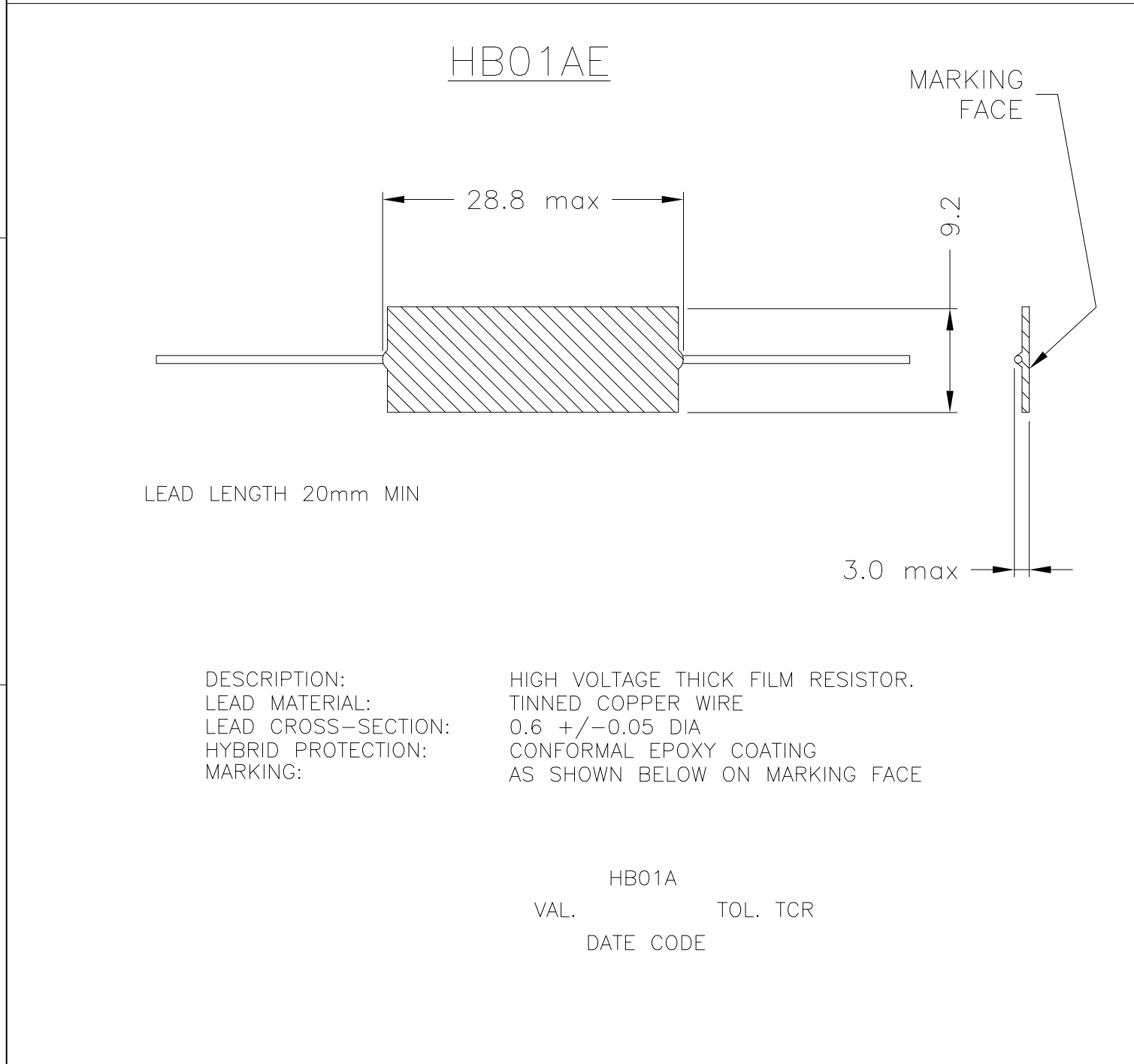


THIS DRAWING IS UNPUBLISHED. RELEASED FOR PUBLICATION
 © COPYRIGHT - By - ALL RIGHTS RESERVED.

LOC	DIST	REVISIONS					
E	B	P	LTR	DESCRIPTION	DATE	DWN	APVD
		B2		ECR-15-012328	19AUG2015	KR	TN



FOR A SPECIFIC PN FOR A RESISTANCE VALUE AND TOLERANCE, PLEASE REFER TO DMF.

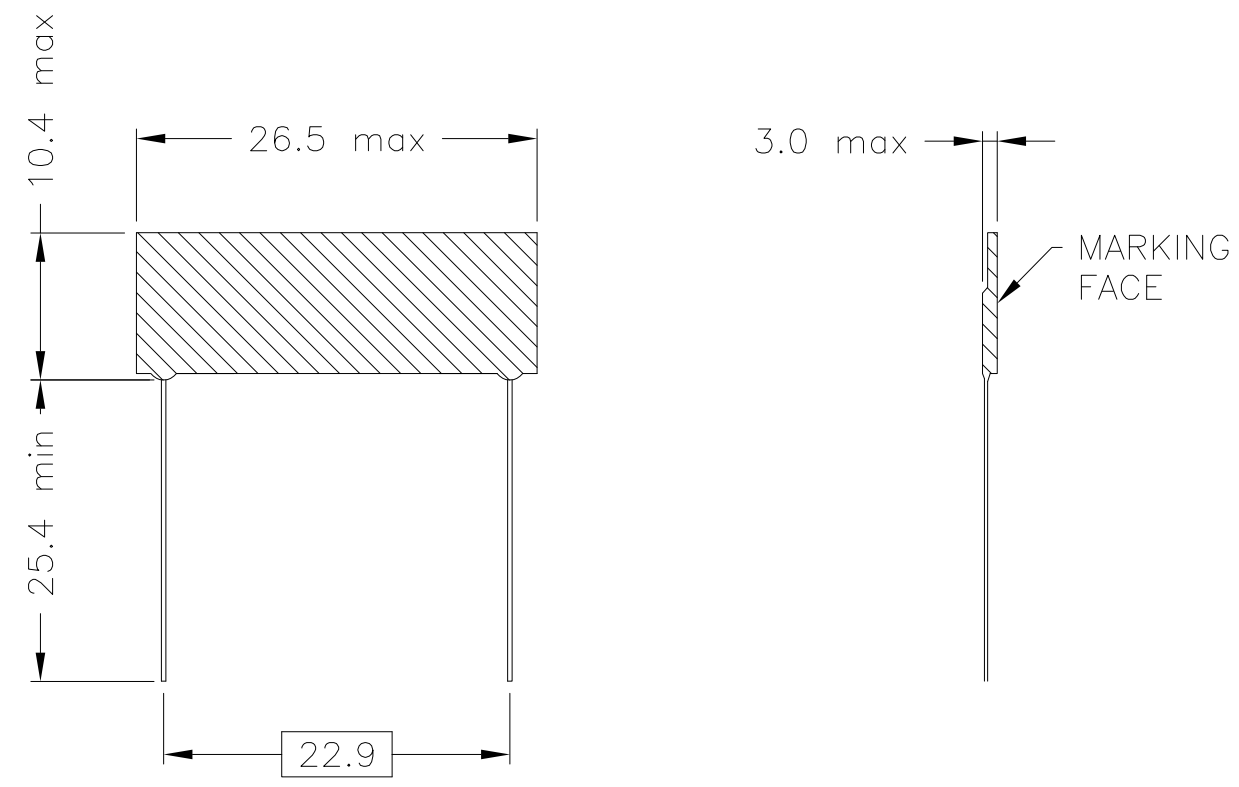
RoHS Compliant

THIS DRAWING IS A CONTROLLED DOCUMENT.		DWN 31OCT2005 DAVE KENNEDY	STE TE Connectivity	
DIMENSIONS: MM		CHK 01NOV05 J CATCHPOLE		
TOLERANCES UNLESS OTHERWISE SPECIFIED:		APVD 01NOV05 J CATCHPOLE	NAME HB01	
0 PLC ± -		PRODUCT SPEC	-	
1 PLC ± -		APPLICATION SPEC	-	
2 PLC ± -		WEIGHT -	SIZE A3	CAGE CODE 00779
3 PLC ± -		MATERIAL -	DRAWING NO C-1625958	
4 PLC ± -			RESTRICTED TO -	
ANGLES ± -		CUSTOMER DRAWING		SCALE NTS
FINISH -		SHEET 1 OF 2		REV B2

THIS DRAWING IS UNPUBLISHED. RELEASED FOR PUBLICATION
 © COPYRIGHT - By - ALL RIGHTS RESERVED.

LOC	DIST	REVISIONS			
P	LTR	DESCRIPTION	DATE	DWN	APVD
		SEE SHEET 1	-	-	-

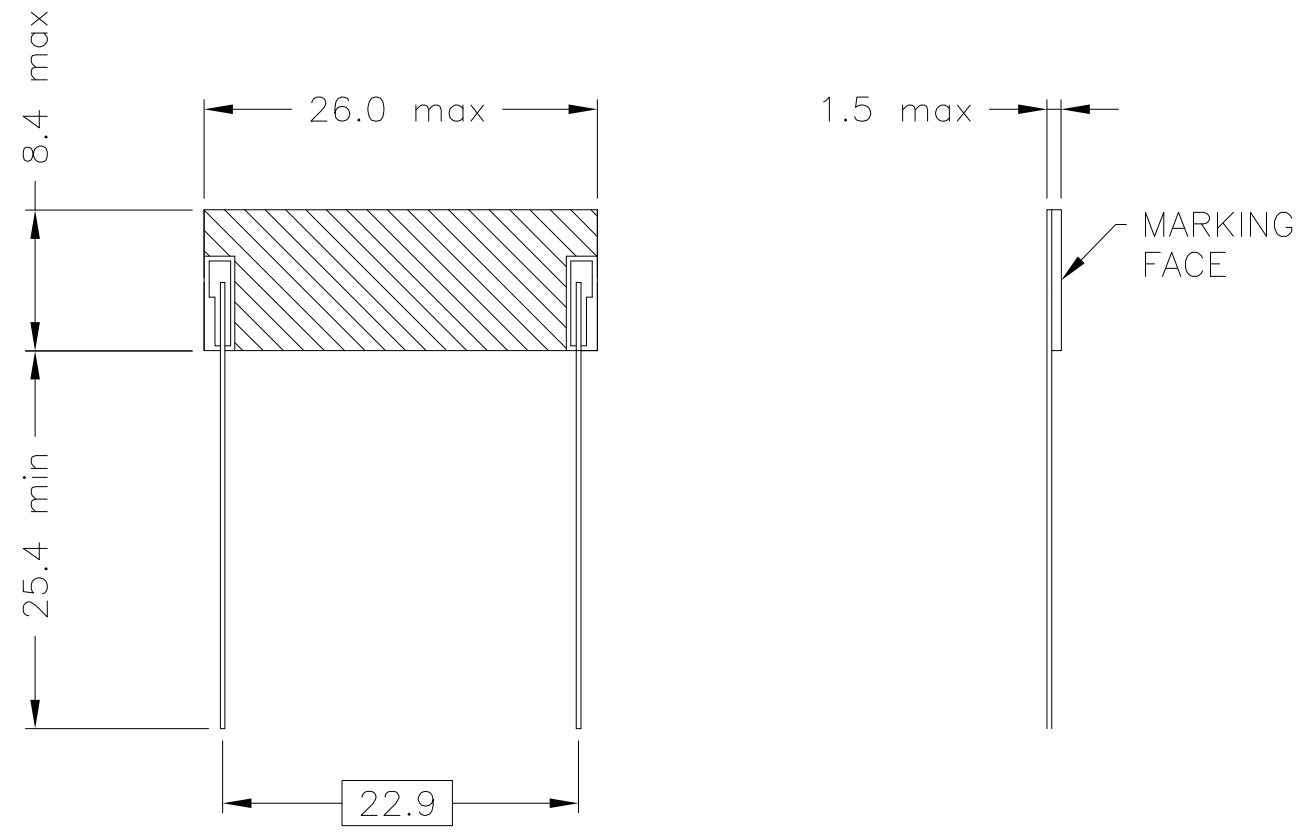
HB01RE



DESCRIPTION: HIGH VOLTAGE THICK FILM RESISTOR.
 LEAD MATERIAL: TINNED COPPER WIRE
 LEAD CROSS-SECTION: 0.6 +/-0.05 DIA
 HYBRID PROTECTION: CONFORMAL EPOXY COATING
 MARKING: AS SHOWN BELOW ON MARKING FACE

HB01R
 VAL. TOL. TCR
 DATE CODE

HB01RS



DESCRIPTION: HIGH VOLTAGE THICK FILM RESISTOR.
 LEAD MATERIAL: TINNED COPPER WIRE
 LEAD CROSS-SECTION: 0.6 +/-0.05 DIA
 HYBRID PROTECTION: SCREEN PRINTED SILICONE COATING
 MARKING: AS SHOWN BELOW ON MARKING FACE

HB01R
 VAL. TOL. TCR
 DATE CODE



TYPICAL SCHEMATIC

FOR A SPECIFIC PN FOR A RESISTANCE VALUE AND TOLERANCE, PLEASE REFER TO DMF.

RoHS Compliant

THIS DRAWING IS A CONTROLLED DOCUMENT.		DWN 31OCT2005 DAVE KENNEDY	STE TE Connectivity		
DIMENSIONS: MM		CHK 01NOV05 J CATCHPOLE			
TOLERANCES UNLESS OTHERWISE SPECIFIED:		APVD 01NOV05 J CATCHPOLE	PRODUCT SPEC -		RESTRICTED TO -
0 PLC ± -		PRODUCT SPEC -	APPLICATION SPEC -		
1 PLC ± -		APVD 01NOV05 J CATCHPOLE	SIZE	CAGE CODE	DRAWING NO
2 PLC ± -		PRODUCT SPEC -	A3 00779		C=1625958
3 PLC ± -		APPLICATION SPEC -	WEIGHT		-
4 PLC ± -		MATERIAL	CUSTOMER DRAWING		
ANGLES ± -		FINISH	SCALE		NTS
MATERIAL		SHEET		2 OF 2	
-		REV		B2	

X-ON Electronics

Largest Supplier of Electrical and Electronic Components

Click to view similar products for [Thick Film Resistors - Through Hole](#) category:

Click to view products by [TE Connectivity](#) manufacturer:

Other Similar products are found below :

[M8340104M4701GCD03](#) [M8340105K3300GGD03](#) [M8340105K3922FGD03](#) [M8340106K1002JCD03](#) [M8340107K1002GGD03](#)
[M8340107K1152FGD03](#) [M8340107K2701GCD03](#) [M8340107M2002GCD03](#) [M8340108K1000GCD03](#) [M8340108K5601GCD03](#)
[M8340108M2203GCD03](#) [M8340109K1002JCD03](#) [M8340109K1003GCD03](#) [M8340109K5101GGD03](#) [FHV05010M0FKRB](#) [MOX-2-125005F](#) [MP850-3.00-1%](#) [hte24511kf](#) [SM-SP093](#) [ARC3.11 2M J A](#) [M8340105K1001GCD03](#) [M8340105K3002GGD03](#)
[M8340105M1002JGD03](#) [M8340107K2001GGD03](#) [M8340107K4701GGD03](#) [M8340107K5101GGD03](#) [M8340107K5600GGD03](#)
[M8340108K4990FGD03](#) [M8340108K49R9FGD03](#) [M8340108M10R0GGD03](#) [M8340109K2202GGD03](#) [M8340109K5601GCD03](#) [MOX-GRD-001](#) [MOX-SP020](#) [MOX-SP025E](#) [M8340107K2001GCD03](#) [M8340102M4701GBD04](#) [M8340102K1002GBD04](#)
[M8340102K1002GAD04](#) [M8340109K2002GGD03](#) [M8340108K22R0GGD03](#) [M8340107M5100GGD03](#) [OE1305](#) [WMHP100-R22J](#)
[M8340104K39R2FCD03](#) [M8340106MA012JHD03](#) [M8340107K1003GGD03](#) [MS126-9.09K-0.1%](#) [MS126-249K-0.1%](#) [MS-221-82R5](#)