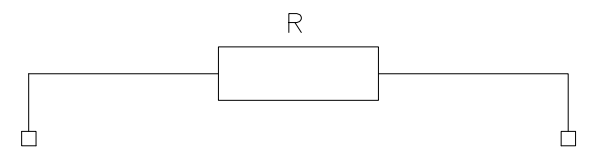
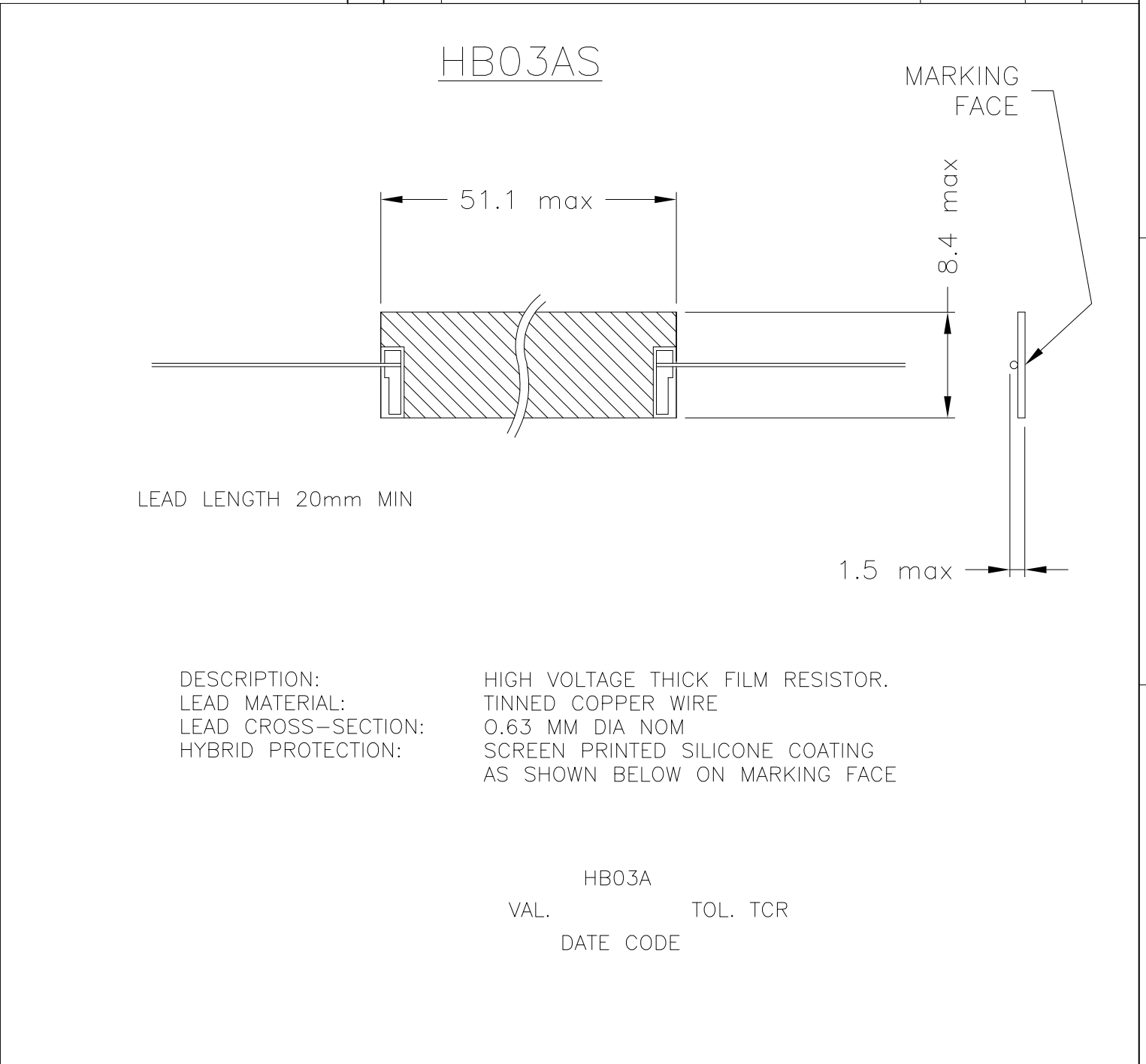
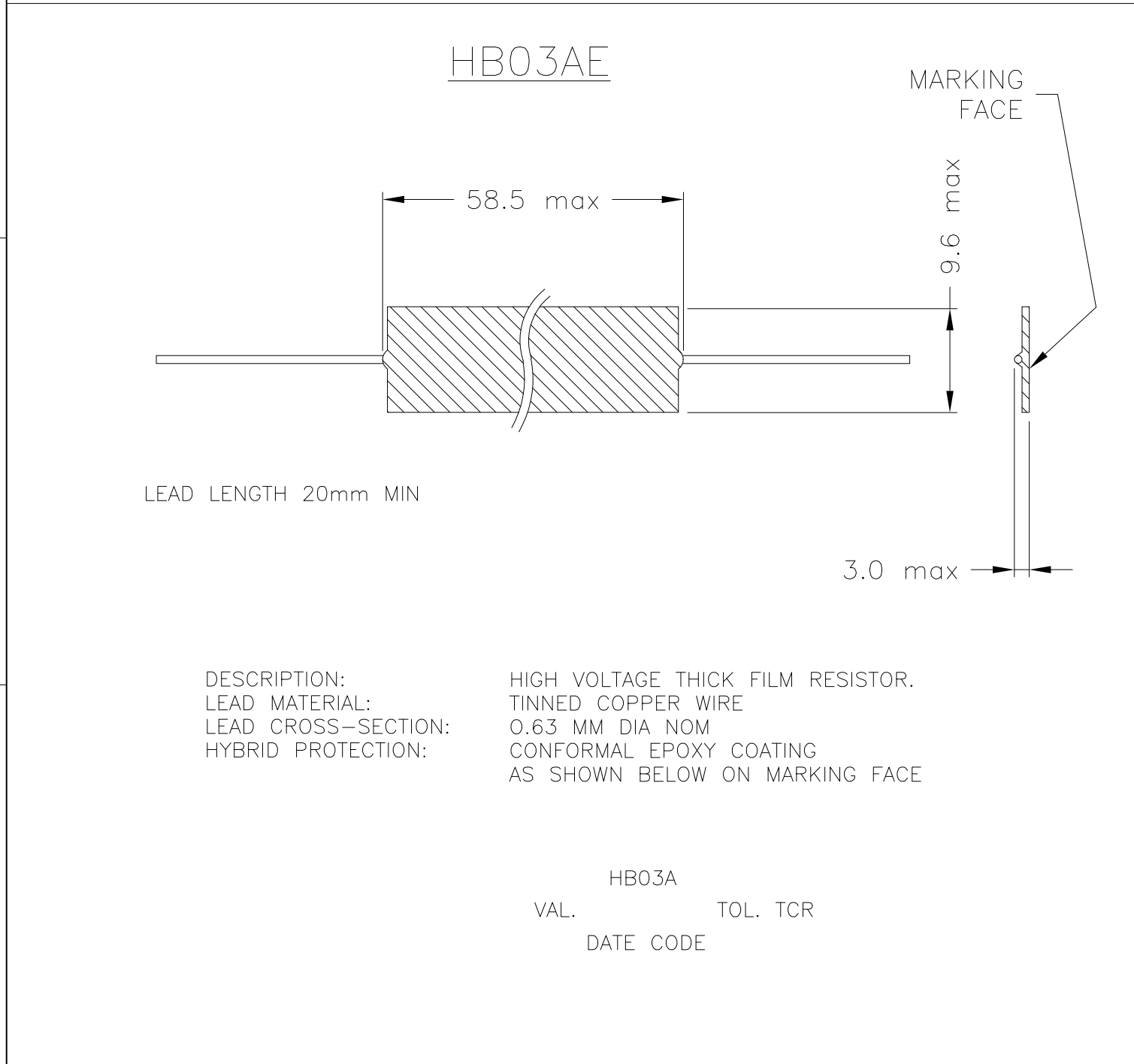


THIS DRAWING IS UNPUBLISHED. RELEASED FOR PUBLICATION
 © COPYRIGHT - By - ALL RIGHTS RESERVED.

LOC	DIST	REVISIONS			
P	LTR	DESCRIPTION	DATE	DWN	APVD
	B1	REVISED PER ECO-11-005150	21MAR11	RK	HMR



TYPICAL SCHEMATIC

FOR A SPECIFIC PN FOR A RESISTANCE VALUE AND TOLERANCE, PLEASE REFER TO DMF.

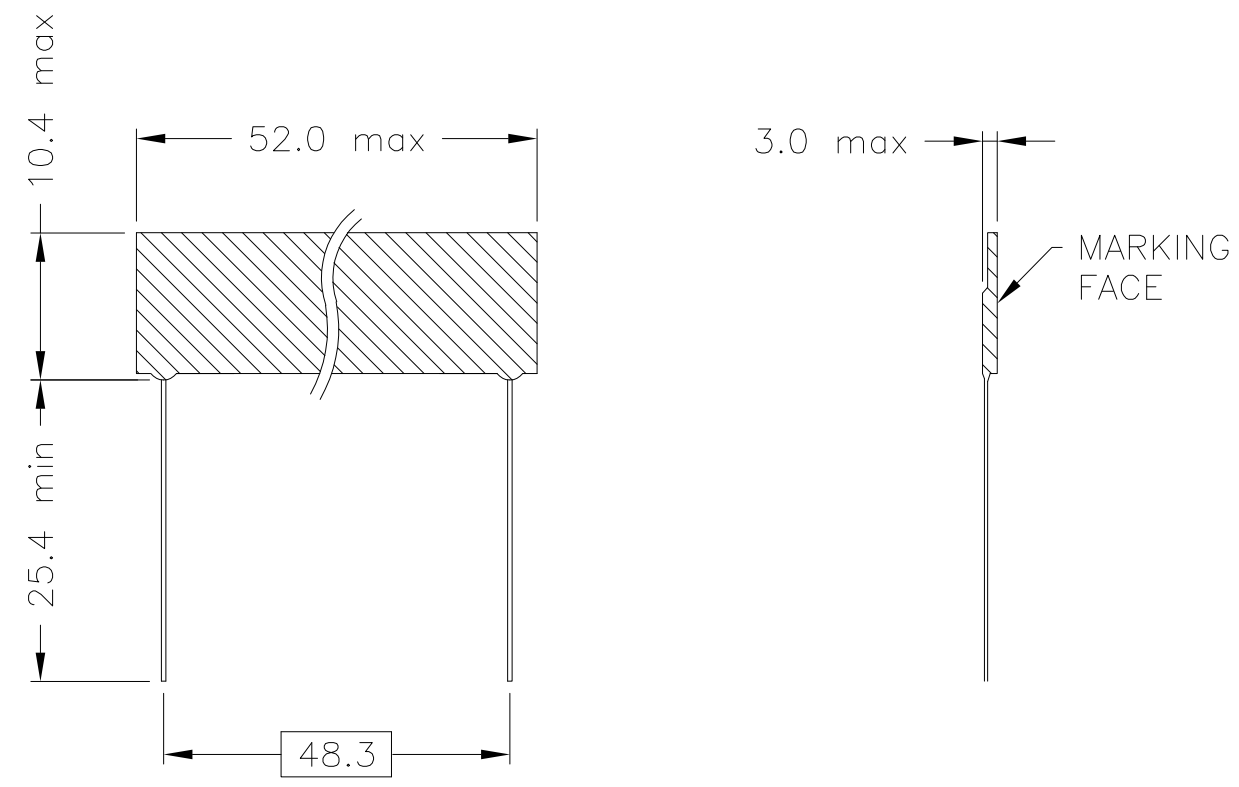
RoHS Compliant

THIS DRAWING IS A CONTROLLED DOCUMENT.		DWN 31OCT2005 DAVE KENNEDY	STE TE Connectivity	
DIMENSIONS: MM		CHK 01NOV05 J CATCHPOLE		
TOLERANCES UNLESS OTHERWISE SPECIFIED:		APVD 01NOV05 J CATCHPOLE	NAME HB03	
0 PLC ± -		PRODUCT SPEC	-	
1 PLC ± -		APPLICATION SPEC	-	
2 PLC ± -		WEIGHT -	SIZE A3	CAGE CODE 00779
3 PLC ± -		MATERIAL -	DRAWING NO C-1625959	
4 PLC ± -			RESTRICTED TO -	
ANGLES ± -		CUSTOMER DRAWING		SCALE NTS
FINISH -		SHEET 1 OF 2		REV B1

THIS DRAWING IS UNPUBLISHED. RELEASED FOR PUBLICATION
 © COPYRIGHT - By - ALL RIGHTS RESERVED.

LOC	DIST	REVISIONS					
E	B	P	LTR	DESCRIPTION	DATE	DWN	APVD
		B1		REVISED PER ECO-11-005150	21MAR11	RK	HMR

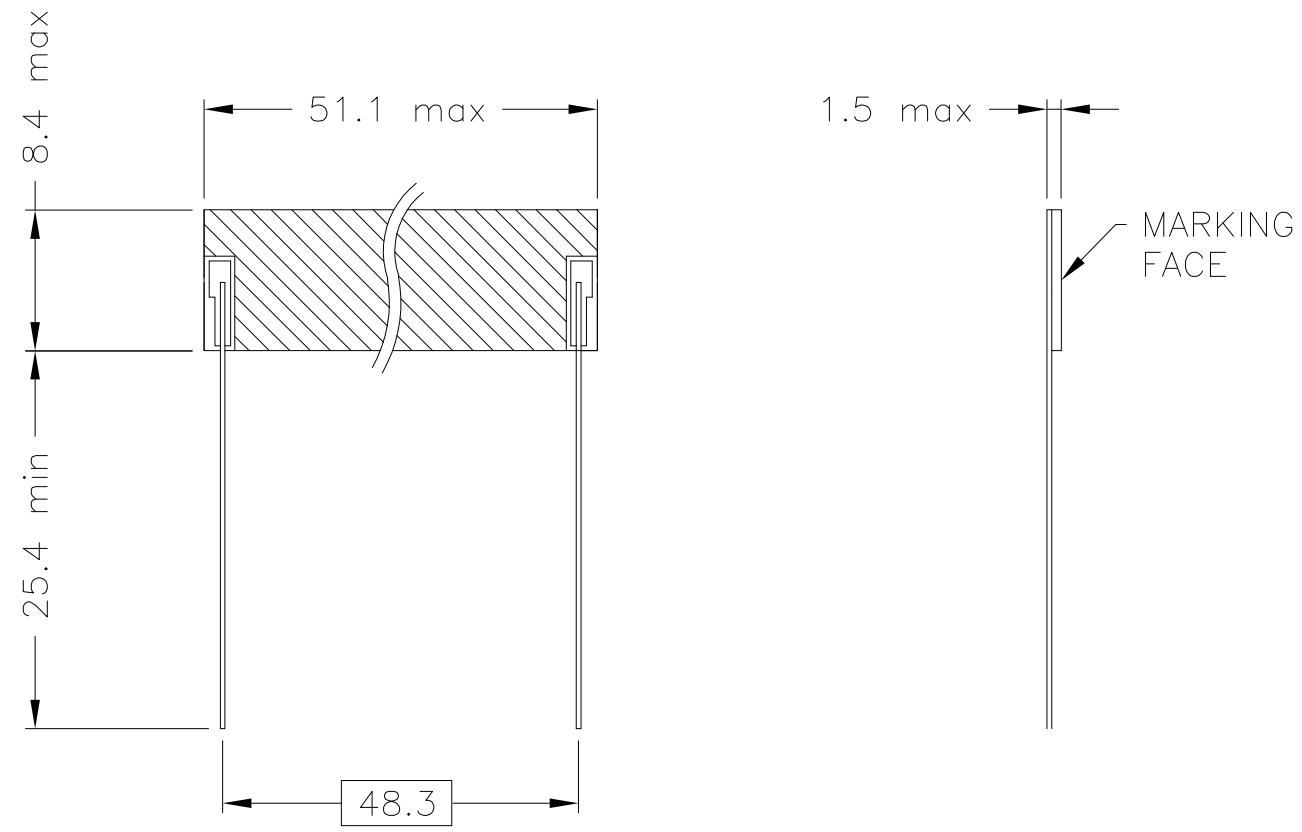
HB03RE



DESCRIPTION: HIGH VOLTAGE THICK FILM RESISTOR.
 LEAD MATERIAL: TINNED COPPER WIRE
 LEAD CROSS-SECTION: 0.63 MM DIA NOM
 HYBRID PROTECTION: CONFORMAL EPOXY COATING
 AS SHOWN BELOW ON MARKING FACE

HB01R
 VAL. TOL. TCR
 DATE CODE

HB03RS



DESCRIPTION: HIGH VOLTAGE THICK FILM RESISTOR.
 LEAD MATERIAL: TINNED COPPER WIRE
 LEAD CROSS-SECTION: 0.63 MM DIA NOM
 HYBRID PROTECTION: SCREEN PRINTED SILICONE COATING
 AS SHOWN BELOW ON MARKING FACE

HB01R
 VAL. TOL. TCR
 DATE CODE



TYPICAL SCHEMATIC

FOR A SPECIFIC PN FOR A RESISTANCE VALUE AND TOLERANCE, PLEASE REFER TO DMF.

RoHS Compliant

THIS DRAWING IS A CONTROLLED DOCUMENT.		DWN 31OCT2005 DAVE KENNEDY	STE TE Connectivity	
DIMENSIONS: MM		CHK 01NOV05 J CATCHPOLE		
TOLERANCES UNLESS OTHERWISE SPECIFIED:		APVD 01NOV05 J CATCHPOLE	NAME HB03	
0 PLC ± -		PRODUCT SPEC	-	
1 PLC ± -		APPLICATION SPEC	-	
2 PLC ± -		WEIGHT -	SIZE A3	CAGE CODE 00779
3 PLC ± -		MATERIAL -	DRAWING NO C-1625959	
4 PLC ± -			RESTRICTED TO -	
ANGLES ± -		CUSTOMER DRAWING		SCALE NTS
FINISH -		SHEET 2 OF 2		REV B1

X-ON Electronics

Largest Supplier of Electrical and Electronic Components

Click to view similar products for [Thick Film Resistors - Through Hole](#) *category:*

Click to view products by [TE Connectivity](#) *manufacturer:*

Other Similar products are found below :

[M8340104M4701GCD03](#) [M8340105K3300GGD03](#) [M8340105K3922FGD03](#) [M8340106K1002JCD03](#) [M8340107K1002GGD03](#)
[M8340107K1152FGD03](#) [M8340107K2701GCD03](#) [M8340107M2002GCD03](#) [M8340108K1000GCD03](#) [M8340108K5601GCD03](#)
[M8340108M2203GCD03](#) [M8340109K1002JCD03](#) [M8340109K1003GCD03](#) [M8340109K5101GGD03](#) [FHV05010M0FKRB](#) [MP850-3.00-1%
hte24511kf](#) [SM-SP093](#) [ARC3.11 2M J A](#) [M8340105K1001GCD03](#) [M8340105K3002GGD03](#) [M8340105M1002JGD03](#)
[M8340107K2001GGD03](#) [M8340107K4701GGD03](#) [M8340107K5101GGD03](#) [M8340107K5600GGD03](#) [M8340108K4990FGD03](#)
[M8340108K49R9FGD03](#) [M8340108M10R0GGD03](#) [M8340109K2202GGD03](#) [M8340109K5601GCD03](#) [MOX-GRD-001](#) [MOX-SP020](#)
[MOX-SP025E](#) [M8340107K2001GCD03](#) [M8340102M4701GBD04](#) [M8340102K1002GBD04](#) [M8340102K1002GAD04](#)
[M8340109K2002GGD03](#) [M8340108K22R0GGD03](#) [M8340107M5100GGD03](#) [OE1305](#) [WMHP100-R22J](#) [M8340104K39R2FCD03](#)
[M8340106MA012JHD03](#) [M8340107K1003GGD03](#) [MS126-9.09K-0.1%](#) [MS126-249K-0.1%](#) [MS-221-82R5](#) [MOX-750231004DE](#)