

4

3

2

1

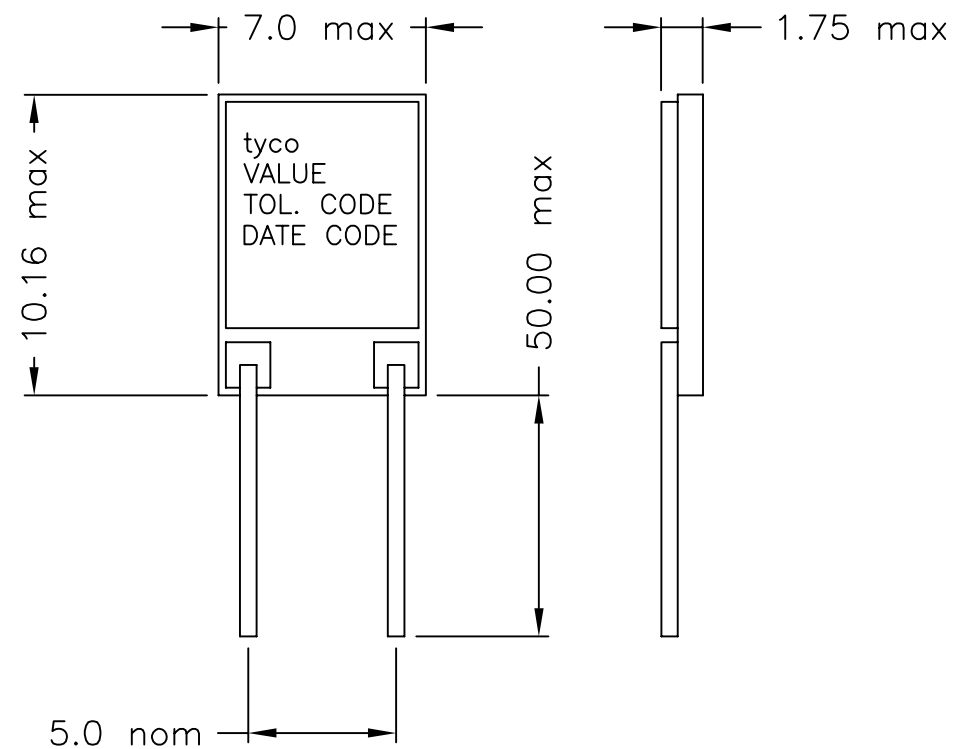
THIS DRAWING IS UNPUBLISHED.

RELEASED FOR PUBLICATION

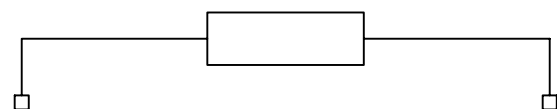
NOV ,2005.

© COPYRIGHT 2005 BY TYCO ELECTRONICS CORPORATION. ALL RIGHTS RESERVED.

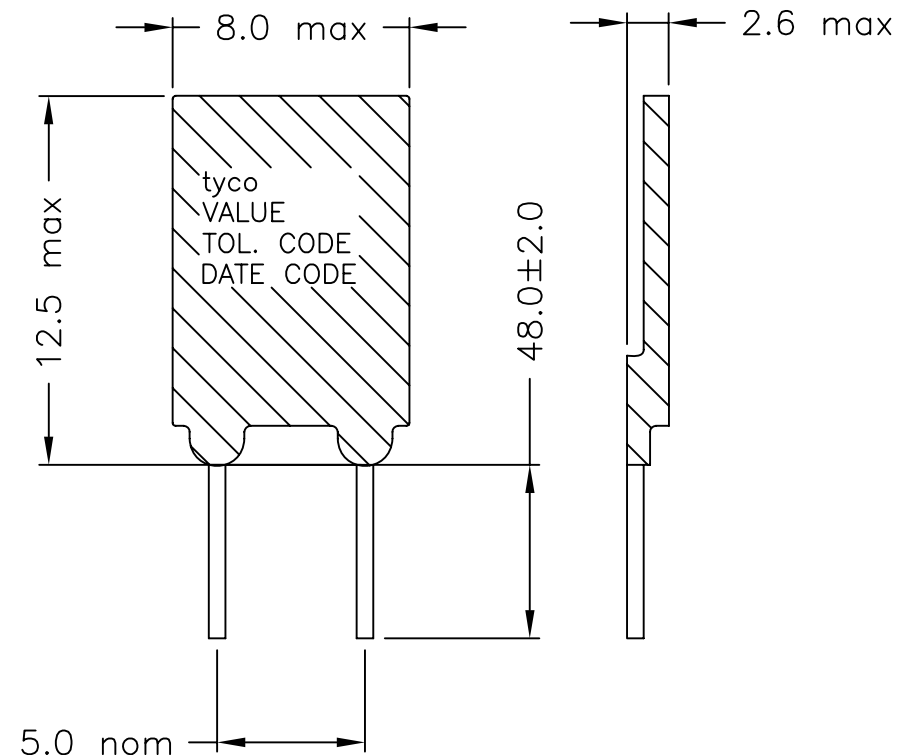
| LOC | DIST | REVISIONS | | | | | |
|-----|------|-----------|-----|---------------|---------|-----|------|
| | | P | LTR | DESCRIPTION | DATE | DWN | APVD |
| E | B | | C | ECR-06-002357 | 30JAN06 | DK | JC |



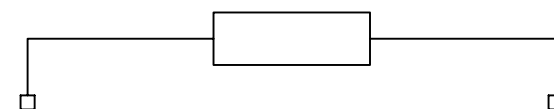
DESCRIPTION: THICK FILM RESISTOR
 LEAD MATERIAL: 0.56 DIA T.C.W.
 HYBRID PROTECTION: SCREEN PRINTED SILICONE COATING
 MARKING: AS SHOWN (TO NON RESISTOR FACE)



RATED DISSIPATION - AT 20°C 0.8W*
 - AT 70°C 0.4W
 OHMIC RANGE 1K - 100K
 MAX WORKING VOLTAGE 240V DC
 TCR 20 - 70°C ±300ppm/°C
 VCR 100 - 1000V DC ΔR<3%
 STABILITY - 100h AT 20°C 0.8W ΔR<2%



DESCRIPTION: THICK FILM HV. RESISTOR
 LEAD MATERIAL: 0.56 DIA T.C.W.
 HYBRID PROTECTION: CONFORMAL EPOXY COATING
 MARKING: AS SHOWN (TO NON RESISTOR FACE)



RATED DISSIPATION - AT 20°C 0.8W*
 - AT 70°C 0.4W
 OHMIC RANGE 1K - 120M*
 MAX WORKING VOLTAGE 1000V DC
 TCR 20 - 70°C ±300ppm/°C
 VCR 100 - 1000V DC ΔR<3%
 STABILITY - 100h AT 20°C 0.8W ΔR<2%

* NOTE: CRITICAL VALUE IS 1.25M. MAX VOLTS AT 1K IS 280V DC

RoHS Compliant

FOR A SPECIFIC PN FOR A RESISTANCE VALUE AND TOLERANCE, PLEASE REFER TO DMF.

| | | | | |
|---|--|----------------------------------|--|--------------------|
| THIS DRAWING IS A CONTROLLED DOCUMENT. | | DWN DAVE KENNEDY 01NOV2005 | Tyco Electronics Corporation Dorcan, Swindon, SN3 5HH | |
| DIMENSIONS: MM | | CHK J CATCHPOLE 02NOC05 | NAME HBA SERIES RESISTOR | |
| | | APVD J CATCHPOLE 02NOV05 | PRODUCT SPEC | |
| TOLERANCES UNLESS OTHERWISE SPECIFIED: | | APPLICATION SPEC | | |
| 0 PLC ± - 1 PLC ± - 2 PLC ± - 3 PLC ± - 4 PLC ± - ANGLES ± - | | SIZE A3 | | |
| MATERIAL | | WEIGHT | | CAGE CODE 00779 |
| FINISH | | DRAWING NO C=1625960 | | RESTRICTED TO |
| | | CUSTOMER DRAWING | | SCALE NTS |
| | | SHEET 1 OF 1 | | REV C |

X-ON Electronics

Largest Supplier of Electrical and Electronic Components

Click to view similar products for [Thick Film Resistors - Through Hole](#) category:

Click to view products by [TE Connectivity](#) manufacturer:

Other Similar products are found below :

[M8340104M4701GCD03](#) [M8340105K3300GGD03](#) [M8340105K3922FGD03](#) [M8340106K1002JCD03](#) [M8340107K1002GGD03](#)
[M8340107K1152FGD03](#) [M8340107K2701GCD03](#) [M8340107M2002GCD03](#) [M8340108K1000GCD03](#) [M8340108K5601GCD03](#)
[M8340108M2203GCD03](#) [M8340109K1002JCD03](#) [M8340109K1003GCD03](#) [M8340109K5101GGD03](#) [FHV05010M0FKRB](#) [MOX-2-125005F](#) [MP850-3.00-1%](#) [hte24511kf](#) [SM-SP093](#) [ARC3.11 2M J A](#) [M8340105K1001GCD03](#) [M8340105K3002GGD03](#)
[M8340105M1002JGD03](#) [M8340107K2001GGD03](#) [M8340107K4701GGD03](#) [M8340107K5101GGD03](#) [M8340107K5600GGD03](#)
[M8340108K4990FGD03](#) [M8340108K49R9FGD03](#) [M8340108M10R0GGD03](#) [M8340109K2202GGD03](#) [M8340109K5601GCD03](#) [MOX-GRD-001](#) [MOX-SP020](#) [MOX-SP025E](#) [M8340107K2001GCD03](#) [M8340102M4701GBD04](#) [M8340102K1002GBD04](#)
[M8340102K1002GAD04](#) [M8340109K2002GGD03](#) [M8340108K22R0GGD03](#) [M8340107M5100GGD03](#) [OE1305](#) [WMHP100-R22J](#)
[M8340104K39R2FCD03](#) [M8340106MA012JHD03](#) [M8340107K1003GGD03](#) [MS126-9.09K-0.1%](#) [MS126-249K-0.1%](#) [MS-221-82R5](#)