

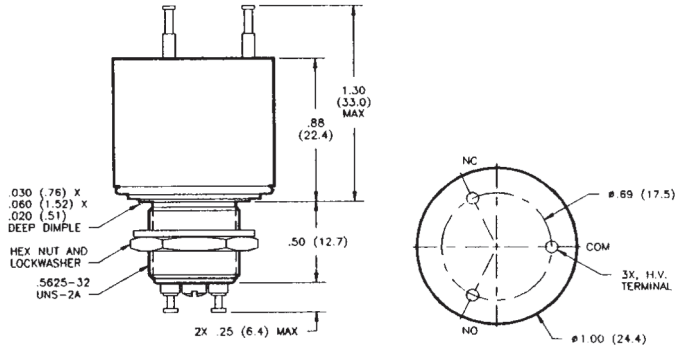
HC Series — 8 kV Relays

HC-2
No Load Switching

HC-4
Make & Break Load Switching

Product Facts for HC-2

- Vacuum dielectric and copper contacts for high current carry rating of 25 Amps
- Not designed for power switching
- Stable, low contact resistance
- Meets requirements of MIL-R-83725



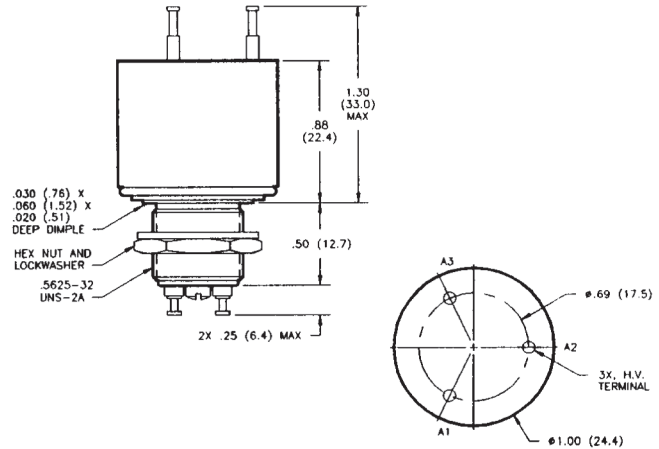
Product Facts for HC-4

- Tungsten contacts for long life in power switching applications
- Meets requirements of MIL-R-83725
- Vacuum dielectric for arc suppression when making or breaking a load

HC-6
Make Only Load Switching

Product Facts for HC-6

- Tungsten contacts for switching high in-rush loads
- SF-6 gas-filled for capacitive discharge applications
- Suitable for ESD testing applications
- Tungsten contacts for long life in power switching applications



Product Specifications for HC-2, HC-4 and HC-6

Contact Arrangement — SPDT
Contact Form — C
Test Voltage, DC or 60 Hz (Peak) — 10 kV
Rated Operating Voltage (Peak) — DC or 60 Hz — 8 kV
Continuous Carry Current, Max. — DC or 60 Hz — HC-2 — 25 A RMS
 HC-4 — 15 A RMS
 HC-6 — 8 A RMS
 Coil Hi-Pot (Vrms, 60 Hz) — 500 A RMS

Contact Capacitance —
 Between Open Contacts — N/A
 Open Contacts to Ground — N/A
Contact Resistance, Max. —
 HC-2 — 0.01 ohm
 HC-4 — 0.02 ohm
 HC-6 — 0.5 ohm*

Operate Time, Max. — 6 ms
Release Time, Max. — 6 ms

Shock, 11ms, 1/2 Sine (Peak) — 50 g

Vibration —
 Peak — 10 g (55 to 2000 Hz)

Operating Ambient Temperature Range — -55°C to +125°C

Mechanical Life —
 HC-2 and HC-4 — 2 million cycles
 HC-6 — 1 million cycle

Weight, Nominal — 39.69 g (1.4 oz.)

*Contact resistance for gas-filled relays is measured at 28 Vdc, 1 Amp

For factory-direct application assistance, dial 800-253-4560, ext. 2055, or 805-220-2055.

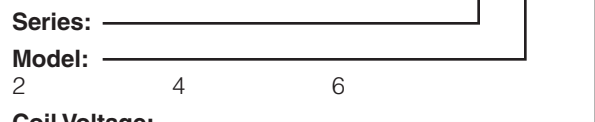
Coil Data

Nominal Volts DC	12 Vdc	26.5 Vdc	115 Vdc
Pickup, Max.	8 Vdc	16 Vdc	80 Vdc
Dropout	.5-5 Vdc	1-10 Vdc	5-50 Vdc
Coil Resistance (±10%)	80 Ω	335 Ω	6000 Ω

Ratings listed are for 25°C, sea level conditions

Ordering Information

Sample Part Number ▶ HC- 6 /12Vdc



Coil Voltage:
 Blank = 26.5 Vdc
 /12Vdc = 12 Vdc
 /115Vdc = 115 Vdc

X-ON Electronics

Largest Supplier of Electrical and Electronic Components

Click to view similar products for [General Purpose Relays](#) category:

Click to view products by [TE Connectivity](#) manufacturer:

Other Similar products are found below :

[APF30318](#) [JVN1AF-4.5V-F](#) [PCN-105D3MHZ](#) [5JO-10000S-SIL](#) [5JO-1000CD-SIL](#) [5JO-400CD-SIL](#) [LY2S-AC220/240](#) [LYQ20DC12](#)
[6031007G](#) [6131406HQ](#) [6-1393099-8](#) [6-1393122-4](#) [6-1393123-2](#) [6-1393767-1](#) [6-1393843-7](#) [6-1415012-1](#) [6-1419102-2](#) [6-1423698-4](#) [6-](#)
[1608051-6](#) [6-1608067-0](#) [6-1616170-6](#) [6-1616248-2](#) [6-1616282-3](#) [6-1616348-2](#) [6-1616349-9](#) [6-1616350-1](#) [6-1616350-8](#) [6-1616358-7](#) [6-](#)
[1616359-9](#) [6-1616360-9](#) [6-1616931-6](#) [6-1617039-1](#) [6-1617052-1](#) [6-1617090-2](#) [6-1617090-5](#) [6-1617347-5](#) [6-1617353-3](#) [6-1617801-8](#) [6-](#)
[1618107-9](#) [6-1618248-4](#) [CX-4014](#) [MAHC-5494](#) [MAVCD-5419-6](#) [703XCX-120A](#) [7-1393100-5](#) [7-1393111-7](#) [7-1393767-8](#) [7-1414968-8](#) [7-](#)
[1419130-3](#) [7-1608047-2](#)