

# High Voltage Vacuum Relay

## Features

### Physical:

- Hermetically Sealed: arc contained
- Maintenance free

### Environmental:

- Temperature range -55°C to 125°C
- 50G Shock

### Ratings:

- Make and break load switching
- Meets requirements of MIL-R-83725
- 8 kVdc
- 15 Adc carry

### Coil Voltage:

- 12, 26.5, 115 Vdc Standard



**CI Technologies**™  
advanced control electronic solutions

P.O. Box 4422, Santa Barbara, CA 93140  
Phone (805) 684-4560 Fax (805) 684-9679

E-Mail: [info@ciitech.com](mailto:info@ciitech.com)

Internet: <http://www.ciitech.com/>

TITLE

**High Voltage Vacuum Relay**

PREP. BY JP 2/24/82

CHKD. BY RDM 2/24/82

DWG NO.

**HC-4 SERIES**

CAGE CODE

18741

SCALE

NA

SHEET

1 of 5

ENC APPV/

LI

2/24/82

## General Specifications

K

### Physical Data

### Units

Contact Arrangement		SPDT
Form		C
Weight	oz	1.4

### Environmental Data

Shock, 11ms ½ sine	$g_{peak}$	50
Vibration, 10 $g_{peak}$	Hz	55-2000
Operating Temperature Range	°C	-55 to +125

### Electrical Data

Test Voltage (dc or 60 Hz)	$kV_{peak}$	10
Rated Operating Voltage (dc or 60 Hz)	$kV_{peak}$	8
Coil Hi-Pot	$V_{rms}$	500
Continuous Current Carry, Contacts Closed (dc or 60 Hz)	A	15
Contact Resistance, maximum	Ohms	0.020
Mechanical Life	cycles	1,000,000

### Mechanical Data

Operate Time, Maximum	ms	6
Release Time, Maximum	ms	6

1. RATINGS LISTED ARE FOR 25 °C SEA LEVEL CONDITIONS.
2. RELAY BASE MUST BE GROUNDED.



P.O. Box 4422, Santa Barbara, CA 93140  
 Phone: (805) 684-4560 Fax: (805) 684-9679  
 E-Mail: [info@ciitech.com](mailto:info@ciitech.com)  
 Internet: <http://www.ciitech.com>

## HC-4 SERIES

THIRD ANGLE PROJECTION



THIS DRAWING  
PREPARED IN  
ACCORDANCE WITH

CAGE CODE

10744

SCALE

...

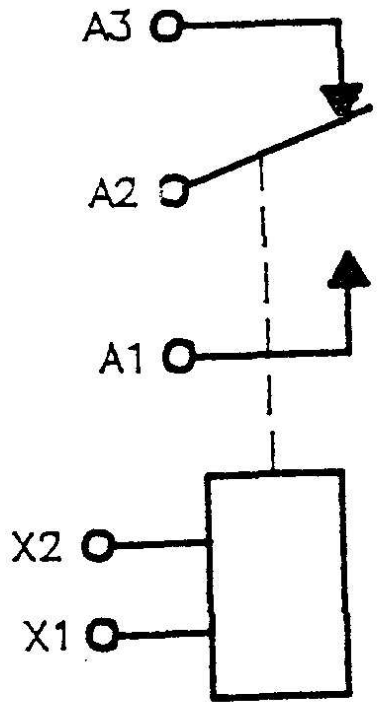
SHEET

0 of 5

Coil Data

	Units	HC-4/12VDC	HC-4	HC-4/115VDC
Coil Voltage, nominal	Vdc	12	26.5	115
Pickup Voltage, maximum	Vdc	8	16	80
Drop-out Voltage	Vdc	.5-5	1-10	5-50
Coil Resistance (± 10%)	Ω	80	335	6000

Schematic



P.O. Box 4422, Santa Barbara, CA 93140  
 Phone: (805) 684-4560 Fax: (805) 684-9679  
 E-Mail: [info@ciitech.com](mailto:info@ciitech.com)  
 Internet: <http://www.ciitech.com>

**HC-4 SERIES**

THIRD ANGLE PROJECTION



THIS DRAWING  
 PREPARED IN  
 ACCORDANCE WITH

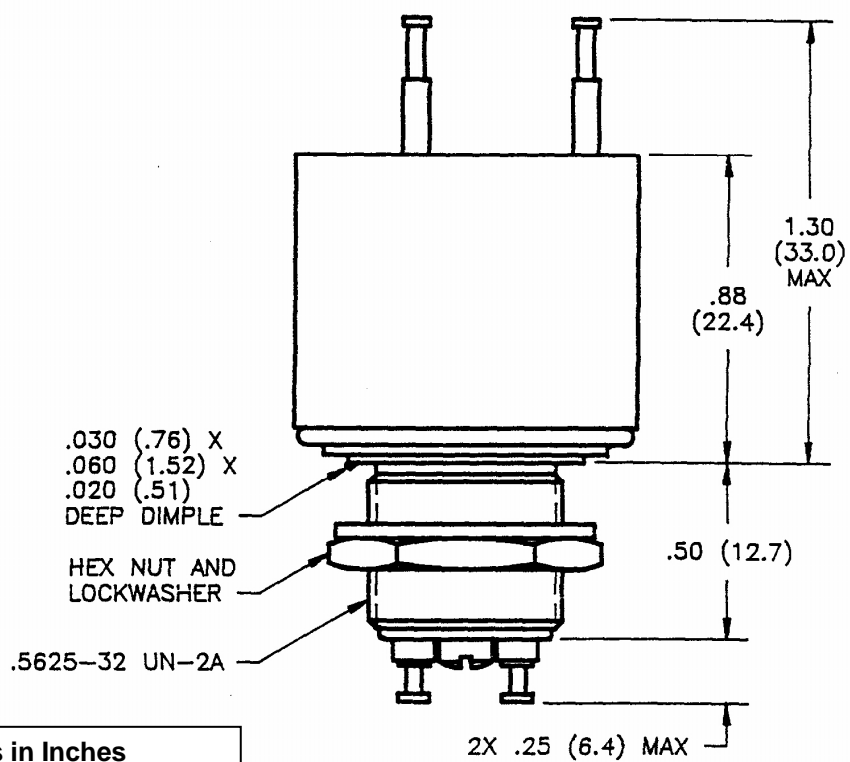
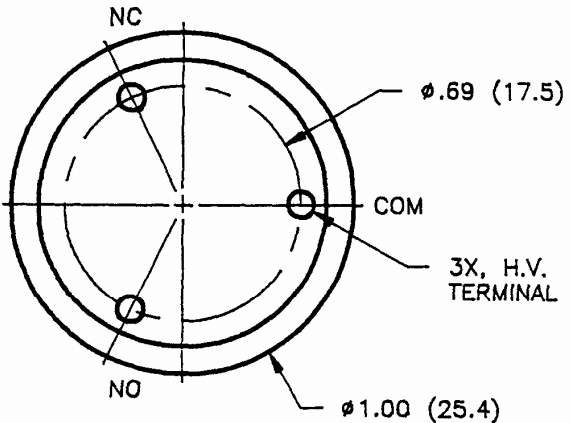
CAGE CODE

SCALE

SHEET

**Part Drawing**

**K**



**Dimensions in Inches**  
 (Dimensions in Parentheses are in Millimeters)  
 Tolerances except as noted  
 .xx = ±.03  
 .xxx = ±.010  
 ∠ x° = ± 2°  
 DO NOT SCALE DWG.



P.O. Box 4422, Santa Barbara, CA 93140  
 Phone: (805) 684-4560 Fax: (805) 684-9679  
 E-Mail: [info@ciitech.com](mailto:info@ciitech.com)  
 Internet: <http://www.ciitech.com>

**HC-4 SERIES**

THIRD ANGLE PROJECTION



THIS DRAWING PREPARED IN ACCORDANCE WITH

CAGE CODE      SCALE      SHEET

## Revisions

REV.	DESCRIPTION	DATE	APP.	
A	Initial Release	ECO 6285	82/02/24	RDM
B	Revised Pages 1 and 2	ECO 6394	82/07/06	HJ
C	Revised Pages 1 and 4	ECO 7030	84/11/02	RG
D	Revised Pages 1 and 2	ECO 7369	86/02/13	RG
E	Revised Pages 1 and 4	ECO 7702	87/05/08	DKP
F	Revised Pages 1 and 2	ECO 7815	87/10/01	RG
G	Revised Pages 1 and 4	ECO 8570	91/01/11	RG
H	Revised Pages 1 and 4	ECO 8947	93/04/02	RG
J	Revised Pages 1 and 4	ECO 9018	93/05/18	RG
K	New Template	DCO 11856	99-09-21	RJG



P.O. Box 4422, Santa Barbara, CA 93140  
 Phone: (805) 684-4560 Fax: (805) 684-9679  
 E-Mail: [info@ciitech.com](mailto:info@ciitech.com)  
 Internet: <http://www.ciitech.com>

## HC-4 SERIES

THIRD ANGLE PROJECTION



THIS DRAWING  
 PREPARED IN  
 ACCORDANCE WITH

CAGE CODE

10744

SCALE

...

SHEET

1 of 1

## X-ON Electronics

Largest Supplier of Electrical and Electronic Components

*Click to view similar products for [Industrial Relays](#) category:*

*Click to view products by [TE Connectivity](#) manufacturer:*

Other Similar products are found below :

[6-1617801-8](#) [6-1618107-9](#) [7-1618273-3](#) [EV250-4A-02](#) [EV250-6A-01](#) [FCA-125-CX8](#) [FCA-325-159](#) [FCA-410-138](#) [8000-S3121](#) [8-1618273-6](#)  
[8-1618393-1](#) [GCA63A220VAC60HZ](#) [GCA63A277VAC60HZ](#) [GCA63A600VAC60HZ](#) [1-1672275-3](#) [1-1833005-4](#) [H-16/S1](#) [A711Z](#) [H-8C](#)  
[H-8/S11](#) [H-8/S68](#) [ACC530U20](#) [ACC730U30](#) [RF303ZM4-12](#) [DH18DA](#) [1423675-8](#) [AR4-15F13-C01](#) [AR7-41F11](#) [AVR907](#) [15732A200](#)  
[B07B032AC1-0329](#) [B329](#) [B490A](#) [1618279-1](#) [BHR124Y](#) [1810DDB-SX](#) [N417](#) [P30C42A12D1-120](#) [2-1617748-6](#) [2-1618375-1](#) [2-1618396-6](#)  
[2-1618398-1](#) [JMAPD-5XL](#) [JMGACD-5M](#) [JMGSC-5LW](#) [JMGSCD-5L](#) [PBO-18A1218](#) [PBO-40A3040](#) [K8DSPH1200480VAC](#) [KA-3C-12A](#)