



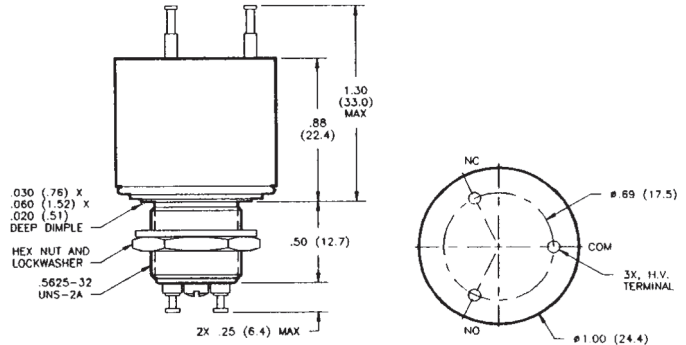
**HC Series — 8 kV Relays**

**HC-2**  
No Load Switching

**HC-4**  
Make & Break Load Switching

**Product Facts for HC-2**

- Vacuum dielectric and copper contacts for high current carry rating of 25 Amps
- Not designed for power switching
- Stable, low contact resistance
- Meets requirements of MIL-R-83725



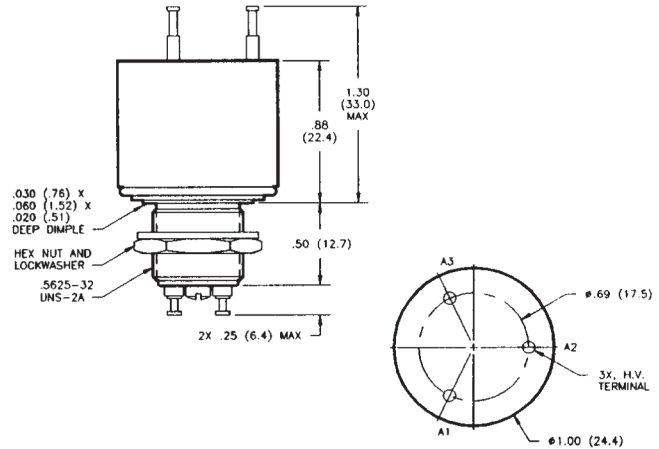
**Product Facts for HC-4**

- Tungsten contacts for long life in power switching applications
- Meets requirements of MIL-R-83725
- Vacuum dielectric for arc suppression when making or breaking a load

**HC-6**  
Make Only Load Switching

**Product Facts for HC-6**

- Tungsten contacts for switching high in-rush loads
- SF-6 gas-filled for capacitive discharge applications
- Suitable for ESD testing applications
- Tungsten contacts for long life in power switching applications



**Product Specifications for HC-2, HC-4 and HC-6**

**Contact Arrangement** — SPDT  
**Contact Form** — C  
**Test Voltage, DC or 60 Hz (Peak)** — 10 kV  
**Rated Operating Voltage (Peak)** — DC or 60 Hz — 8 kV  
**Continuous Carry Current, Max.** — DC or 60 Hz — HC-2 — 25 A RMS  
 HC-4 — 15 A RMS  
 HC-6 — 8 A RMS  
 Coil Hi-Pot (Vrms, 60 Hz) — 500 A RMS

**Contact Capacitance** —  
 Between Open Contacts — N/A  
 Open Contacts to Ground — N/A  
**Contact Resistance, Max.** —  
 HC-2 — 0.01 ohm  
 HC-4 — 0.02 ohm  
 HC-6 — 0.5 ohm\*

**Operate Time, Max.** — 6 ms  
**Release Time, Max.** — 6 ms

**Shock, 11ms, 1/2 Sine (Peak)** — 50 g

**Vibration** —  
 Peak — 10 g (55 to 2000 Hz)

**Operating Ambient Temperature Range** — -55°C to +125°C

**Mechanical Life** —  
 HC-2 and HC-4 — 2 million cycles  
 HC-6 — 1 million cycle

**Weight, Nominal** — 39.69 g (1.4 oz.)

\*Contact resistance for gas-filled relays is measured at 28 Vdc, 1 Amp

For factory-direct application assistance, dial 800-253-4560, ext. 2055, or 805-220-2055.

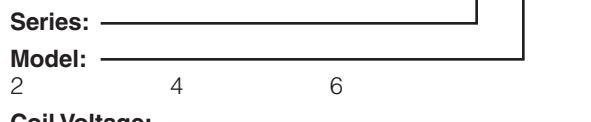
**Coil Data**

Nominal Volts DC	12 Vdc	26.5 Vdc	115 Vdc
Pickup, Max.	8 Vdc	16 Vdc	80 Vdc
Dropout	.5-5 Vdc	1-10 Vdc	5-50 Vdc
Coil Resistance (±10%)	80 Ω	335 Ω	6000 Ω

Ratings listed are for 25°C, sea level conditions

**Ordering Information**

**Sample Part Number** ▶ HC- 6 /12Vdc



**Coil Voltage:**  
 Blank = 26.5 Vdc  
 /12Vdc = 12 Vdc  
 /115Vdc = 115 Vdc

## X-ON Electronics

Largest Supplier of Electrical and Electronic Components

*Click to view similar products for [Industrial Relays](#) category:*

*Click to view products by [TE Connectivity](#) manufacturer:*

Other Similar products are found below :

[6-1617801-8](#) [6-1618107-9](#) [7-1618273-3](#) [EV250-4A-02](#) [EV250-6A-01](#) [FCA-125-CX8](#) [FCA-325-159](#) [FCA-410-138](#) [8000-S3121](#) [8-1618273-6](#)  
[8-1618393-1](#) [GCA63A220VAC60HZ](#) [GCA63A277VAC60HZ](#) [GCA63A600VAC60HZ](#) [1-1672275-3](#) [1-1833005-4](#) [H-16/S1](#) [A711Z](#) [H-8C](#)  
[H-8/S11](#) [H-8/S68](#) [ACC530U20](#) [ACC730U30](#) [RF303ZM4-12](#) [DH18DA](#) [1423675-8](#) [AR4-15F13-C01](#) [AR7-41F11](#) [AVR907](#) [15732A200](#)  
[B07B032AC1-0329](#) [B329](#) [B490A](#) [1618279-1](#) [BHR124Y](#) [1810DDB-SX](#) [N417](#) [P30C42A12D1-120](#) [2-1617748-6](#) [2-1618375-1](#) [2-1618396-6](#)  
[2-1618398-1](#) [JMAPD-5XL](#) [JMGACD-5M](#) [JMGSC-5LW](#) [JMGSCD-5L](#) [PBO-18A1218](#) [PBO-40A3040](#) [K8DSPH1200480VAC](#) [KA-3C-12A](#)