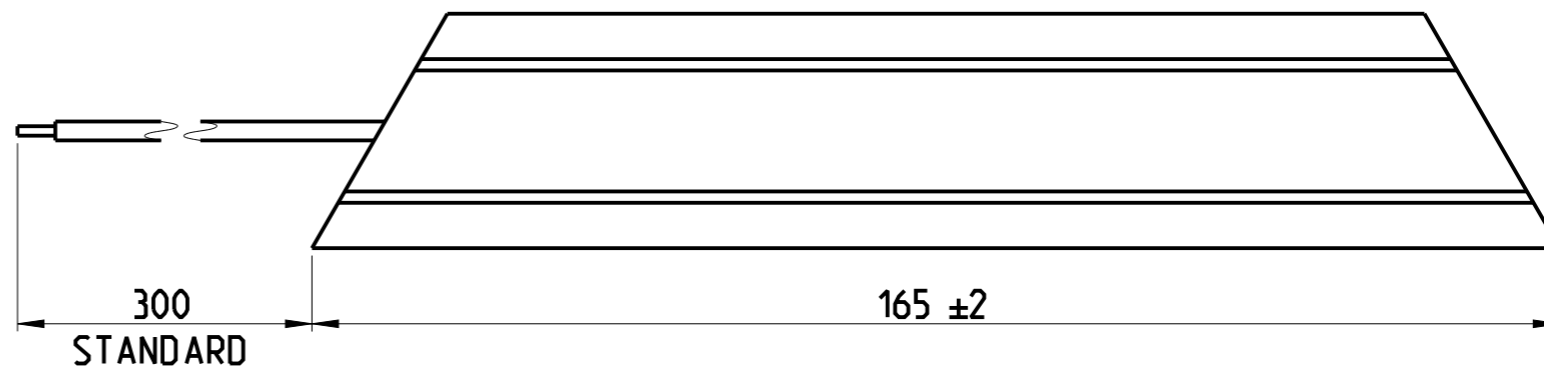
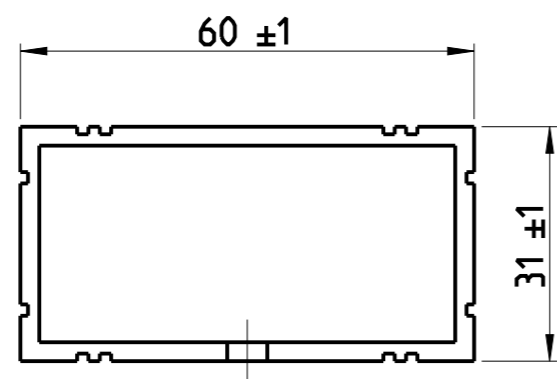
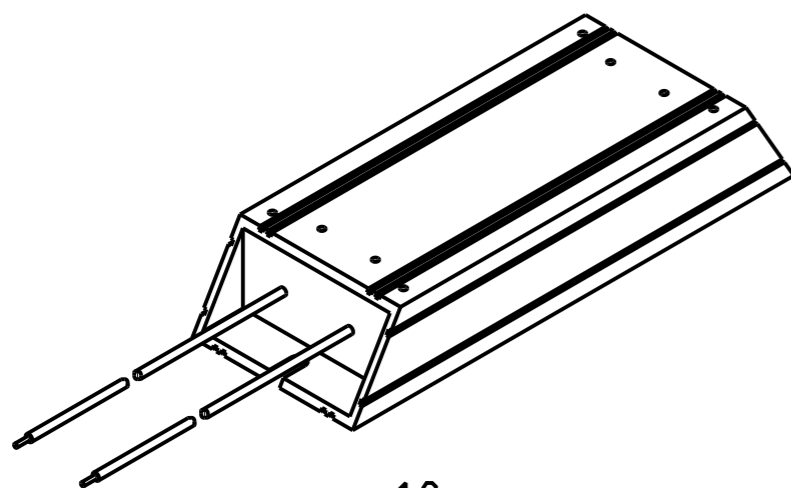
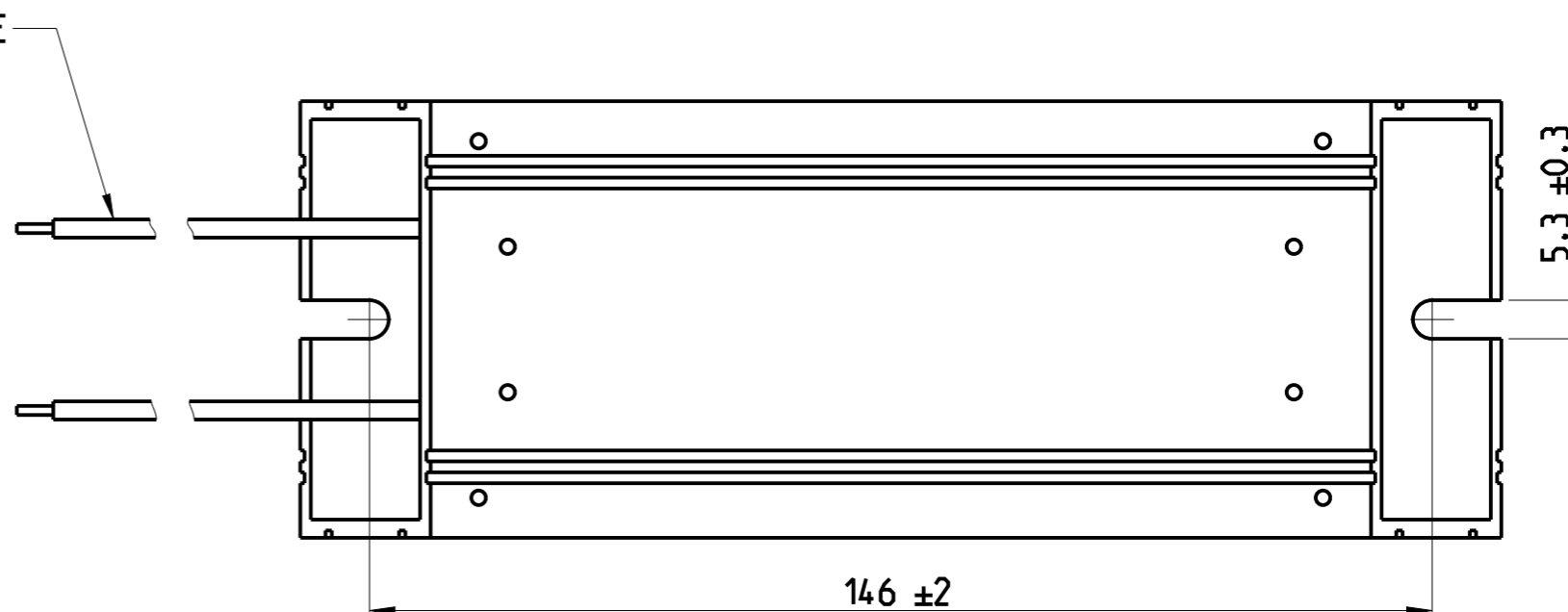


REVISIONS

P	LTR	DESCRIPTION	DATE	DWN	APVD
	A	INITIAL RELEASE	06FEB2021	SR	AP



PTFE INSULATED CABLE



1:2
ISO

THIS DRAWING IS A CONTROLLED DOCUMENT.		DWN SUPREETH R 06FEB2021		
		CHK A. PILE 06FEB2021		
		APVD A. PILE 06FEB2021	NAME Aluminium Housed Breaking Resistor Type HCH165	
DIMENSIONS: mm		PRODUCT SPEC -	RESTRICTED TO -	
TOLERANCES UNLESS OTHERWISE SPECIFIED:		APPLICATION SPEC -	SIZE A3	CAGE CODE 00779
0 PLC Ψ		WEIGHT -	DRAWING NO C-2176463	
1 PLC Ψ				
2 PLC Ψ				
3 PLC Ψ				
4 PLC Ψ				
ANGLES Ψ				
MATERIAL -			SCALE 1:1	SHEET 1 OF 2
FINISH -				REV A
CUSTOMER DRAWING				


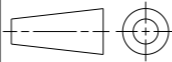
© 2021 TE Connectivity. All Rights Reserved.

REVISIONS

P	LTR	DESCRIPTION	DATE	DWN	APVD
-		SEE SHEET 1	-	-	-

SCHEDULE

TCPN	PRODUCT NUMBER	MATERIAL DESCRIPTION	LEAD LENGTH
2176463-1	HCH165J6R8J	HCH165 200W 6R8 5% LEAD	300mm
2176463-2	HCH165J10RJ	HCH165 200W 10R 5% LEAD	300mm
2176463-3	HCH165J22RJ	HCH165 200W 22R 5% LEAD	300mm
2176463-4	HCH165J33RJ	HCH165 200W 33R 5% LEAD	300mm
2176463-5	HCH165J47RJ	HCH165 200W 47R 5% LEAD	300mm
2176463-6	HCH165J68RJ	HCH165 200W 68R 5% LEAD	300mm
2176463-7	HCH165J82RJ	HCH165 200W 82R 5% LEAD	300mm
2176463-8	HCH165J100RJ	HCH165 200W 100R 5% LEAD	300mm
2176463-9	HCH165J220RJ	HCH165 200W 220R 5% LEAD	300mm

THIS DRAWING IS A CONTROLLED DOCUMENT.		DWN SUPREETH R 06FEB2021	 TE Connectivity		
DIMENSIONS: mm		CHK A. PILE 06FEB2021			
		APVD A. PILE 06FEB2021	NAME Aluminium Housed Breaking Resistor Type HCH165		
TOLERANCES UNLESS OTHERWISE SPECIFIED: 0 PLC ± 1 PLC ± 2 PLC ± 3 PLC ± 4 PLC ± ANGLES ±		PRODUCT SPEC -	RESTRICTED TO -		
MATERIAL -		APPLICATION SPEC -	SIZE A3	CAGE CODE 00779	DRAWING NO C-2176463
FINISH -		WEIGHT -	SCALE 1:1		SHEET 2 OF 2
CUSTOMER DRAWING			REV A		

X-ON Electronics

Largest Supplier of Electrical and Electronic Components

Click to view similar products for [Wirewound Resistors - Chassis Mount](#) category:

Click to view products by [TE Connectivity](#) manufacturer:

Other Similar products are found below :

[HD300HLR71J](#) [RER50F18R7RC02](#) [RER50F7R50RC02](#) [RER75F4991MC02](#) [RH0055R000FC02W09](#) [2-1623821-6](#) [FVT200-500](#)
[RDSF010015R00JDBNI](#) [RER60F34R8RC02](#) [RER60F51R1MC0230](#) [RER65F1R50PC02](#) [RER70F62R5PC02](#) [VK100NA-200](#) [VK100NA-50](#)
[VK100NA-750](#) [40/70MJ2K00BE](#) [VP10FA-3K](#) [VP50KA-20K](#) [VPR10F1](#) [VPR10F-13.5K](#) [VPR10F-4500](#) [VPR10F-4.5K](#) [VPR10F-4K](#)
[VPR10F-700](#) [VPR10F-7.5K](#) [VPR20H150](#) [VPR5F-22.5K](#) [L75J1K0E](#) [VRH320 3K3 K](#) [RER65F2940PC02](#) [RER75F1R00RC02](#)
[RER70F27R4P](#) [VPR5F-600](#) [VPR5F250](#) [VPR10F-8K](#) [VPR10F-6K](#) [VPR10F225](#) [VPR10F-1.75K](#) [VPR10F-1.25K](#) [VPR10F-125](#) [VPR10F10](#)
[VP50KA-12K](#) [VP50KA-100K](#) [VP25KA-5000](#) [VK100NA250](#) [VK100NA-15](#) [620-5R00-FBW](#) [L100J150E-MT1](#) [L50J500E-MT1](#) [VPR10F-8.5K](#)